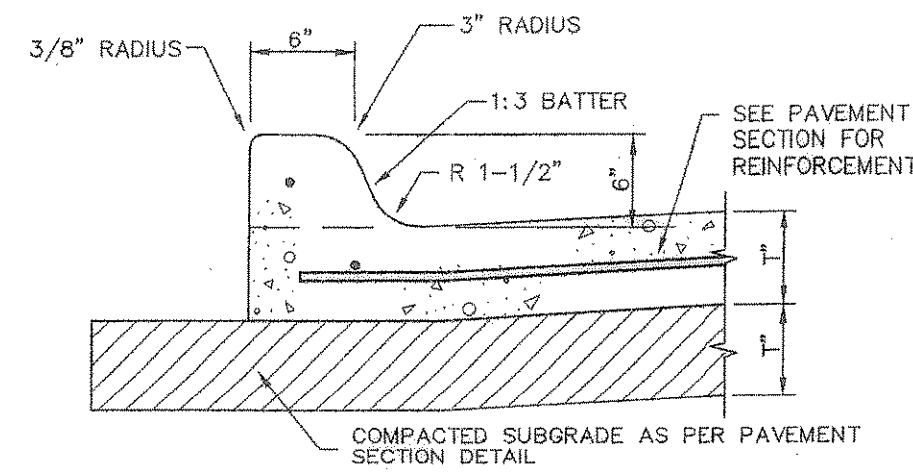
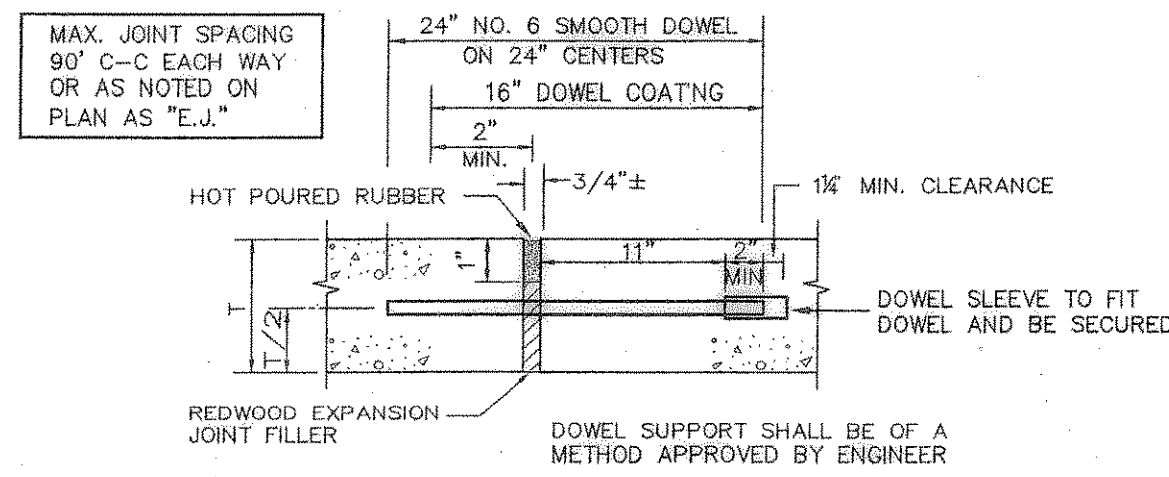


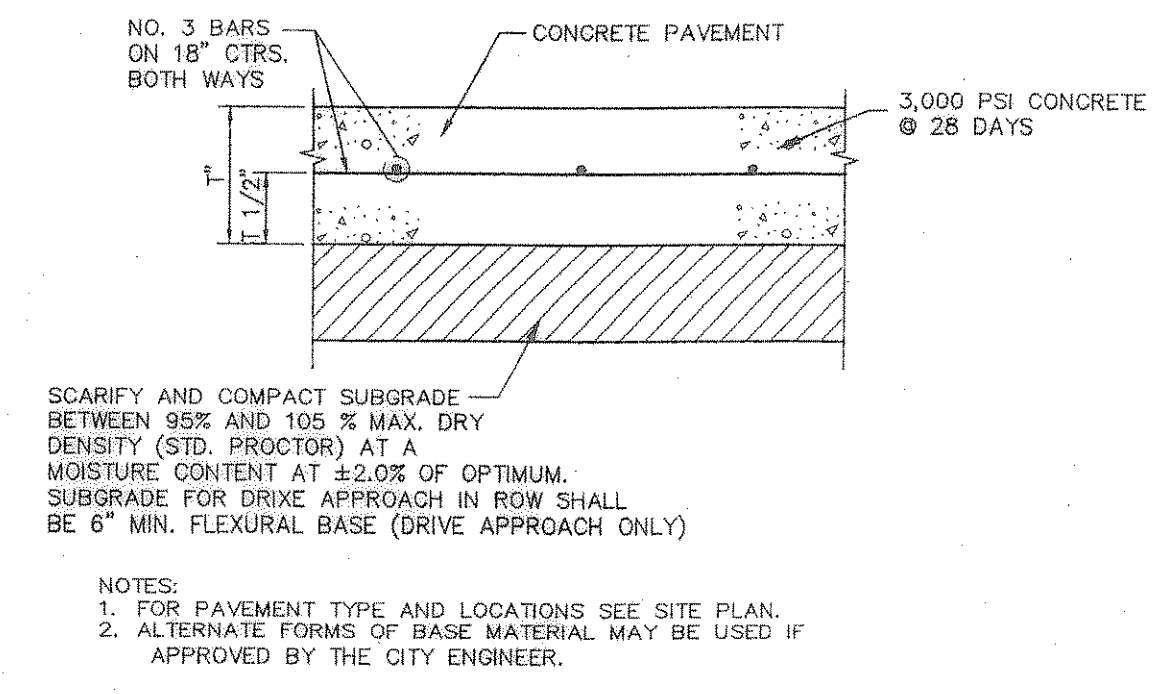
1 PAVEMENT CONNECTION
NOT TO SCALE



2 INTEGRAL CURB
NOT TO SCALE

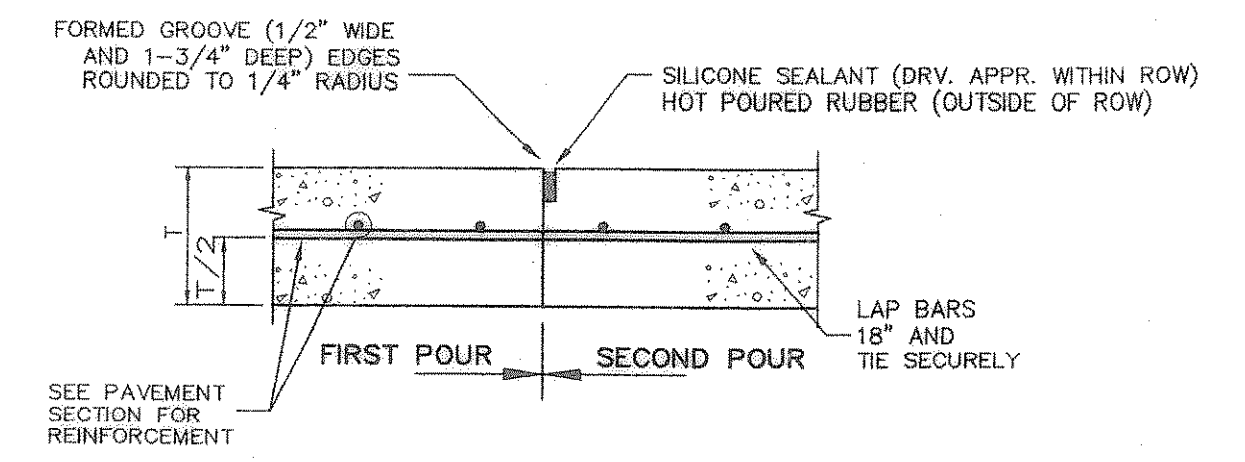


3 EXPANSION JOINT
NOT TO SCALE

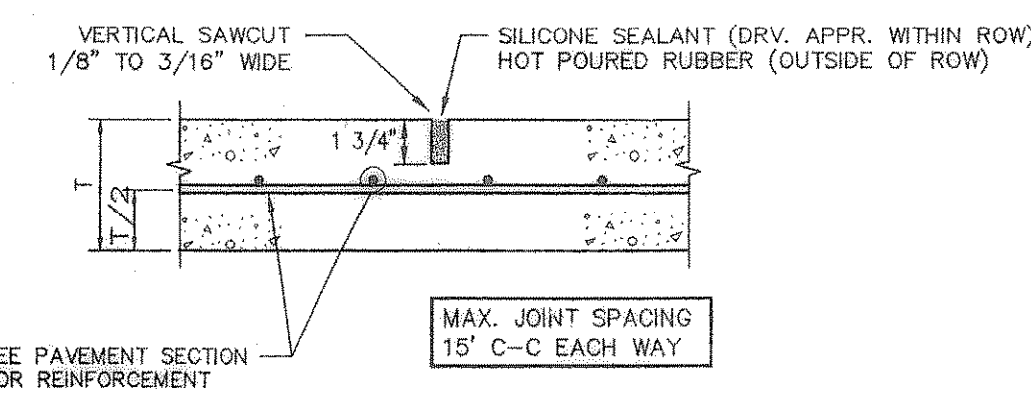


NOTES:
1. FOR PAVEMENT TYPE AND LOCATIONS SEE SITE PLAN.
2. ALTERNATE FORMS OF BASE MATERIAL MAY BE USED IF APPROVED BY THE CITY ENGINEER.

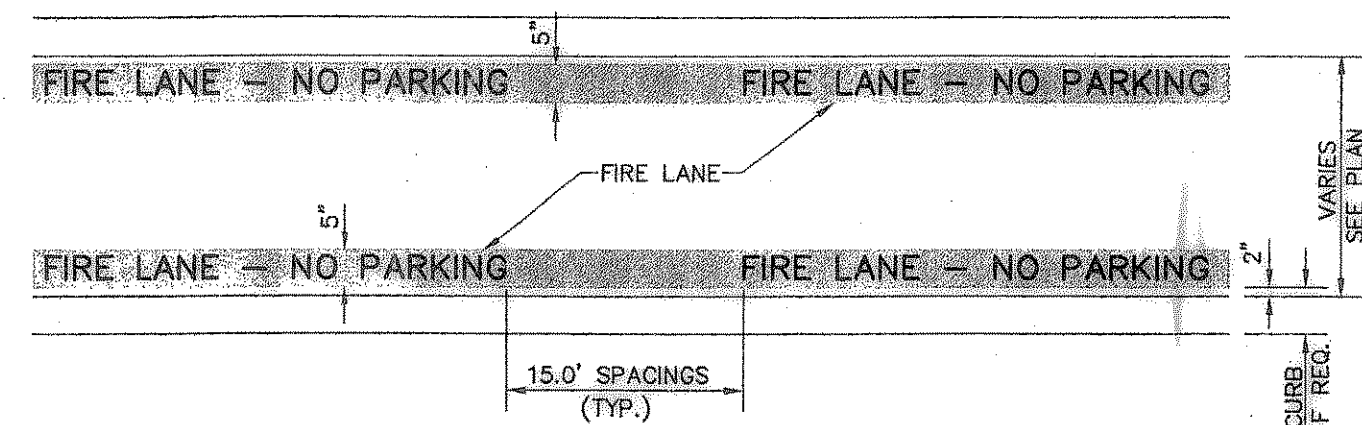
4 PAVEMENT SECTION
NOT TO SCALE



5 CONSTRUCTION JOINT
NOT TO SCALE



6 SAWED DUMMY JOINT
NOT TO SCALE

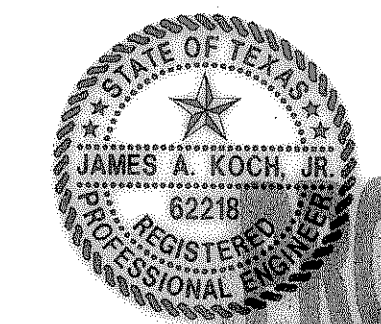


GENERAL NOTE:
A. STRIPING TO BE DONE IN ACCORDANCE WITH CITY STANDARDS.

STRIPING DETAIL NOTE:
A. PAINT:
1. STRIPE SHALL BE FIVE (5) INCHES WIDE PAINTED WITH AN EXTERIOR ACRYLIC LATEX PAINT.
A. COLOR SHALL BE "TRAFFIC RED" GULDEN NO. 63251 OR EQUAL.
2. LETTERS SHALL BE FOUR (4) INCHES HIGH PAINTED WITH AN EXTERIOR ACRYLIC LATEX PAINT.
B. COLOR SHALL BE "TRAFFIC WHITE" GULDEN NO. 563245 OR EQUAL.

B. APPLICATION:
1. STRIPE MAY BE BRUSHED OR SPRAYED, ONE COAT TO FINISH.
2. LETTERS SHALL BE STENCIL FORMED, BRUSH APPLIED AND SPACED AS DETAILED ON THIS SHEET.

7 FIRE LANE STRIPING
NOT TO SCALE



THIS DOCUMENT IS RELEASED FOR THE PURPOSE OF INTERIM REVIEW UNDER THE AUTHORITY OF JAMES A. KOCH, JR., P.E. 62216 ON 08/28/01. IT IS NOT TO BE USED FOR CONSTRUCTION, BIDDING OR PERMIT PURPOSES.

Pacheco Koch Consulting Engineers 9401 LBJ FREEWAY SUITE 300 DALLAS, TEXAS 75243 972.235.3031						
PAVING DETAILS LAKESIDE CHEVROLET 2005 SOUTH GOLIAD STREET JOSEPH CADLE SURVEY, ABST NO.65 CITY OF ROCKWALL, TEXAS						
DESIGN	DRAWN	DATE	SCALE	NOTES	FILE	NO.
CJE	RRL	AUG. 28 2001	1"=40'			C6.1