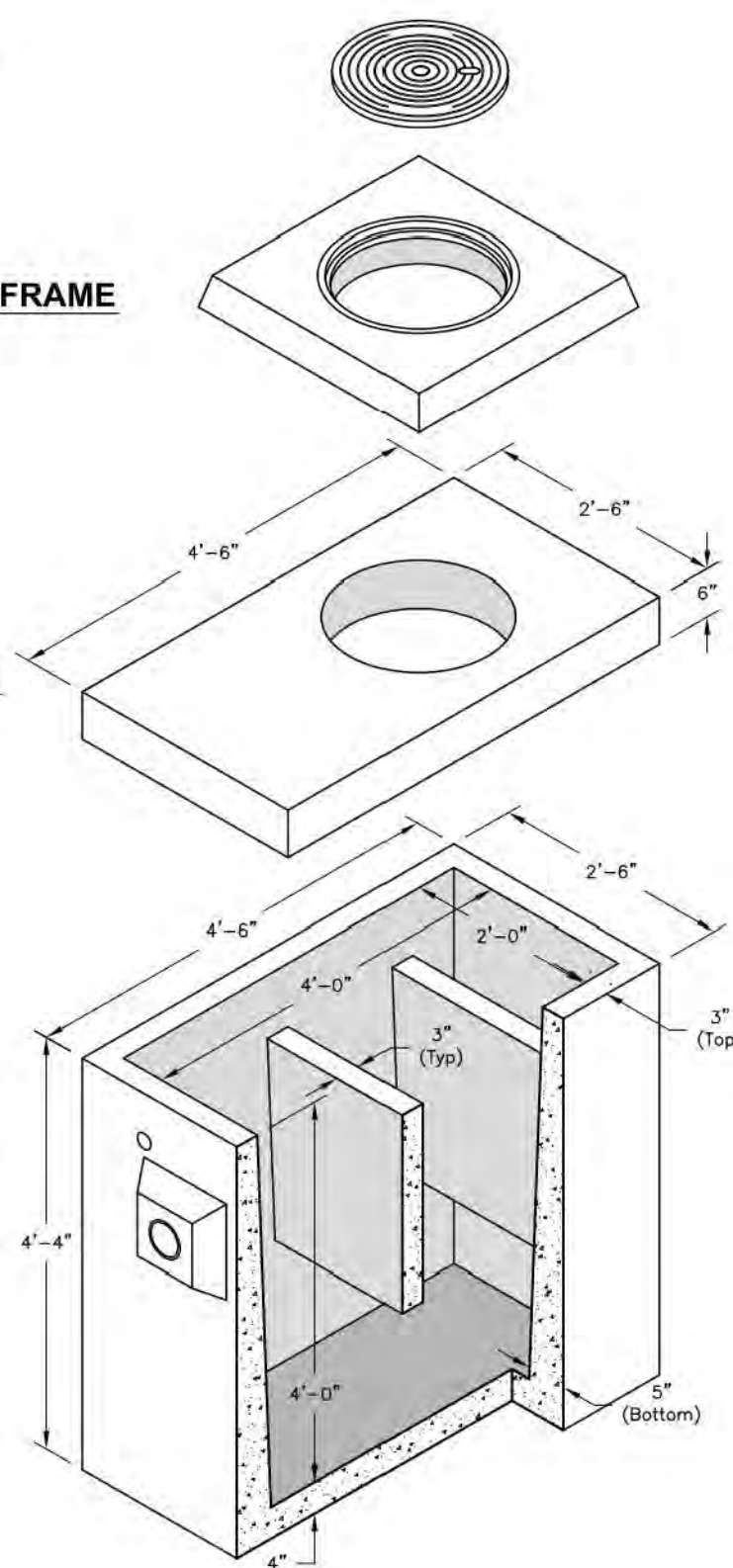


19" Ø C.I. COVER
Weight - 55 Lbs.
Item# - 7102600

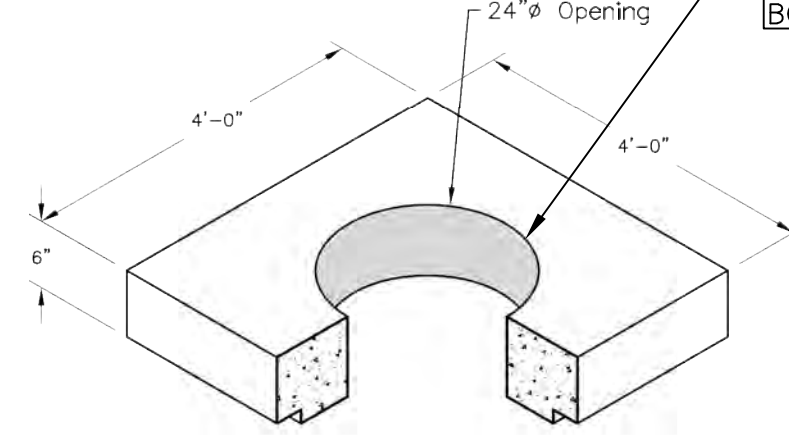
4" EXTENSION W/ FRAME
Weight - 150 Lbs.
Item# - 1242160

O.I. BASIN COVER
Weight - 750 Lbs.
Item# - 1241800

O.I. BASIN BODY
Weight - 3600 Lbs.
Item# - 1241760



USE BASS & HAYS BH280-24 RING WITH BH300-24C72 UNBOLTED COVER FOR STORM DRAIN JUNCTION BOXES, OR APPROVED EQUAL.



Roof Slab
Weight - 975 Lbs.
Item# - 1041220

GENERAL NOTES:
1. Different Height of Extensions and Bodies are Available by Request.
2. Frame and Cover Also Available.

SPECIFICATIONS:
1. Concrete has a design strength of 5000 PSI at 28 days.
2. Steel reinforcement: ASTM A-615 Grade 60 or ASTM A-497 Welded wire fabric.
3. Loading: Designed for H20 Loading.
4. C.I. Castings: ASTM A-48, Class 30/35.

Body
Weight - See Table
Item# - See Table

A	B	Weight	Item#
12"	18"	2250 Lbs.	1203520
18"	24"	2775 Lbs.	1203560
24"	30"	3300 Lbs.	1203600
30"	36"	3825 Lbs.	1203740
36"	42"	4350 Lbs.	1203780
42"	48"	4875 Lbs.	1203820
48"	54"	5400 Lbs.	1203960

Heavy Duty Grate
Weight : 94 Lbs.
Open Area 205 Sq. Inches

6" Riser W/ Frame
Weight : 165 Lbs.

Risers
Weight : See Chart

B	Weight (Lbs.)
6"	160
12"	315

Bottom
Weight : See Chart

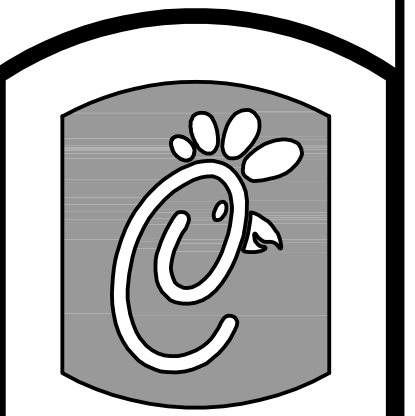
Wall(a)	Weight (Lbs.)
4-Way	607

1/2" Chamfer (TYP. 4 Corners, Top & Bottom)
Cast in Frame (Optional)
18" Wide x 29 1/2" Tall x 3" Deep Thin-wall Knockouts Typical on all Four Walls For 12" RCP and Smaller.

GENERAL NOTES:
1. Bedding Shall be in Accordance With Job and Plan Specifications.

RECORD DRAWING
June 9, 2020

To the best of our knowledge Wier & Associates, Inc., states this plan is As-Built. This information provided is based on surveying at the site and information provided by the contractor.



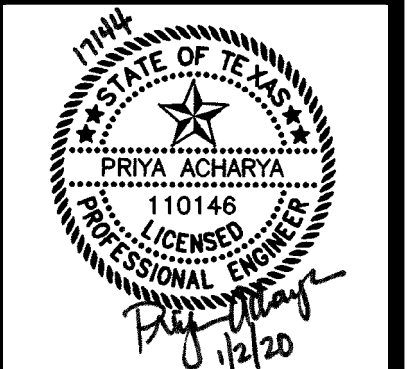
5200 Buffington Rd.
Atlanta Georgia,
30349-2998

Revisions:
Mark Date By
12/17/19 RBC

ISSUED FOR CONSTRUCTION

Mark Date By

Mark Date By



LOT 2, BLOCK A
LAKESHORE COMMONS
1979 NORTH LAKESHORE DRIVE
ROCKWALL, TEXAS

STORE SERIES P13-LSR

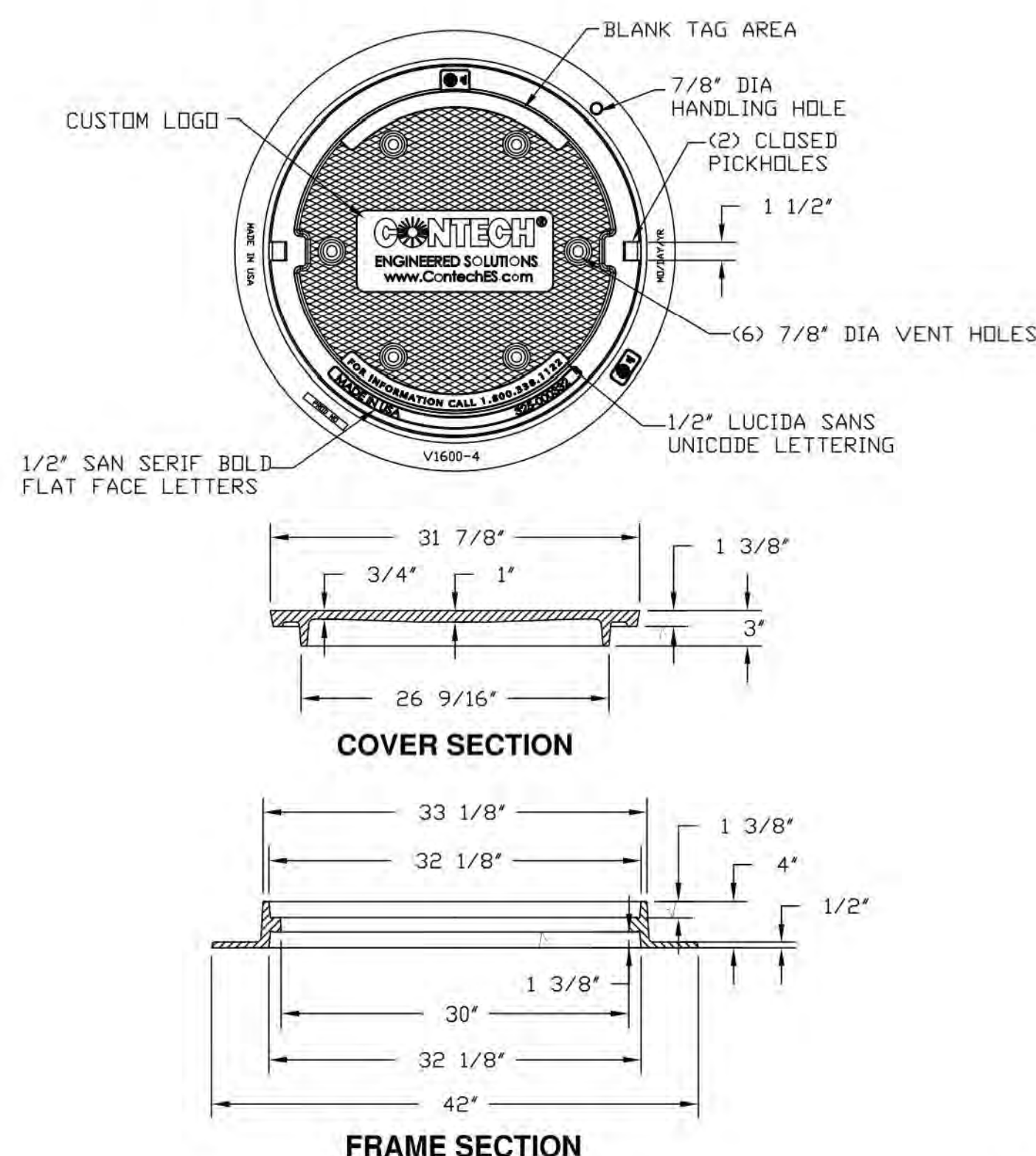
SHEET TITLE
PRIVATE DRAINAGE & UTILITY DETAILS

For Permit
For Bid
For Construction

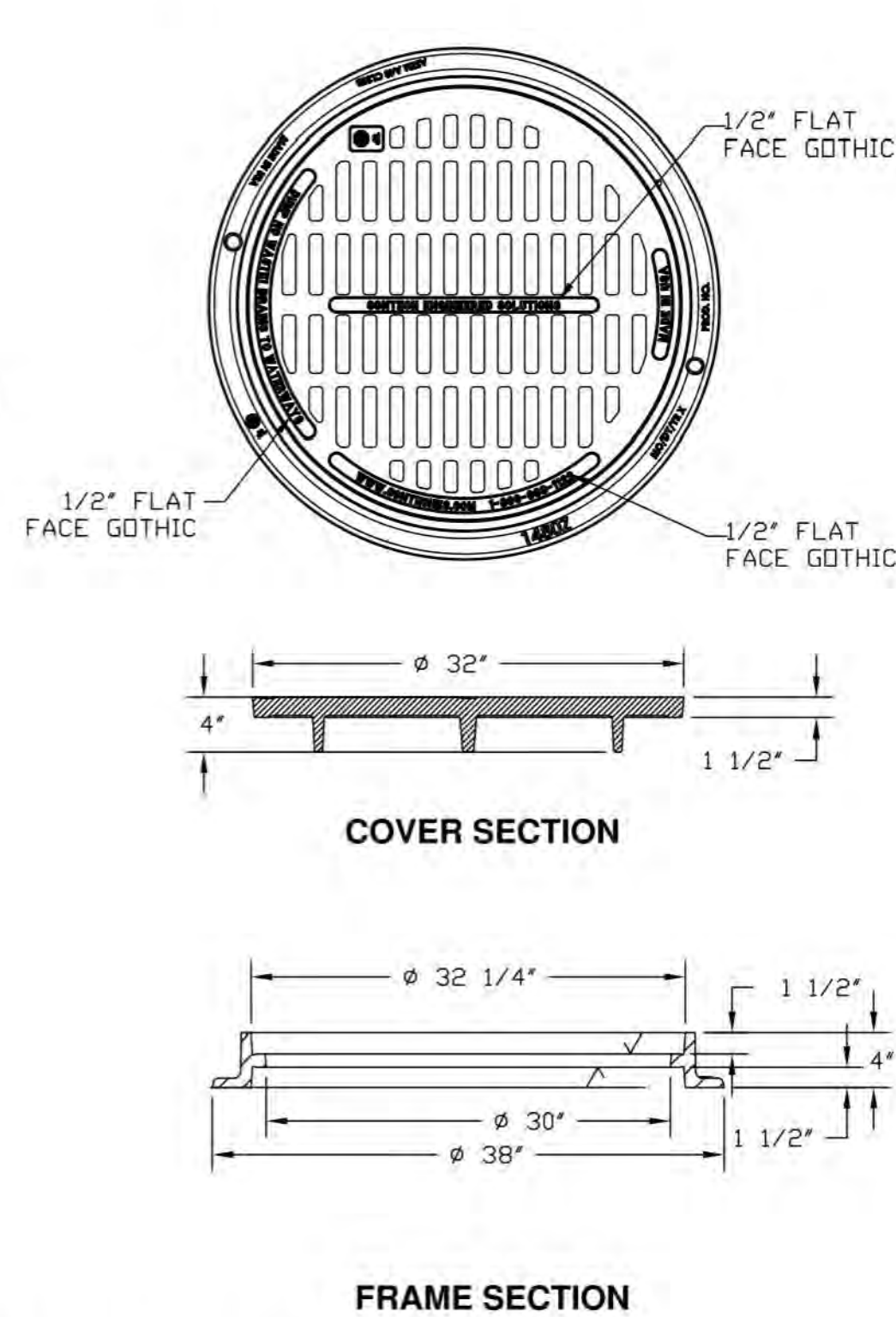
Job No. : 17144
Store : #03897
Date : 12/19/2019
Drawn By : MCC
Checked By: RSE

Sheet
C-10.7

30"x4" REVERSIBLE FRAME & SOLID COVER



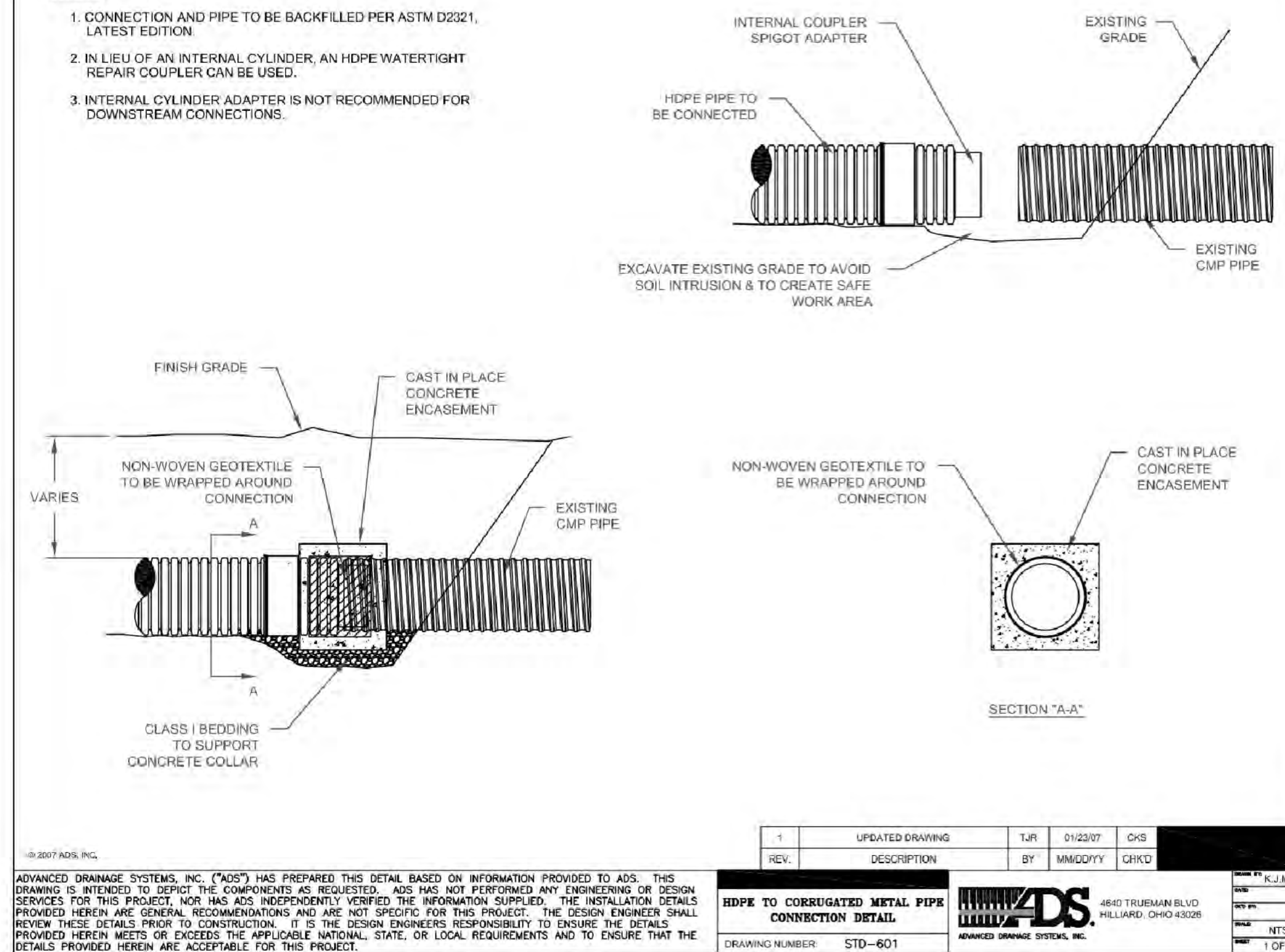
30"x4" REVERSIBLE FRAME & GRATE



TEXAS-DFW CMP DETENTION STANDARD DETAIL

NOTES:

1. CONNECTION AND PIPE TO BE BACKFILLED PER ASTM D2321, LATEST EDITION.
2. IN LIEU OF AN INTERNAL CYLINDER, AN HDPE WATERTIGHT REPAIR COUPLER CAN BE USED.
3. INTERNAL CYLINDER ADAPTER IS NOT RECOMMENDED FOR DOWNSTREAM CONNECTIONS.



© 2017 ADS, INC.

ADVANCED DRAINAGE SYSTEMS, INC. ("ADS") HAS PREPARED THIS DETAIL BASED ON INFORMATION PROVIDED TO ADS. THIS DRAWING IS INTENDED TO DEPICT THE COMPONENTS AS REQUESTED. ADS HAS NOT PERFORMED ANY ENGINEERING OR DESIGN SERVICES FOR THIS PROJECT. NOR HAS ADS INDEPENDENTLY VERIFIED THE INFORMATION SUPPLIED. THE INSTALLATION DETAILS PROVIDED HEREIN ARE GENERAL RECOMMENDATIONS AND ARE NOT SPECIFIC FOR THIS PROJECT. THE DESIGN ENGINEER SHALL REVIEW THESE DETAILS PRIOR TO CONSTRUCTION. IT IS THE DESIGN ENGINEER'S RESPONSIBILITY TO ENSURE THE DETAILS PROVIDED HEREIN MEET OR EXCEEDS THE APPLICABLE NATIONAL, STATE, OR LOCAL REQUIREMENTS AND TO ENSURE THAT THE DETAILS PROVIDED HEREIN ARE ACCEPTABLE FOR THIS PROJECT.

REV.	DESCRIPTION	TJR	DATE	CHK
1	UPDATED DRAWING	TJR	01/23/20	CHK

HDPE TO CORRUGATED METAL PIPE CONNECTION DETAIL
DRAWING NUMBER: STD-601
REVISED DRAINAGE SYSTEM, INC.

ALL RESPONSIBILITY FOR ADEQUACY OF DESIGN REMAINS WITH THE DESIGN ENGINEER. THE CITY OF ROCKWALL, IN REVIEWING AND RELEASING PLANS FOR CONSTRUCTION, ASSUMES NO RESPONSIBILITY FOR ADEQUACY OR ACCURACY OF DESIGN.

PREPARED BY:
WIA WIER & ASSOCIATES, INC.
ENGINEERS SURVEYORS LAND PLANNERS
2201 E. LAMAR BLVD., SUITE 200E ARLINGTON, TEXAS 76006 METRO (817)467-7700
Texas Firm Registration No. F-2776 www.WierAssociates.com