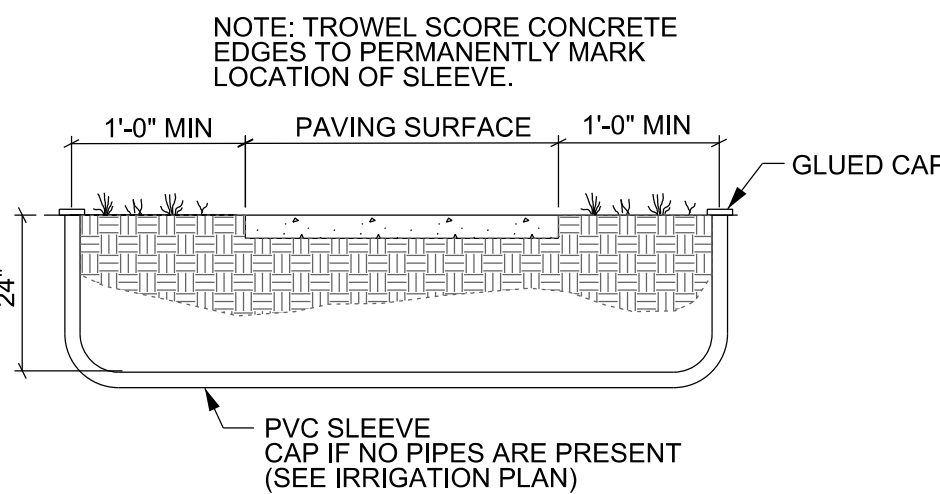
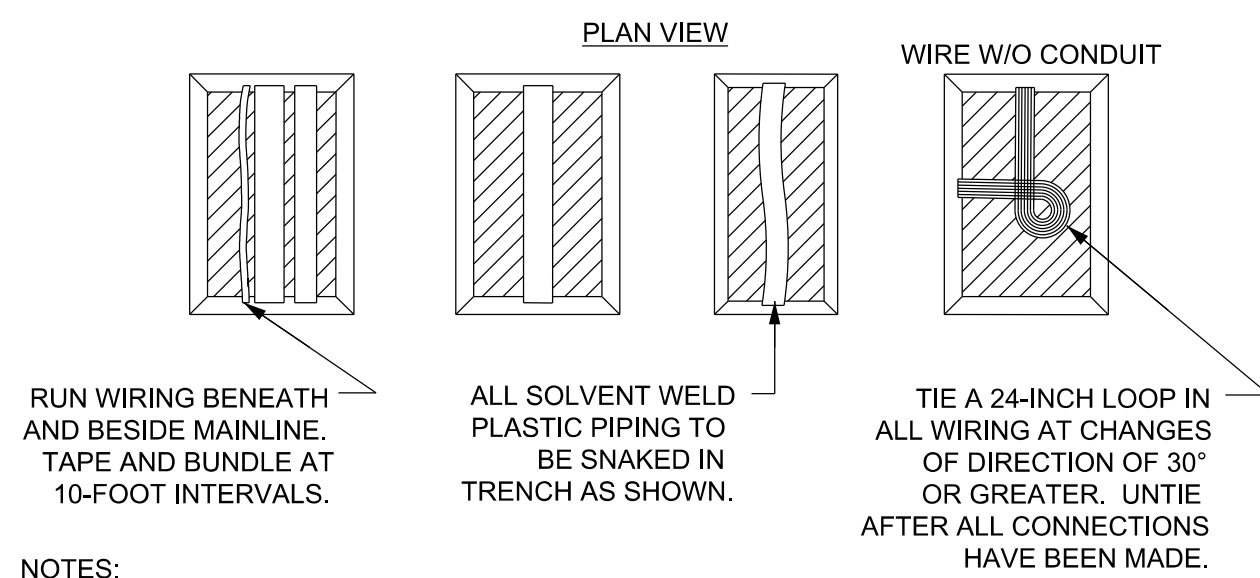
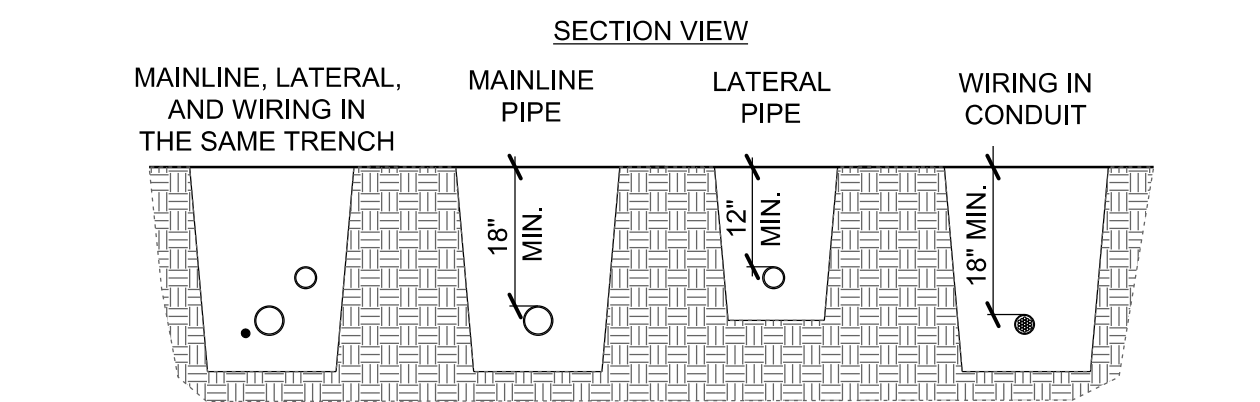


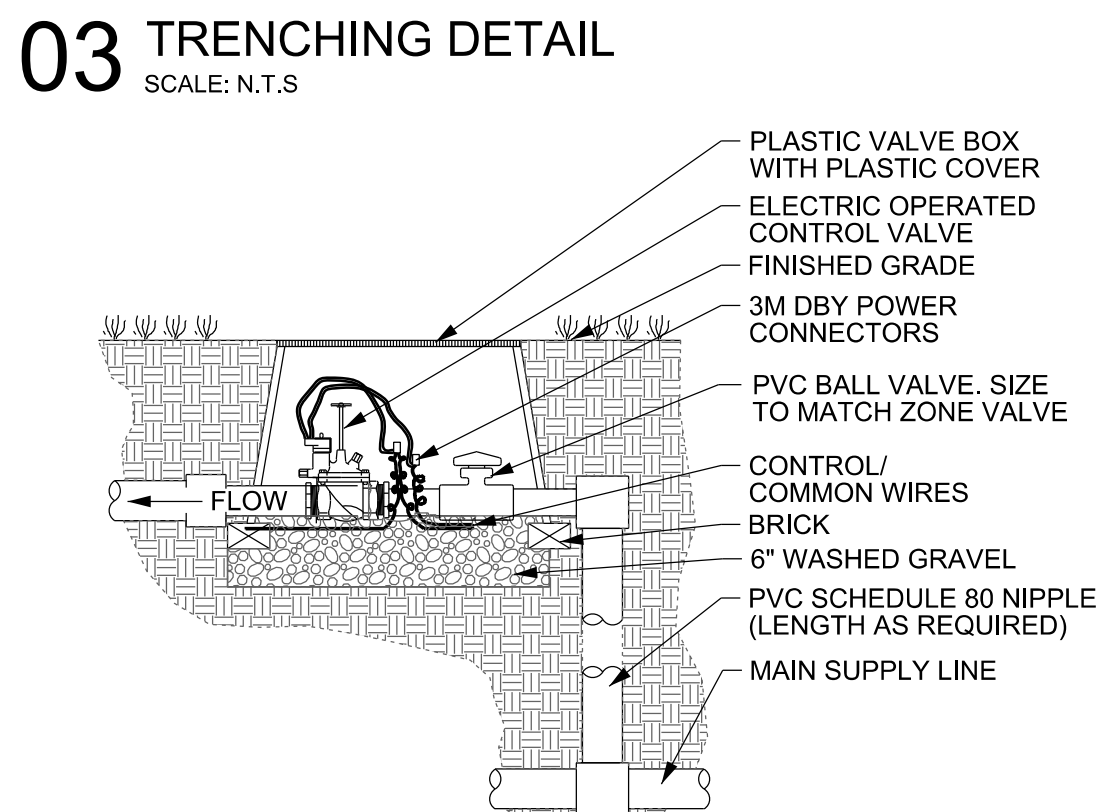
01 MASTER VALVE & FLOW METER DETAIL
SCALE: N.T.S.



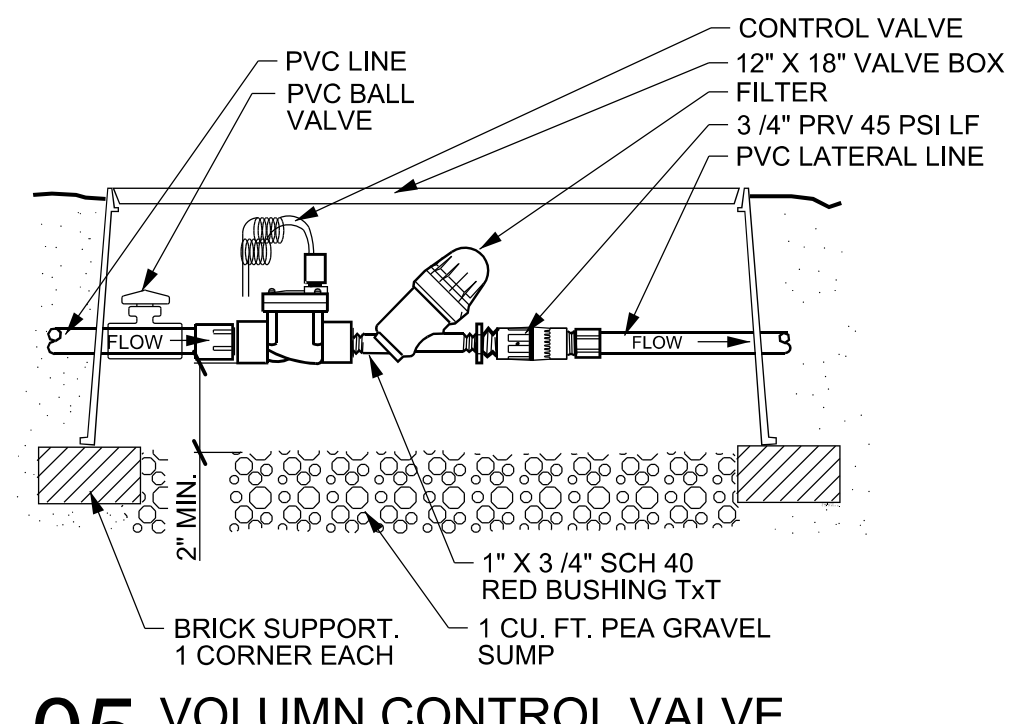
02 IRRIGATION SLEEVE DETAIL
SCALE: N.T.S.



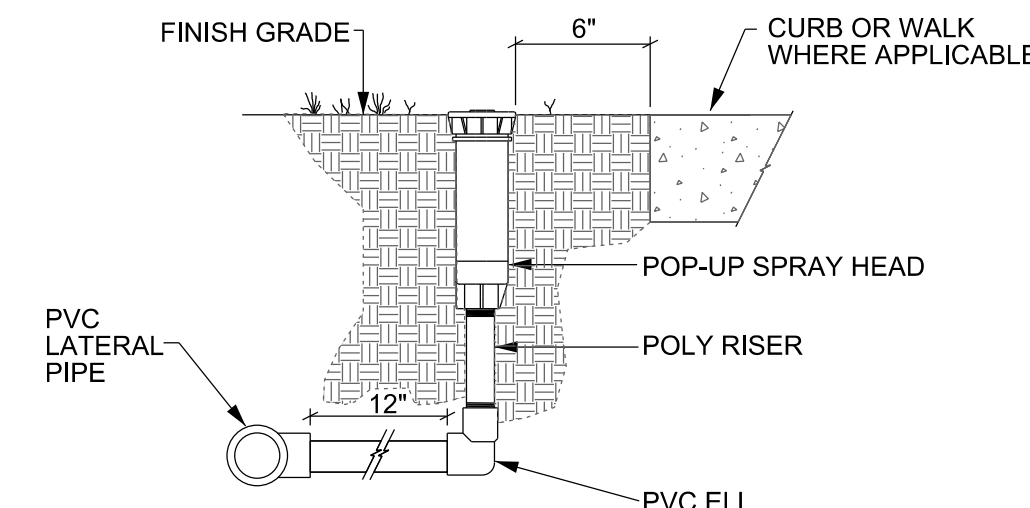
03 TRENCHING DETAIL
SCALE: N.T.S.



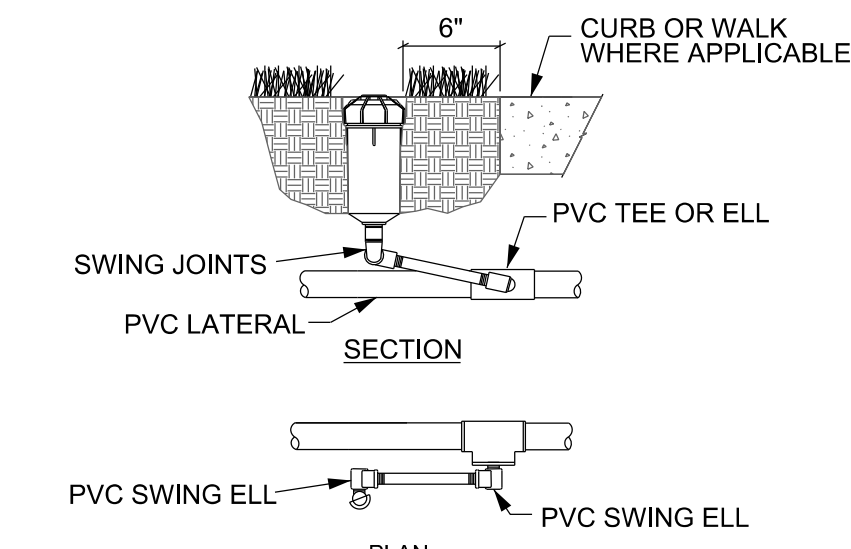
04 CONTROL VALVE DETAIL
SCALE: N.T.S.



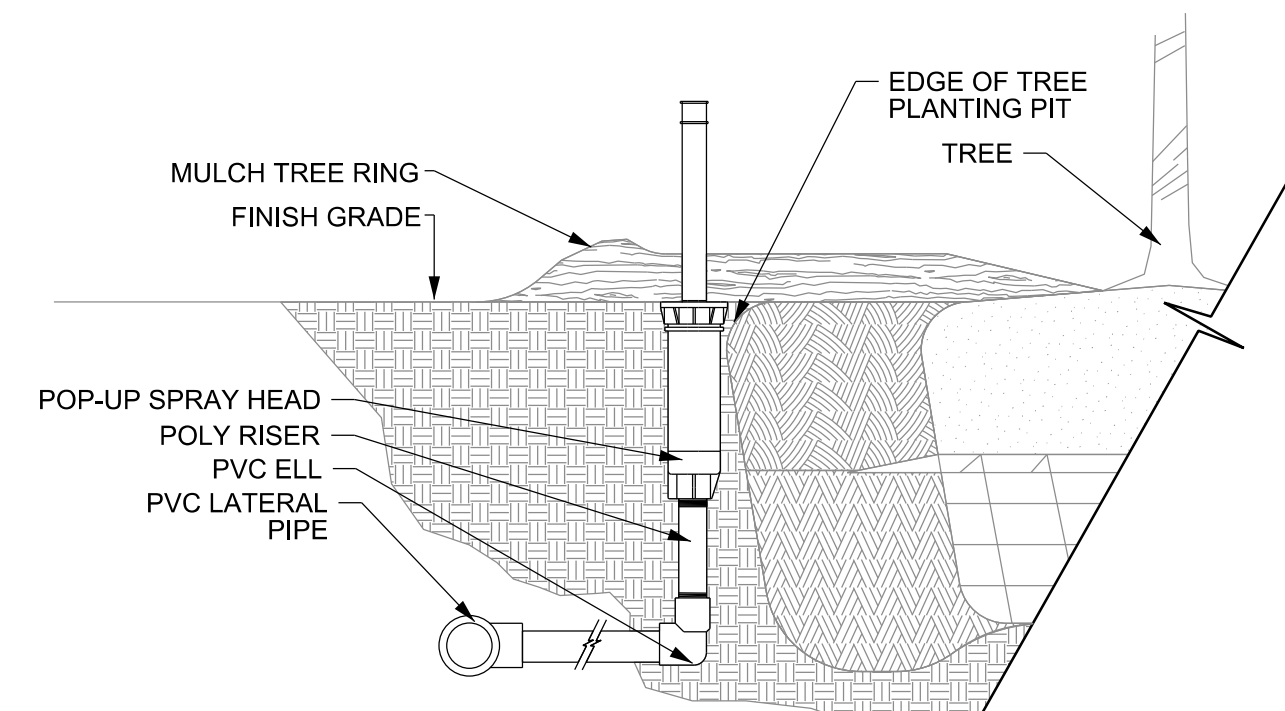
05 VOLUMN CONTROL VALVE
SCALE: N.T.S.



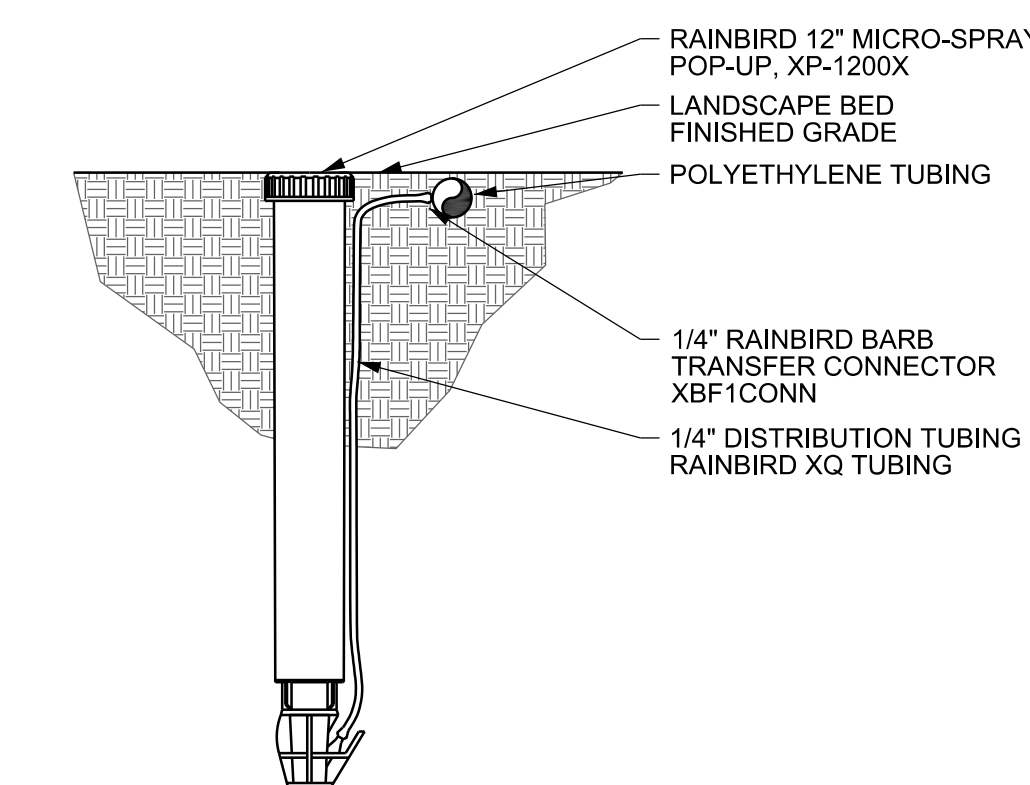
06 IRRIGATION FIXTURE - POP UP
SCALE: N.T.S.



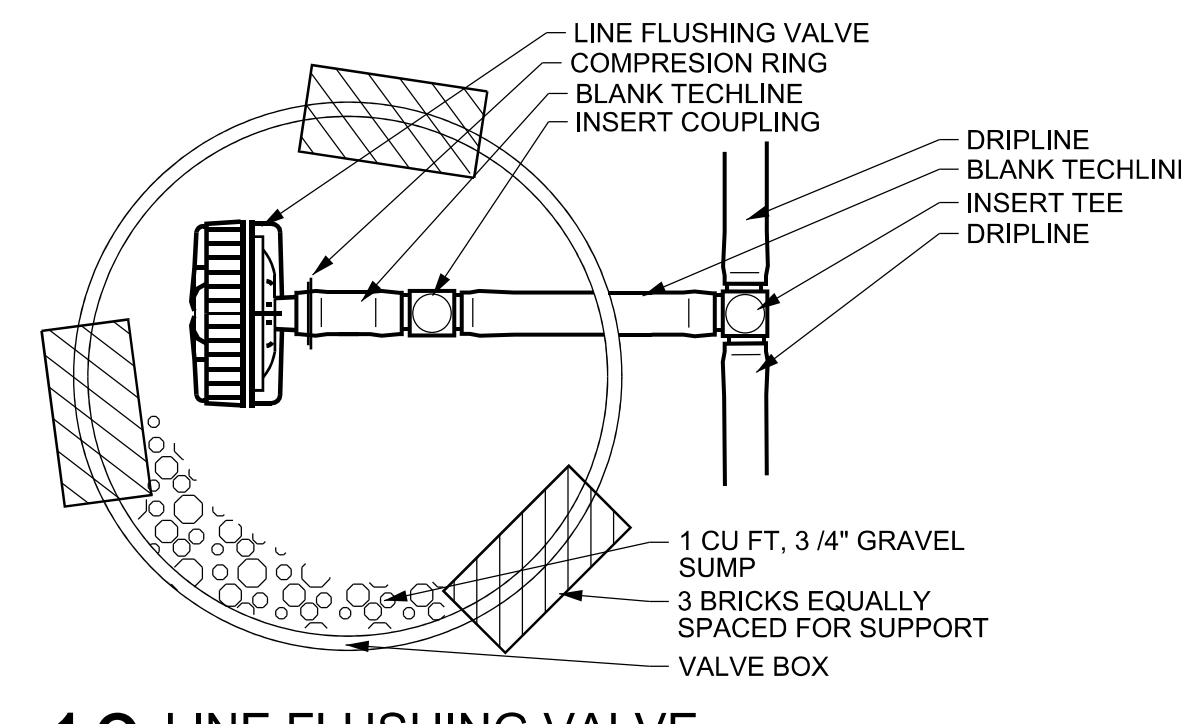
07 IRRIGATION FIXTURE - ROTOR HEAD
SCALE: N.T.S.



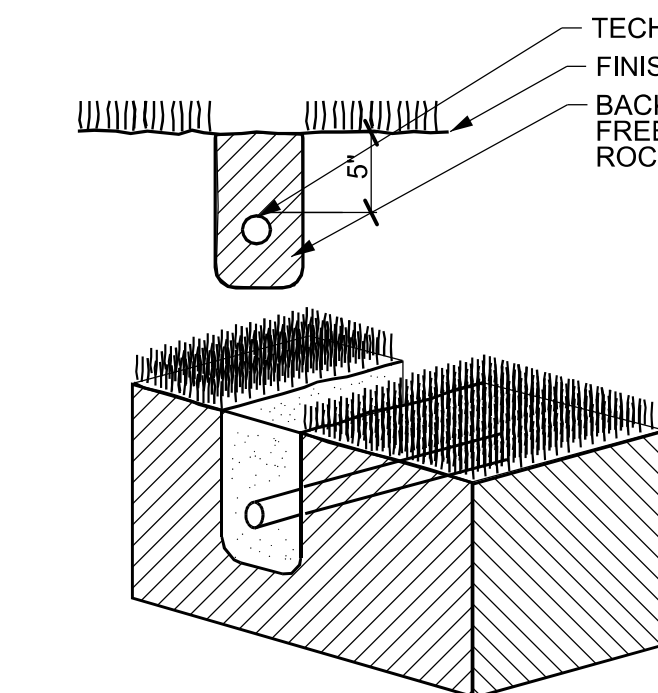
08 IRRIGATION FIXTURE - TREE BUBBLER
SCALE: N.T.S.



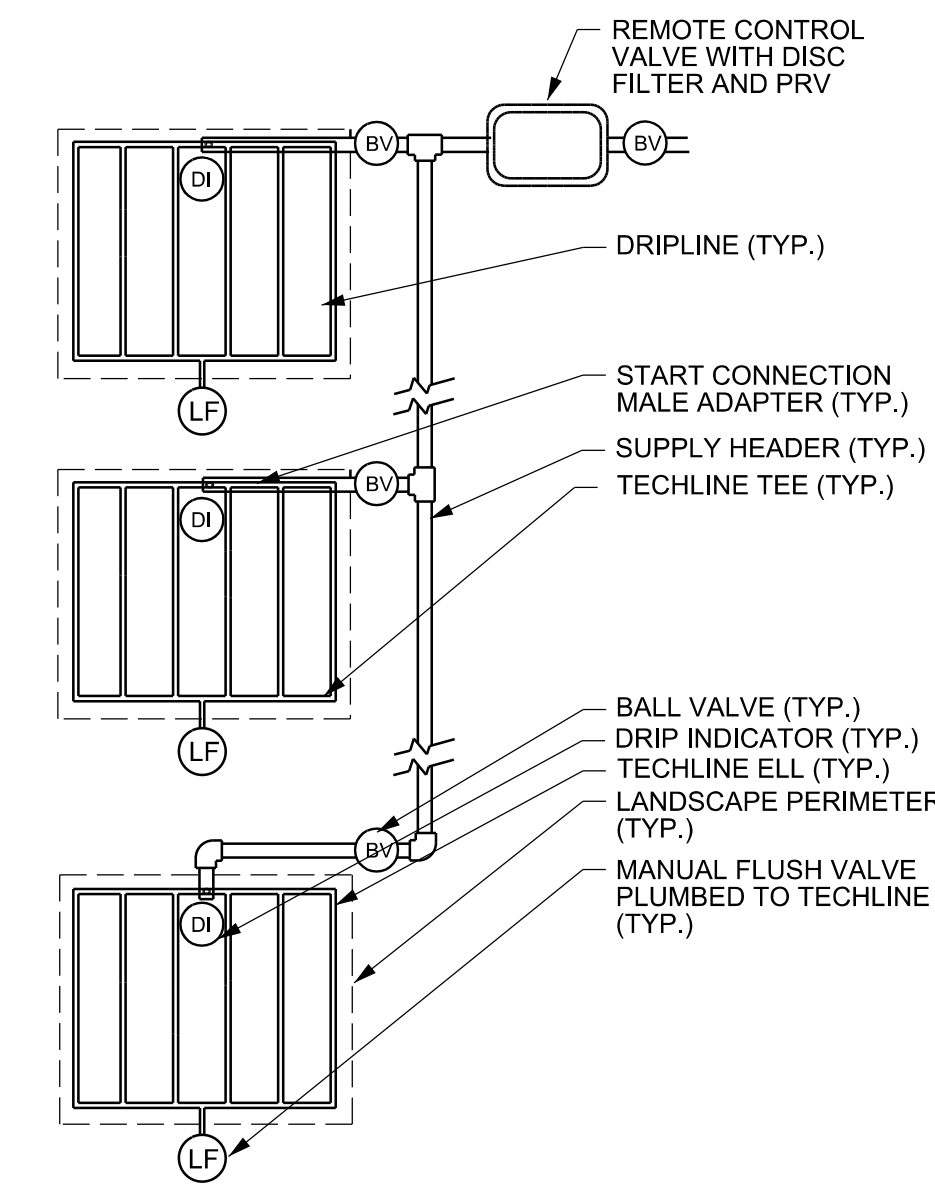
09 DRIP OPERATION INDICATOR
SCALE: N.T.S.



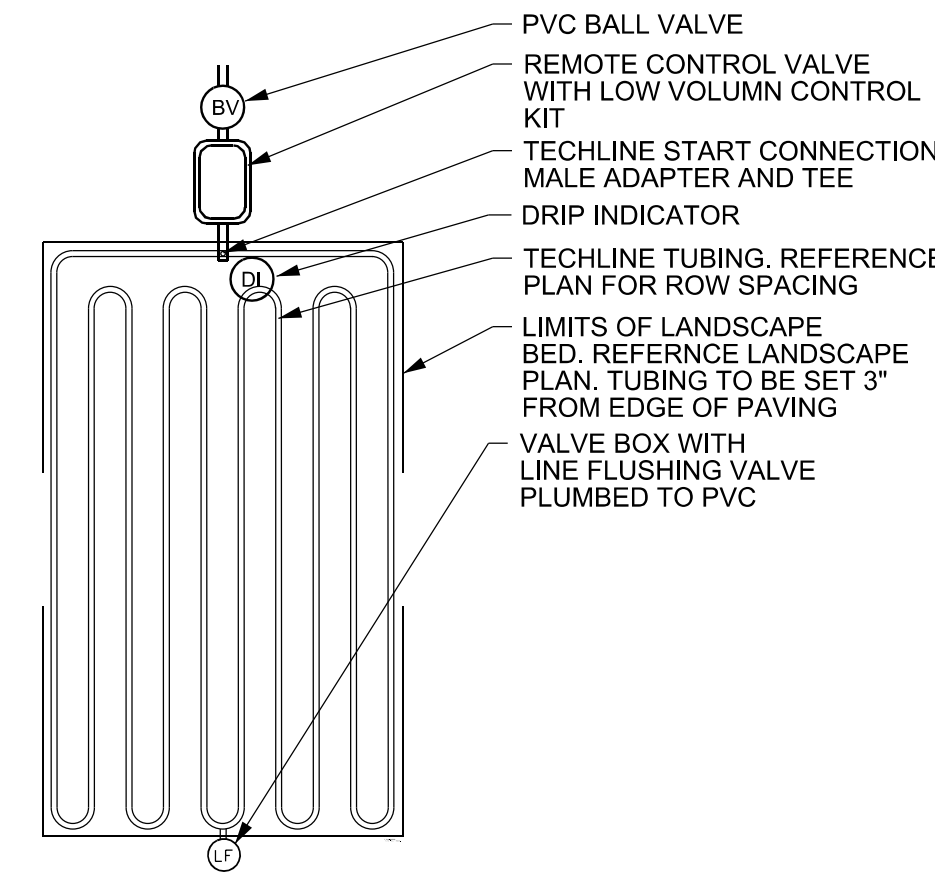
10 LINE FLUSHING VALVE
SCALE: N.T.S.



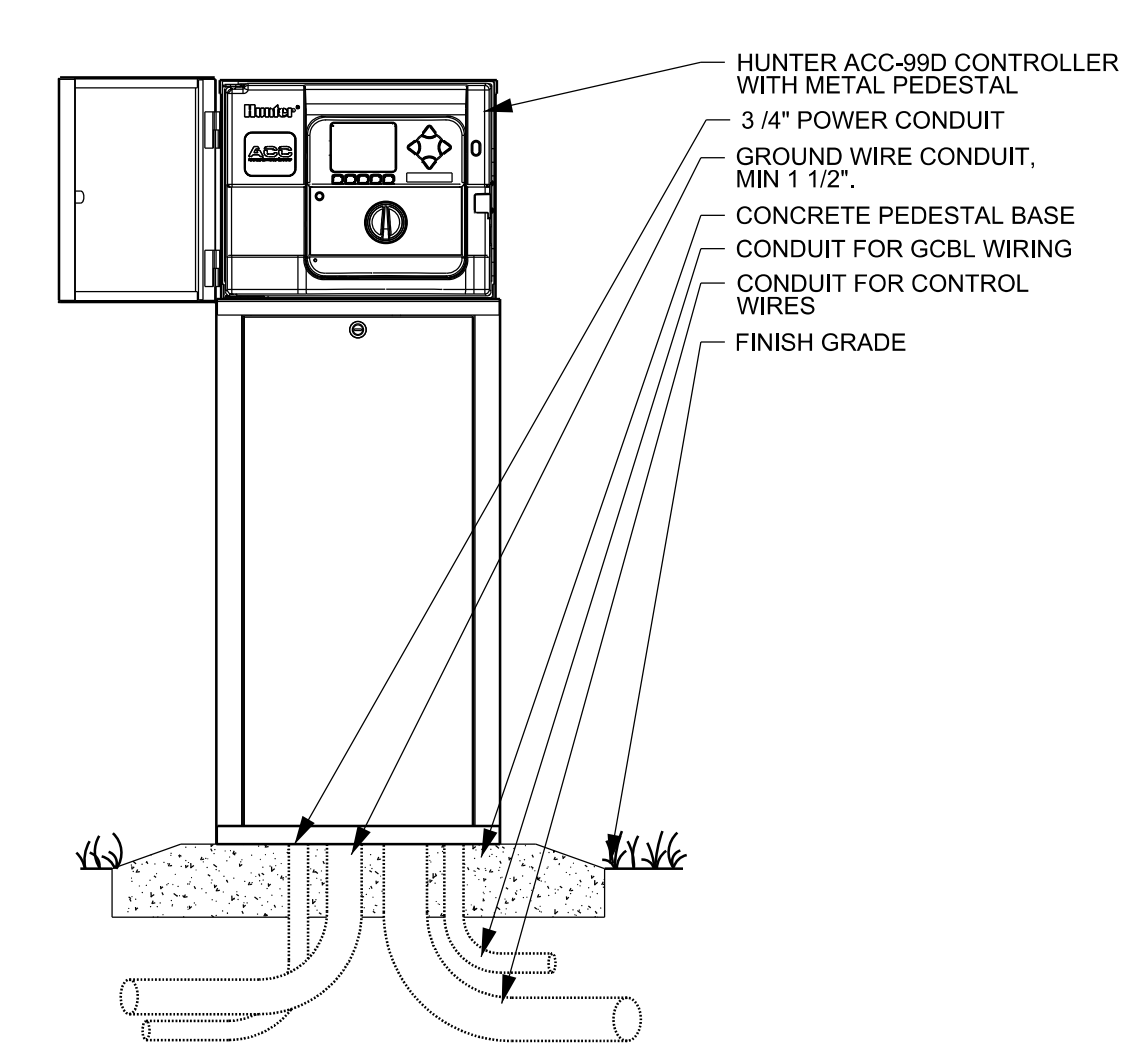
11 DRIP IRRIGATION - BELOW GROUND FOR LAWNS
SCALE: N.T.S.



12 DRIP IRRIGATION - MULTIPLE BEDS
SCALE: N.T.S.



13 DRIP IRRIGATION - LANDSCAPE BEDS
SCALE: N.T.S.



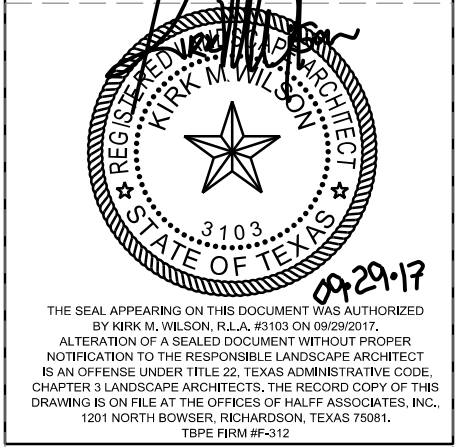
14 IRRIGATION CONTROLLER
SCALE: N.T.S.

9/29/2017 11:28:17 AM ah1727 HALFF E:\31000a\31697\CADD\Sheets\IR20-1\RD\TLS-3\1697.dgn Sheet

LAKE POINTE CHURCH
NEW CHAPEL / EDUCATION BUILDING
701 Interstate 30 Rockwall, TX 75087

HALFF
1001 NORTH LONNESSEE ROAD
RICHARDSON, TEXAS 75081-2275
TEL: (214) 348-6000
FAX: (214) 348-6000
FTEPE FIRM #FF-312

Revision No.	Date	Description



Project No.:	31697
Issued:	9/29/2017
Drawn By:	JBM
Checked By:	KMW
Scale:	AS NOTED
Sheet Title:	

Sheet Number