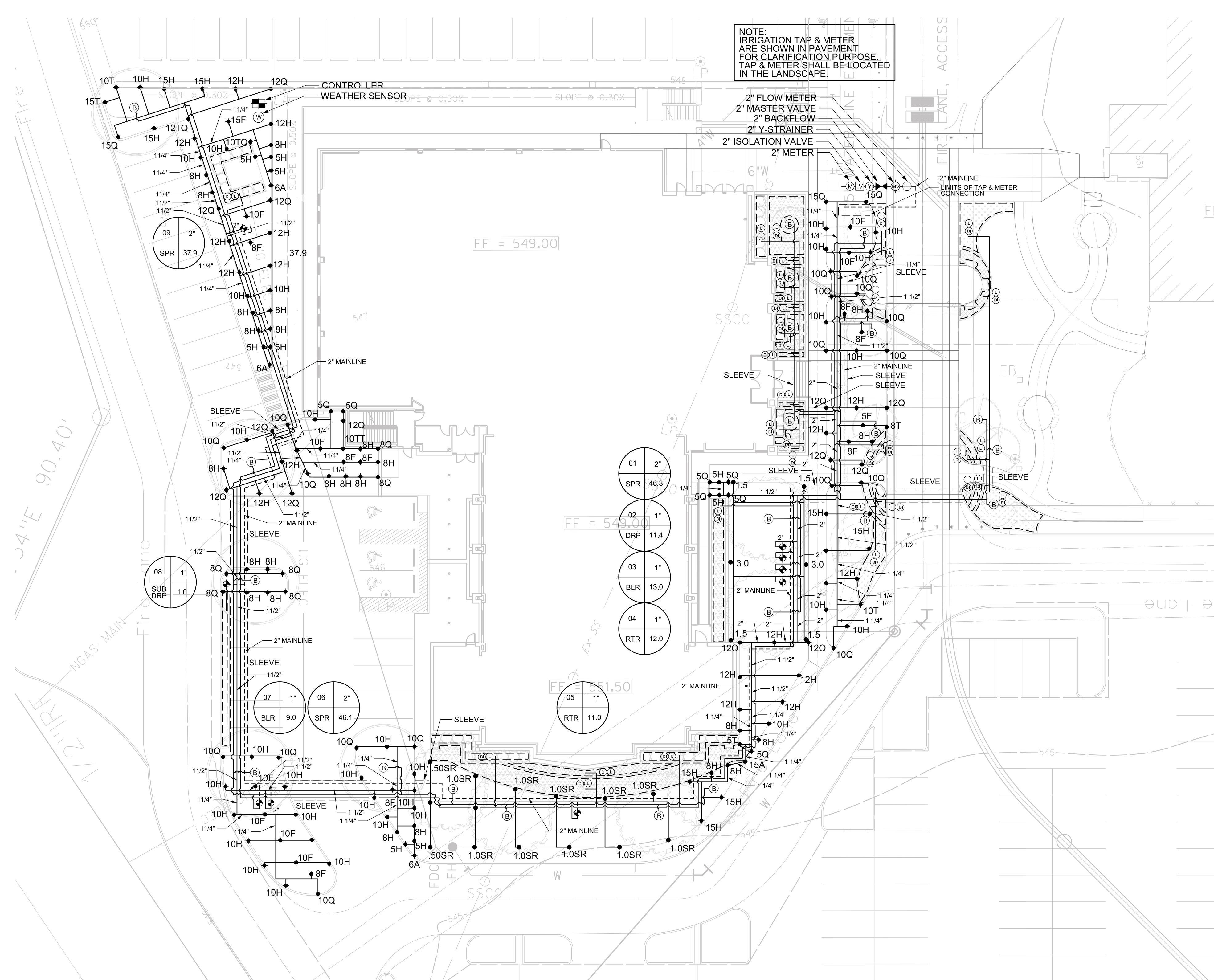
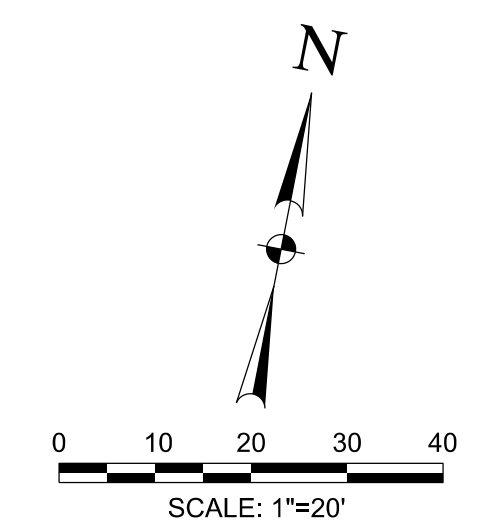


# 01 IRRIGATION PLAN

SCALE: 1"=20'-0"



NOTE:  
IRRIGATION TAP & METER  
ARE SHOWN IN PAVEMENT  
FOR CLARIFICATION PURPOSE.  
TAP & METER SHALL BE LOCATED  
IN THE LANDSCAPE.

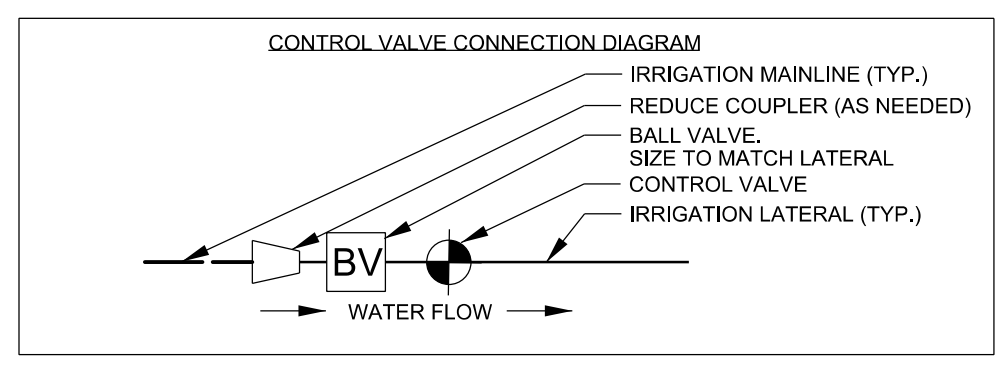
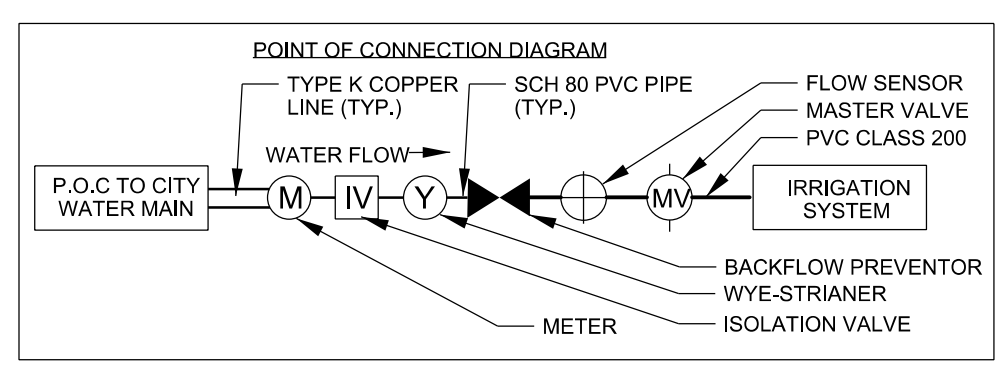


### IRRIGATION LEGEND

SYMBOL	DESCRIPTION	SPECIFICATIONS
BLR	POP-UP WITH BUBBLER NOZZLE	MANUFACTURER: HUNTER HEAD: PROS-06-CV NOZZLE: PCB, 1.0 GPM UMBRELLA MIN. OPERATING PRESSURE: 30 PSI
RTR	ROTORS	MANUFACTURER: HUNTER HEAD: PGP ULTRA NOZZLE: REF. PLAN OPERATING PRESSURE: 1.5" = Q .50SR = Q .75SR = Q 3.0" = H 1.0SR = H 1.5SR = H 6.0" = F 2.0SR = F 3.0SR = F MAX = 40 PSI
SPR	SPRAYS	MANUFACTURER: HUNTER HEAD: PROS-06-PRS30-CV NOZZLE: REF. PLAN OPERATING PRESSURE: 30 PSI
DRP	SURFACE DRIP IN LANDSCAPE BEDS	MANUFACTURER: NETAFIM TECHLINE: TLCV4-18 INLET PRESSURE: 35 PSI INSTALL LVC210075-LF
M	METER	MANUFACTURER: PER CITY REQUIREMENTS SIZE: 2"
IV	ISOLATION VALVE	MANUFACTURER: NIBCO MODEL: T-113-K SIZE: 2"
Y	Y-STRAINER	MANUFACTURER: WILKINS MODEL: SXL SIZE: 2"
DCV	DOUBLE CHECK VALVE ASSEMBLY	MANUFACTURER: FEBCO MODEL: SERIES 850 SIZE: 2"
FM	FLOW METER	MANUFACTURER: HUNTER MODEL: FLOW-CLK, FCT-300 SIZE: 2"
MV	MASTER VALVE	MANUFACTURER: HUNTER MODEL: ICV SIZE: 2"
RCV	REMOTE CONTROL VALVE	MANUFACTURER: HUNTER MODEL: ACC-99 SIZE: PER PLAN INSTALL WITH HUNTER ICD-DECODER AND GROUNDING EQUIPMENT PER HUNTER REQUIREMENTS
L	LINE FLUSH VALVE	MANUFACTURER: NETAFIM NOTE: INSTALL ONE (1) AT LOWEST POINT IN EACH DRIP BED
DI	DRIP OPERATION INDICATOR	MANUFACTURER: RAINBIRD MODEL: XER-POP OPERATION INDICATOR, XP-1200X NOTE: INSTALL ONE (1) IN EACH DRIP BED. TIGHTEN THROW SCREW ALL THE WAY DOWN FOR ZERO FLOW.
C	CONTROLLER	MANUFACTURER: HUNTER MODEL: ACC-99 TWO WIRE
W	WEATHER SENSOR	MANUFACTURER: HUNTER MODEL: SOLAR SYNC-SEN
---	LATERAL PIPING	SIZE: 1" UNLESS NOTED OTHERWISE TYPE: SDR 21 PVC CLASS 200 PIPE
---	MAIN LINE PIPING	SIZE: 2 1/2" TYPE: SDR 21 PVC CLASS 200 PIPE
---	PIPE SLEEVE	SIZE: DUAL 4" SLEEVE TYPE: PVC SCHEDULE 40 PLASTIC PIPE

### STATION NO. VALVE INDICATOR

STATION NO.	VALVE SIZE	QUESTIONS CONCERNING HUNTER EQUIPMENT PLEASE CONTACT:
25	1 1/2"	CHARLEY HUSTON 1 214-516-6538 Direct 1 214-577-4188 Mobile
DRP	49.8	GALLONS PER MINUTE



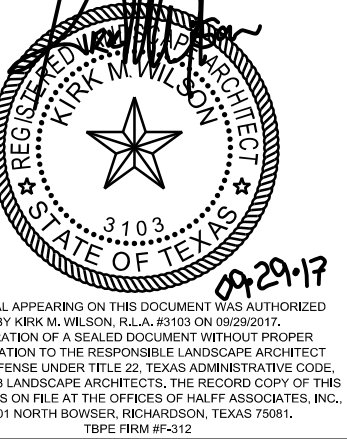
### NOTES:

- IRRIGATION SYSTEM DESIGN IS DIAGRAMMATIC. PIPE, VALVE AND IRRIGATION SYSTEM COMPONENT LOCATIONS MAY BE SHOWN IN PAVED AREAS FOR DESIGN CLARIFICATION. ALL SYSTEM COMPONENTS WILL BE IN TURF OR LANDSCAPED AREAS WHERE POSSIBLE. ADJUST LOCATION OF ALL COMPONENTS TO COMPENSATE FOR FINAL SITE CONDITIONS AND PROVIDE OPTIMAL WATER COVERAGE. AVOID DAMAGE TO EXISTING OR PROPOSED IMPROVEMENTS ON PROJECT SITE. CONTRACTOR IS RESPONSIBLE FOR OBTAINING ALL PERMITS AND INSTALLING A COMPLETE IRRIGATION SYSTEM.
- IRRIGATION CONTRACTOR TO COORDINATE PLACEMENT OF ALL REQUIRED SLEEVES UNDER PAVING.
- ALL CONTROL WIRING TO BE BURIED UNDER OR ALONG SIDE OF MAIN LINE IN TRENCHES. TRENCHES FOR MAIN LINE TO BE A MINIMUM DEPTH OF 18" BELOW FINISHED GRADE. TRENCHES FOR LATERAL LINES TO BE A MINIMUM DEPTH OF 12" BELOW GRADE.
- SYSTEM PRESSURE IS BASED ON A STATIC PRESSURE OF 65.00 PSI WITH A DESIGN PRESSURE OF 58.50 AT THE POINT OF CONNECTION TO THE WATER LINE. CONTRACTOR SHALL TEST AVAILABLE PRESSURE AND SUBMIT RESULTS TO OWNER'S REPRESENTATIVE FOR REVIEW AND APPROVAL PRIOR TO COMMENCING WORK. IN NO CASE SHALL CONTRACTOR COMMENCE WITH CONSTRUCTION IF MEASURED PRESSURE AT POINT OF CONNECTION IS LESS THAN REQUIRED SYSTEM PRESSURE. FAILURE TO CONTACT THE OWNER'S REPRESENTATIVE SHOULD A DISCREPANCY OCCUR, WILL RESULT IN THE CONTRACTOR MAKING NECESSARY CHANGES TO THE IRRIGATION SYSTEM TO THE SATISFACTION OF THE LANDSCAPE ARCHITECT WITHOUT ADDITIONAL COST TO THE OWNER.
- ALL WORK SHALL BE INSTALLED IN ACCORDANCE WITH APPLICABLE LOCAL CODES AND REQUIREMENTS.
- CONTRACTOR SHALL BE RESPONSIBLE FOR LOCATING ANY EXISTING UNDERGROUND UTILITIES OR OBSTACLES. CONTRACTOR SHALL REPAIR ALL DAMAGE RESULTING FROM HIS OPERATIONS, AT NO COST TO THE OWNER.
- CONTRACTOR SHALL BE RESPONSIBLE FOR DAMAGE TO PLANT MATERIAL DUE TO SYSTEM FAILURE OR INFERIOR WORKMANSHIP DURING THE INSTALLATION OF PLANTS AND MAINTENANCE PERIOD.
- THE IRRIGATION CONTRACTOR SHALL BE RESPONSIBLE FOR THE FINAL ELECTRICAL CONNECTION FOR CONTROLLERS. THIS SHALL INCLUDE ALL NECESSARY FUSE BOXES OR OTHER ELECTRICAL REQUIREMENTS.
- THE IRRIGATION CONTRACTOR SHALL COORDINATE OPERATIONAL REQUIREMENTS OF THE IRRIGATION SYSTEM WITH THE OWNER.

**LAKE POINTE CHURCH**  
**NEW CHAPEL / EDUCATION BUILDING**  
701 Interstate 30 Rockwall, TX 75087



Revision No.	Date	Description



Project No.:	31697
Issued:	9/29/2017
Drawn By:	JBM
Checked By:	KMW
Scale:	AS NOTED
Sheet Title	IRRIGATION PLAN
Sheet Number	IR1.01