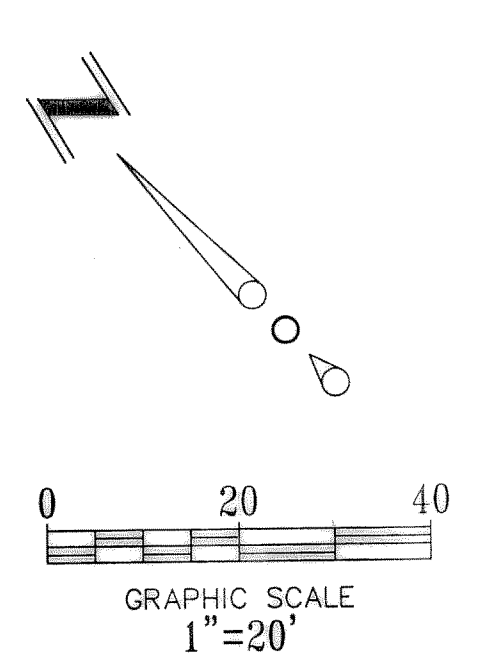


- LEGEND**
- - - - - EXISTING CONTOUR
 - 690 — PROPOSED CONTOUR
 - — — — — EXISTING CURB
 - — — — — PROPOSED CURB
 - XXXXXXXXXX EXISTING STORM
 - — — — — DRAINAGE AREA DIVIDE



NOTE: AREA B WILL BE PICKED UP WITH UNDERGROUND DRAINAGE WHEN ADJACENT PROPERTY IS DEVELOPED.

APPROXIMATELY MATCHES DA DIVIDE ON SE SIDE OF DA#2 ON ROCKWALL COMMUNITY HOSPITAL DRAINAGE AREA MAP BY PACHECO KOCH.

NOTE: AREA F FLOWS INTO EXISTING FIRELANE AND TO EXISTING WYE INLET/11'x4' BOX CULVERT. 11'x4' B.C. IS IN PARTIAL FLOW AND HAS CAPACITY FOR THE ADDITIONAL 0.5cfs. EXISTING DESIGN FLOW IN 11'x4' B.C. AT POINT WHERE ADDITIONAL 0.5cfs ENTERS IS AT 532.83cfs. B.C. CAPACITY IS AT 594.97cfs.

AS-BUILT

NOTE: THESE PLANS HAVE BEEN REVISED TO CONFORM WITH CONSTRUCTION RECORDS PROVIDED BY CONTRACTOR.

NOTE: MOST EXISTING SITE INFORMATION HAS BEEN TAKEN FROM THE DEVELOPER'S ENGINEERING PLANS AND HAS NOT BEEN FIELD VERIFIED. IT IS THE RESPONSIBILITY OF THE CONTRACTOR TO PERFORM THE NECESSARY SURVEYING TO ASSURE THERE ARE NO SIGNIFICANT DESIGN DISCREPANCIES PRIOR TO CONSTRUCTION.

CAUTION!!!
CALL: TEXAS ONE CALL @ 1-800-245-4545
48 HRS PRIOR TO CONSTRUCTION.

!!! CAUTION !!!
UNDERGROUND UTILITIES

EXISTING UTILITIES AND UNDERGROUND FACILITIES INDICATED ON THESE PLANS HAVE BEEN LOCATED FROM REFERENCE INFORMATION SUPPLIED BY VARIOUS OWNERS OF THE FACILITIES. THE ENGINEER DOES NOT ACCEPT THE RESPONSIBILITY FOR THE UTILITY LOCATIONS SHOWN. IT SHALL BE THE RESPONSIBILITY OF THE CONTRACTOR TO VERIFY BOTH HORIZONTALLY AND VERTICALLY THE LOCATION OF ALL EXISTING UTILITIES AND UNDERGROUND FACILITIES PRIOR TO CONSTRUCTION, TO TAKE NECESSARY PRECAUTIONS IN ORDER TO PROTECT ALL FACILITIES ENCOUNTERED, AND TO NOTIFY THE ENGINEER PROMPTLY OF ALL CONFLICTS OF THE WORK WITH EXISTING FACILITIES. THE CONTRACTOR SHALL PRESERVE AND PROTECT ALL EXISTING UTILITIES FROM DAMAGE DURING CONSTRUCTION. ANY DAMAGE BY THE CONTRACTOR TO EXISTING UTILITIES SHALL BE REPAIRED BY THE CONTRACTOR AT HIS OR HER EXPENSE.

DRAINAGE DATA CHART

DRAINAGE AREA NO.	DRAINAGE AREA (Acres)	C	Tc (min)	I100 (in/hr)	Q100 (cfs)	COMMENTS
A	0.26	0.9	10	9.8	2.3	FLows TO 5' CURB INLET
B	0.82	0.9	10	9.8	7.2	FLows OFFSITE (NORTHEAST) TO EXISTING WYE INLET
C	0.39	0.9	10	9.8	3.4	DRAINS TO ROOF DRAINS/STORM SYSTEM
D	0.39	0.9	10	9.8	3.4	FLows INTO AREA A (FUTURE FLOW TO 18" RCP)
E	0.12	0.9	10	9.8	1.1	FLows TO 5' CURB INLET
F	0.06	0.9	10	9.8	0.5	FLows OFF-SITE TO EXISTING SYSTEM
TOTALS	2.04	0.9	10	9.8	18.0	

MATCHES ROCKWALL COMMUNITY HOSPITAL DA MAP

DRAINAGE CRITERIA

Q=C I A
I100=9.8 in/hr
tc=10 min.
C=0.90

(X) — AREA DESCRIPTION

BENCHMARK

BM#1 CITY OF ROCKWALL MONUMENT "RESET 1", 3" BRASS DISK FOUND AT RIDGE ROAD (F.M. 740) AND SUMMER LEE DRIVE NEAR THE NORTH WEST CORNER OF THE PARKING LOT FOR COMMUNITY BANK.

ELEVATION=567.70'

BM#2 " " CUT FOUND ON THE BACK OF CURB ON THE POINT ON CURVATURE OF THE SOUTHWEST CORNER OF THE INTERSECTION OF SUMMER LEE DRIVE AND OAK DRIVE.

ELEVATION=563.21'

BM#3 " " CUT SET ON THE BACK OF CURB AT THE POINT OF CURVE OF ROCKWALL PARKWAY AT THE NORTHEAST CORNER OF THE INTERSECTION OF SUMMER LEE DRIVE AND ROCKWALL PARKWAY.

ELEVATION=552.82'

DRAINAGE AREA MAP
ROCKWALL MEDICAL ARTS
CITY OF ROCKWALL
ROCKWALL COUNTY, TEXAS

O'DONALD ENGINEERING LLC
F-8885

1601 E. Lamar Blvd, Suite 210
Arlington, Texas 76011
Phone 817.794.0202
Fax 817.548.8430



DATE	3/6/09
SCALE	1"=20'
JOB NO	0007078
SHEET	C3

Copyright 2009 O'DONALD ENGINEERING, LLC. All Rights Reserved. No part of this drawing may be reproduced or transmitted in any form or by any means electronic or mechanical, including photocopying, recording, or by any information storage and retrieval system, without the express written permission of O'DONALD ENGINEERING, LLC.