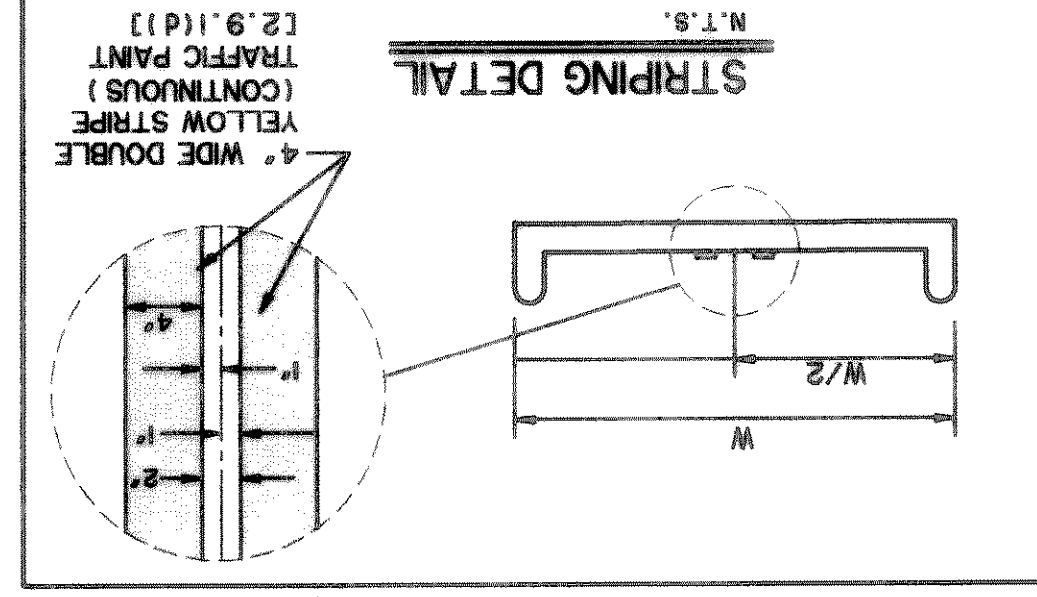
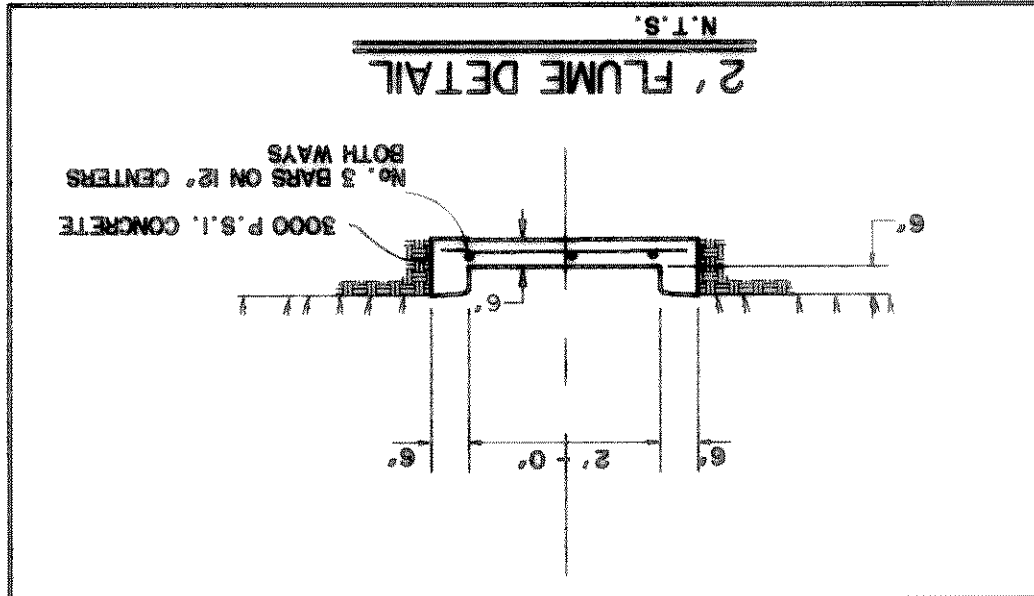


LAKEFRONT TRAIL

EXISTING UTILITIES AND UNDERGROUND FACILITIES INDICATED ON THESE PLANS HAVE BEEN LOCATED FROM REFERENCE INFORMATION SUPPLIED BY VARIOUS OWNERS OF THE FACILITIES. THE ENGINEER DOES NOT ACCEPT THE RESPONSIBILITY OF THE CONTRACTOR TO VERIFY BOTH HORIZONTAL AND VERTICAL LOCATION OF ALL EXISTING UTILITIES AND UNDERGROUND FACILITIES PRIOR TO CONSTRUCTION. TO TAKE NECESSARY PRECAUTIONS IN ORDER TO PROTECT ALL FACILITIES ENCOUNTERED, AND TO NOTIFY THE ENGINEER PROMPTLY OF ALL CONFLICTS OF THE WORK WITH EXISTING UTILITIES. THE CONTRACTOR SHALL PRESERVE AND PROTECT ALL EXISTING UTILITIES FROM DAMAGE DURING CONSTRUCTION. ANY DAMAGE BY THE CONTRACTOR TO EXISTING UTILITIES SHALL BE REPAIRED BY THE CONTRACTOR AT HIS EXPENSE. CONTACT ALL POSSIBLE UTILITY AND UNDERGROUND FACILITY OWNERS.



CURVE 132

FT-TOTAL	2.35
110.45	650.00
55.55	650.00
08'48.53'	08'48.53'
09'44.06'	09'44.06'
132	132

TOP = 468.94
CONST. 5' STD. CURB INLET
18.5' RT. ST. STA. 2+75

TOP = 468.95
CONST. 10' STD. CURB INLET
18.5' LT. ST. STA. 2+75.00

STA. 2+18.00 JULIE LANE
3+51.67' BOX CULVERT

CURVE 113

FT-TOTAL	3.94
142.78	650.00
71.68	650.00
08'48.53'	08'48.53'
12'38.07'	12'38.07'
113	113

CURVE 131

FT-TOTAL	2.94
121.23	650.00
60.79	650.00
08'48.53'	08'48.53'
10'41.10'	10'41.10'
131	131

- BENCH MARKS
- 1. BOX CUT IN CONC. BASE OF CIVIL DEFENSE SIREN 30.8' RT. ST. STA. 3+22 SUMMER LEE DRIVE. ELEV. 520.33
- 2. BALROAD SPIKE SET IN 25' PECAN TREE 76.4' LT. ST. STA. 11+37 SUMMER LEE DRIVE. ELEV. 471.34

ROCKWALL HARBOR JOINT VENTURE
VOL. 803, PG. 17

MICHAEL A. STEPHENSON
B. JOHN PATRICK
11,097 ACRES
VOL. 642, PG. 302

CURVE 110

FT-TOTAL	28.28
08'48.53'	08'48.53'
164.93	650.00
323.02	650.00
20.80	650.00
110	110

REMOVE EXIST. T-4. 90° BEND
PROVIDE RETAINER
GLANDS ALL JOINTS
& BLOCKS OR USE
FLANGED FITTINGS

CONC. FLUME SEE
DETAIL THIS SHEET.