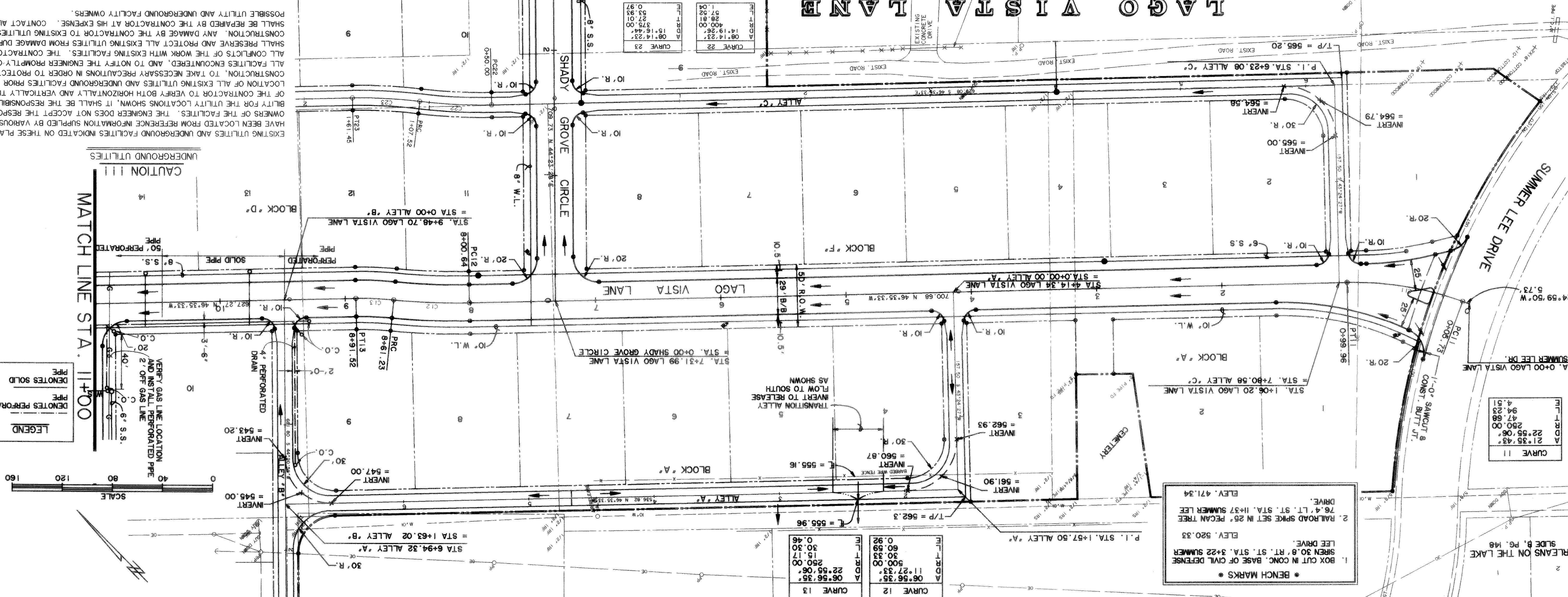
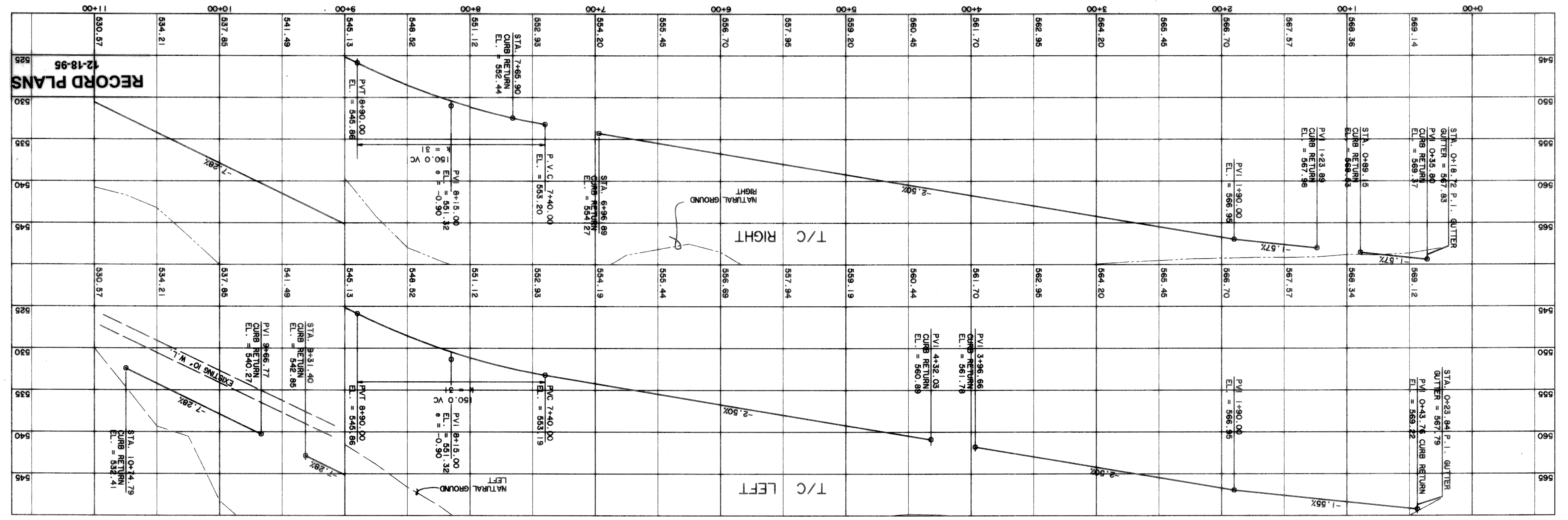


LAGO VISTA LANE
PLAN AND PROFILES
STA. 0+00 TO STA. 11+00

CITY OF ROCKWALL
ROCKWALL COUNTY, TEXAS

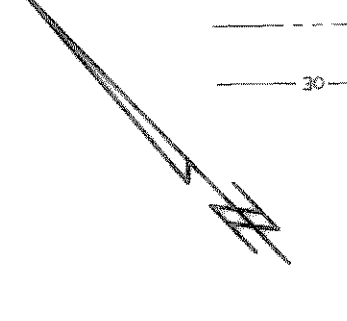
PREPARED BY:
WIA WIER & ASSOCIATES, INC.
ENGINEERS SURVEYORS LAND PLANNERS
4300 BELLEVUE PLACE, SUITE 130, ARLINGTON, TEXAS 76010, PHONE (817) 467-7700
3008 SOUTH FREEMAN, FORT WORTH, TEXAS 76110, (817) 923-0212



EXISTING UTILITIES AND UNDERGROUND FACILITIES INDICATED ON THESE PLANS HAVE BEEN LOCATED FROM REFERENCE INFORMATION SUPPLIED BY VARIOUS OWNERS OF THE FACILITIES. THE ENGINEER DOES NOT ACCEPT THE RESPONSIBILITY FOR THE UTILITY LOCATIONS SHOWN. IT SHALL BE THE RESPONSIBILITY OF THE CONTRACTOR TO VERIFY BOTH HORIZONTALLY AND VERTICALLY THE LOCATION OF ALL EXISTING UTILITIES AND UNDERGROUND FACILITIES PRIOR TO CONSTRUCTION. TO TAKE NECESSARY PRECAUTIONS IN ORDER TO PROTECT ALL FACILITIES ENCOUNTERED, AND TO NOTIFY THE ENGINEER PROMPTLY OF ALL CONFLICTS OF THE WORK WITH EXISTING UTILITIES. THE CONTRACTOR SHALL PRESERVE AND PROTECT ALL EXISTING UTILITIES FROM DAMAGE DURING CONSTRUCTION. ANY DAMAGE BY THE CONTRACTOR TO EXISTING UTILITIES SHALL BE REPAIRED BY THE CONTRACTOR AT HIS EXPENSE. CONTACT ALL POSSIBLE UTILITY AND UNDERGROUND FACILITY OWNERS.

LEGEND
 DOTTED PERFORATED PIPE
 PERFORATED PIPE
 SOLID PIPE
 DENOTES SOLID PIPE
 DENOTES PERFORATED PIPE

VERIFY GAS LINE LOCATION AND INSTALL PERFORATED PIPE AND INSTALL PERFORATED PIPE 2' OFF GAS LINE.
 4" PERFORATED DRAIN
 6" S.S.
 8" S.S.
 10" R.
 12" R.
 14" R.
 16" R.
 18" R.
 20" R.
 24" R.
 30" R.



- * BENCH MARKS *
- BOX CUT IN CONC. BASE OF CIVIL DEFENSE SIREN 30.8' RT. ST. STA. 3+22 SUMMER LEE DRIVE. ELEV. 520.33
 - RAILROAD SPIKE SET IN 25' PECAN TREE 76.4' LT. ST. STA. 11+37 SUMMER LEE DRIVE. ELEV. 471.34

STATION	ELEVATION
0+00	569.14
0+10	568.36
0+20	566.70
0+30	564.20
0+40	561.70
0+50	559.20
0+60	556.70
0+70	554.20
0+80	551.70
0+90	549.20
1+00	546.70
1+10	544.20
1+20	541.70
1+30	539.20
1+40	536.70
1+50	534.20
1+60	531.70
1+70	529.20
1+80	526.70
1+90	524.20
2+00	521.70
2+10	519.20
2+20	516.70
2+30	514.20
2+40	511.70
2+50	509.20
2+60	506.70
2+70	504.20
2+80	501.70
2+90	499.20
3+00	496.70
3+10	494.20
3+20	491.70
3+30	489.20
3+40	486.70
3+50	484.20
3+60	481.70
3+70	479.20
3+80	476.70
3+90	474.20
4+00	471.70
4+10	469.20
4+20	466.70
4+30	464.20
4+40	461.70
4+50	459.20
4+60	456.70
4+70	454.20
4+80	451.70
4+90	449.20
5+00	446.70
5+10	444.20
5+20	441.70
5+30	439.20
5+40	436.70
5+50	434.20
5+60	431.70
5+70	429.20
5+80	426.70
5+90	424.20
6+00	421.70
6+10	419.20
6+20	416.70
6+30	414.20
6+40	411.70
6+50	409.20
6+60	406.70
6+70	404.20
6+80	401.70
6+90	399.20
7+00	396.70
7+10	394.20
7+20	391.70
7+30	389.20
7+40	386.70
7+50	384.20
7+60	381.70
7+70	379.20
7+80	376.70
7+90	374.20
8+00	371.70
8+10	369.20
8+20	366.70
8+30	364.20
8+40	361.70
8+50	359.20
8+60	356.70
8+70	354.20
8+80	351.70
8+90	349.20
9+00	346.70
9+10	344.20
9+20	341.70
9+30	339.20
9+40	336.70
9+50	334.20
9+60	331.70
9+70	329.20
9+80	326.70
9+90	324.20
10+00	321.70
10+10	319.20
10+20	316.70
10+30	314.20
10+40	311.70
10+50	309.20
10+60	306.70
10+70	304.20
10+80	301.70
10+90	299.20
11+00	296.70

STATION	ELEVATION
0+00	569.14
0+10	568.36
0+20	566.70
0+30	564.20
0+40	561.70
0+50	559.20
0+60	556.70
0+70	554.20
0+80	551.70
0+90	549.20
1+00	546.70
1+10	544.20
1+20	541.70
1+30	539.20
1+40	536.70
1+50	534.20
1+60	531.70
1+70	529.20
1+80	526.70
1+90	524.20
2+00	521.70
2+10	519.20
2+20	516.70
2+30	514.20
2+40	511.70
2+50	509.20
2+60	506.70
2+70	504.20
2+80	501.70
2+90	499.20
3+00	496.70
3+10	494.20
3+20	491.70
3+30	489.20
3+40	486.70
3+50	484.20
3+60	481.70
3+70	479.20
3+80	476.70
3+90	474.20
4+00	471.70
4+10	469.20
4+20	466.70
4+30	464.20
4+40	461.70
4+50	459.20
4+60	456.70
4+70	454.20
4+80	451.70
4+90	449.20
5+00	446.70
5+10	444.20
5+20	441.70
5+30	439.20
5+40	436.70
5+50	434.20
5+60	431.70
5+70	429.20
5+80	426.70
5+90	424.20
6+00	421.70
6+10	419.20
6+20	416.70
6+30	414.20
6+40	411.70
6+50	409.20
6+60	406.70
6+70	404.20
6+80	401.70
6+90	399.20
7+00	396.70
7+10	394.20
7+20	391.70
7+30	389.20
7+40	386.70
7+50	384.20
7+60	381.70
7+70	379.20
7+80	376.70
7+90	374.20
8+00	371.70
8+10	369.20
8+20	366.70
8+30	364.20
8+40	361.70
8+50	359.20
8+60	356.70
8+70	354.20
8+80	351.70
8+90	349.20
9+00	346.70
9+10	344.20
9+20	341.70
9+30	339.20
9+40	336.70
9+50	334.20
9+60	331.70
9+70	329.20
9+80	326.70
9+90	324.20
10+00	321.70
10+10	319.20
10+20	316.70
10+30	314.20
10+40	311.70
10+50	309.20
10+60	306.70
10+70	304.20
10+80	301.70
10+90	299.20
11+00	296.70