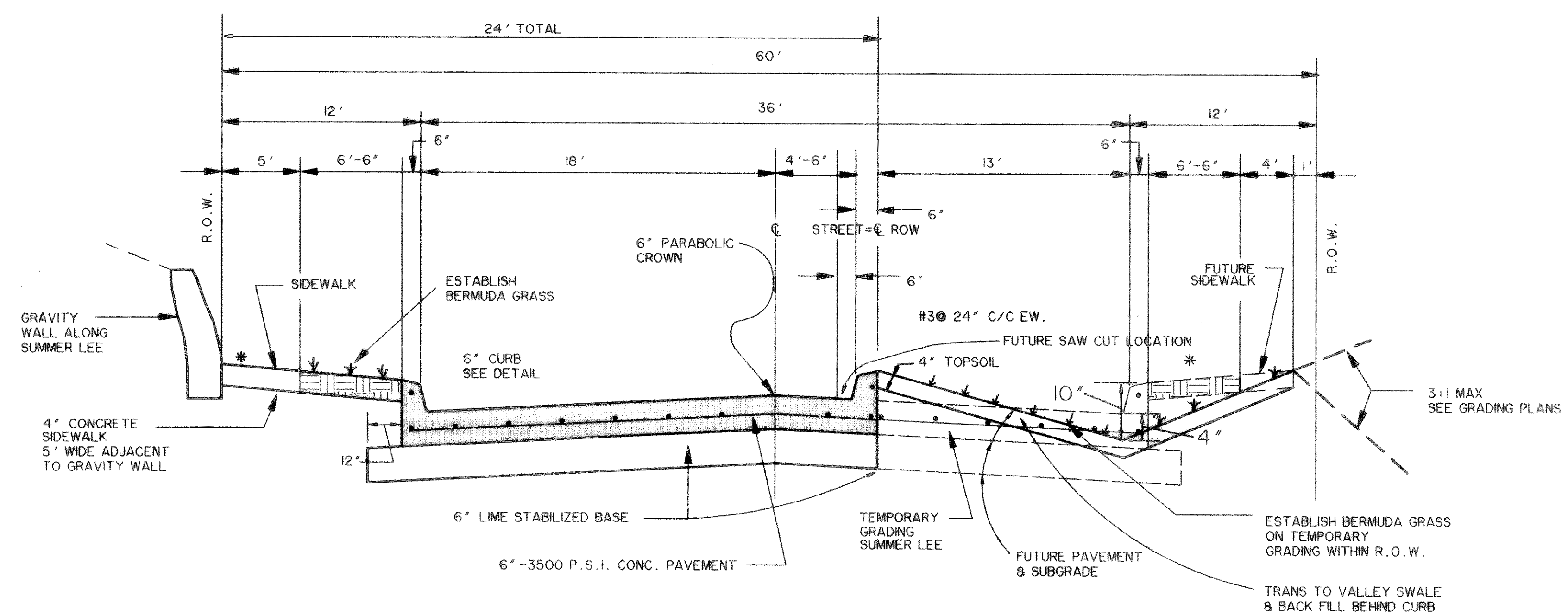


**BUTT JOINT**

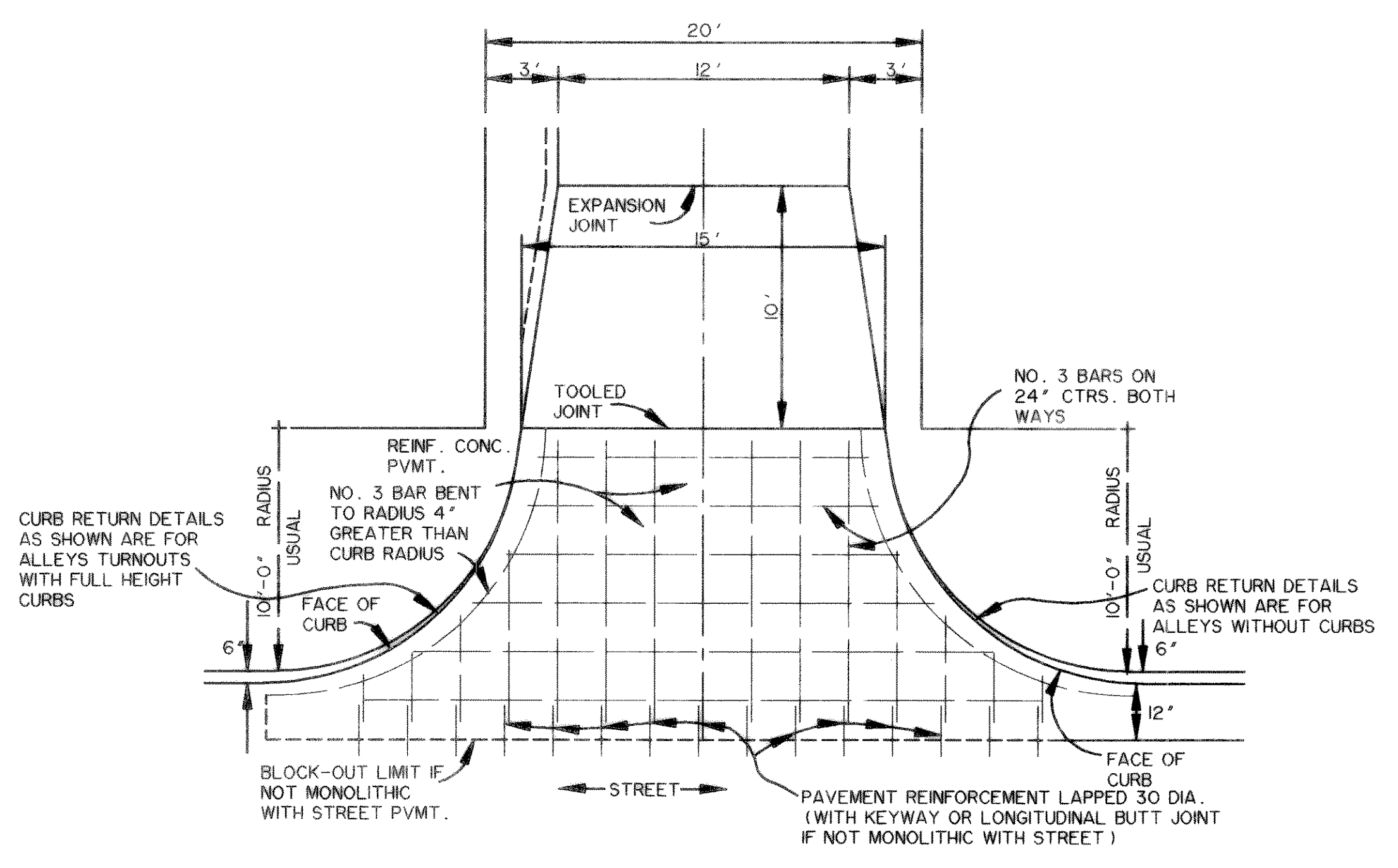
N.T.S.

- NOTES:  
T = PAVEMENT THICKNESS
- No. 5 DOWEL BAR MAY BE USED IN PAVEMENT WITH 6" THICKNESS OR LESS.
  - DOWEL BARS SHALL BE DRILLED INTO PAVEMENT HORIZONTALLY BY USE OF A MECHANICAL RIG. DRILLING BY HAND IS NOT ACCEPTABLE. PUSHING DOWEL BARS INTO GREEN CONCRETE IS NOT ACCEPTABLE. SECURE DOWEL BARS IN EXISTING PAVING WITH EPOXY GROUT.

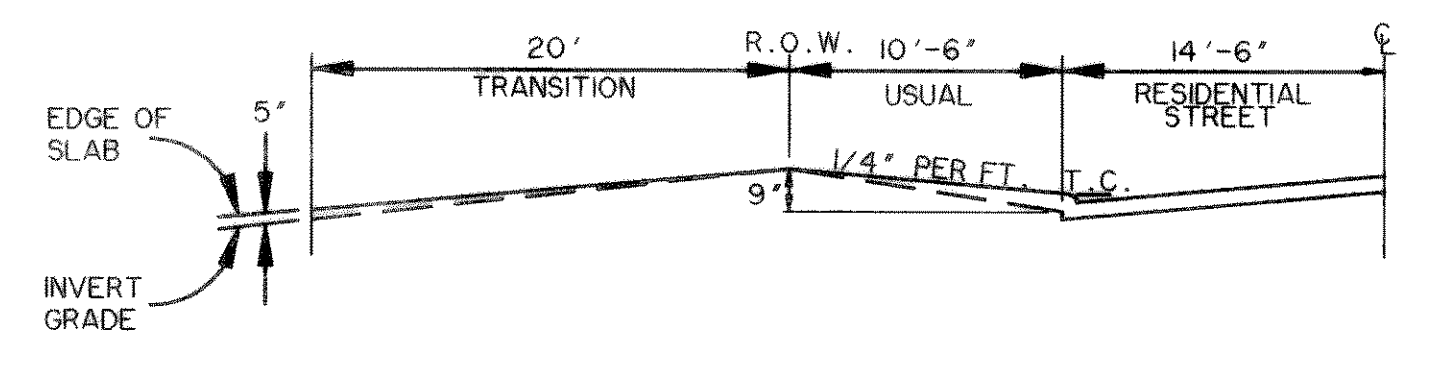


**MINOR COLLECTOR**

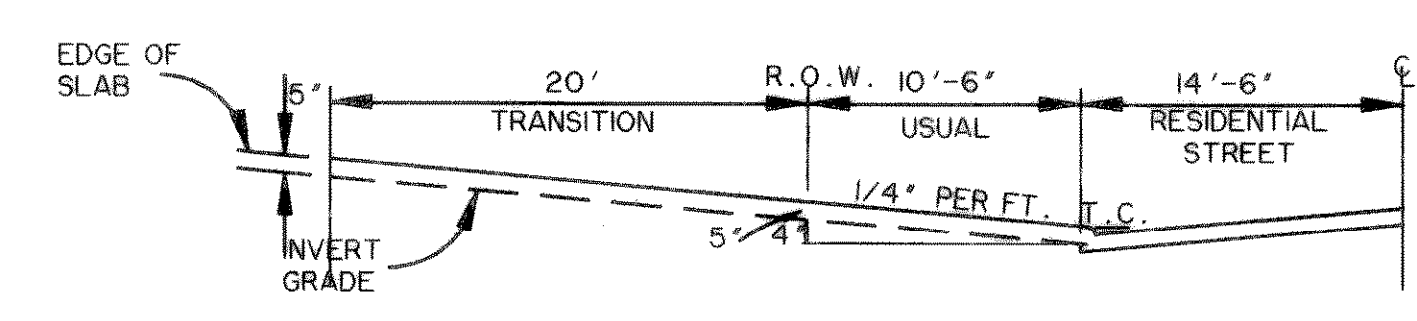
- 1/4" /FT. MIN. SLOPE & 1/2" /FT. MAX. SLOPE
- ESTABLISH BERMUDA GRASS IN PARKWAYS AND SLOPES.
- PROVIDE MINIMUM 4" TOPSOIL.



**ALLEY RETURN DETAILS**



**TYPE I ALLEY ENTRANCE**



**TYPE II ALLEY ENTRANCE**

PREPARED BY:  
**WIER & ASSOCIATES, INC.**  
ENGINEERS SURVEYORS LAND PLANNERS  
4300 BELWY PLACE SUITE 130 ARLINGTON, TEXAS 76018 METRO (817)467-7700  
3908 SOUTH FREEWAY FORT WORTH, TEXAS 76110 (817)826-0212

**CITY OF ROCKWALL  
ROCKWALL COUNTY, TEXAS**

**TYPICAL SECTION**



**RECORD PLANS**  
12-18-95

COPYRIGHT © WIER & ASSOCIATES, INC.  
LAST SHEET EDIT DATE 03-18-98  
FILE PVMTSEC  
WA# 93049  
**SHEET NO. 6**