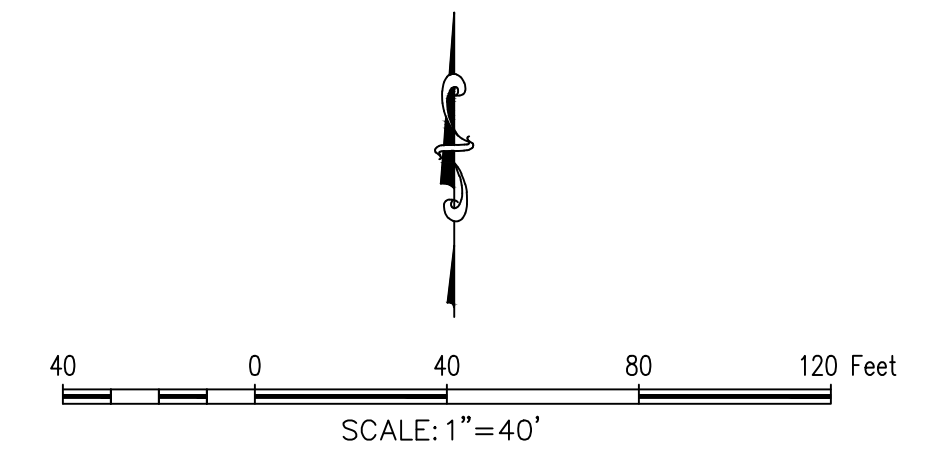
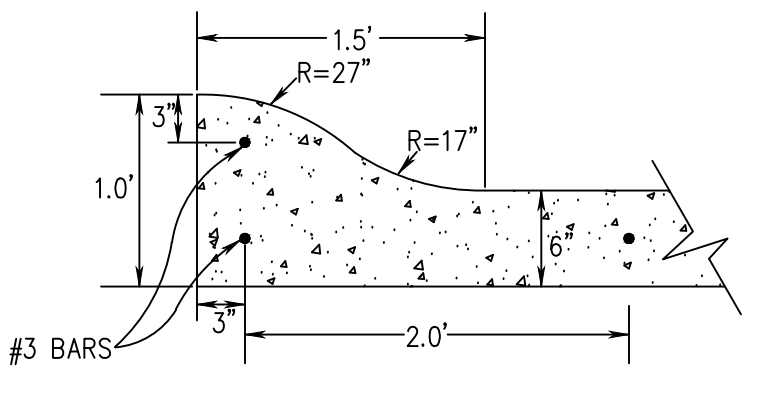


GENERAL NOTES

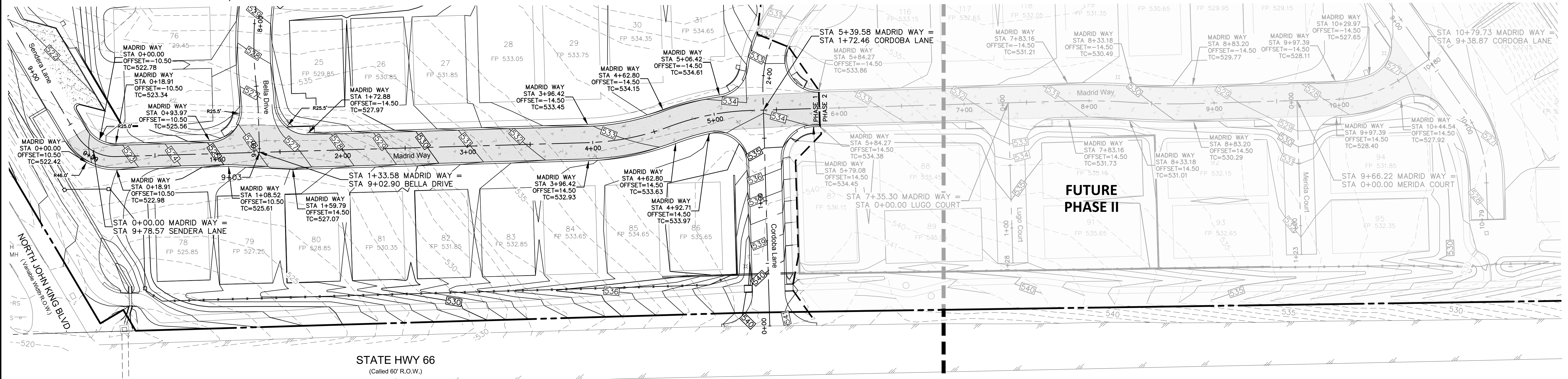
- ALL RESPONSIBILITIES FOR ADEQUACY OF DESIGN REMAINS WITH THE DESIGN ENGINEER. THE CITY OF ROCKWALL, IN REVIEWING AND RELEASING PLANS FOR CONSTRUCTION, ASSUMES NO RESPONSIBILITY FOR ADEQUACY OR ACCURACY OF DESIGN.

PAVING SPECIFICATIONS:

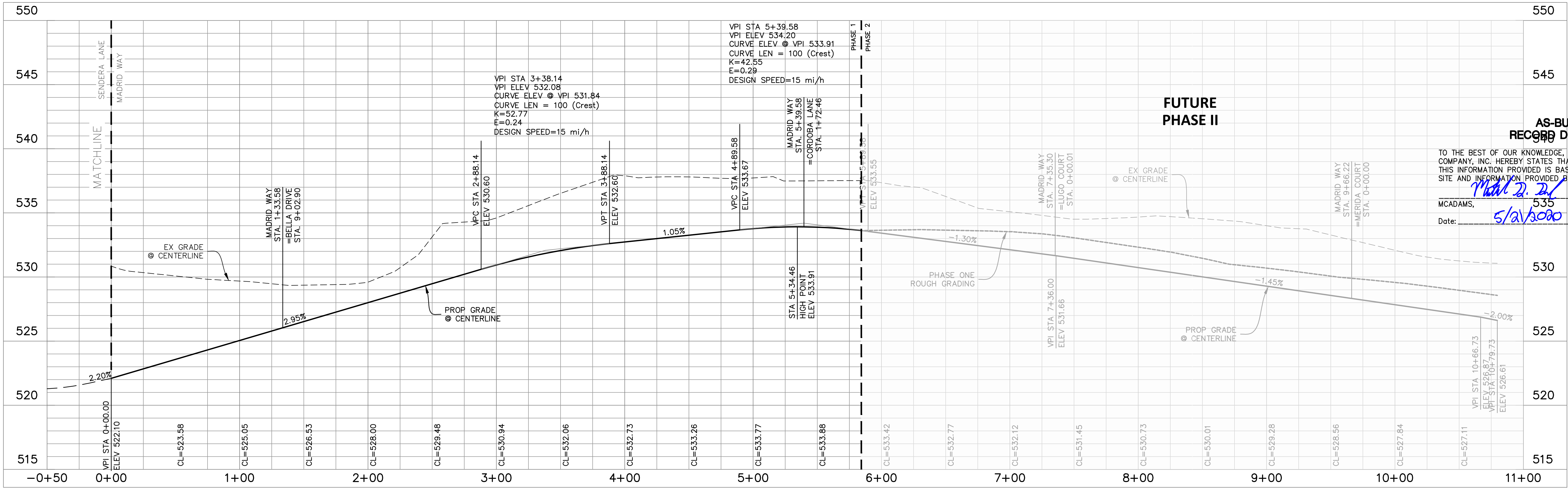
- STREET SECTION:**
6" 3,600 PSI CONC. PAVEMENT W/ #3 BARS @ 24" O.C.E.W. ON 6" LIME STABILIZED SUBGRADE OR APPROVED EQUAL DENSITY. MINIMUM 6.5 SACK MIX
- R.O.W./TURN LANE:**
9" 5,000 PSI CONC. PAVEMENT W/ #3 BARS @ 18" O.C.E.W. ON 8" LIME STABILIZED SUBGRADE OR APPROVED EQUAL DENSITY. MINIMUM 7.5 SACK MIX
- PARKING SECTION:**
5" 3,600 PSI CONC. PAVEMENT W/ #3 BARS @ 24" O.C.E.W. ON SUB-BASE COMPACTED TO 95% STD. PROCTOR DENSITY DENSITY. MINIMUM 6.5 SACK MIX.



BM: CITY OF ROCKWALL CONTROL MONUMENT "COR-1" CALLED ELEV. 523.27. MEASURED ELEV. = 523.56
 BM: CITY OF ROCKWALL CONTROL MONUMENT "COR-2" CALLED ELEV. 529.10. MEASURED ELEV. = 529.37



STATE HWY 66
(Called 60' R.O.W.)



AS-BUILT RECORD DRAWING
 TO THE BEST OF OUR KNOWLEDGE, THE JOHN R. MCADAMS COMPANY, INC. HEREBY STATES THAT THIS PLAN IS AS-BUILT. THIS INFORMATION PROVIDED IS BASED ON SURVEYING AT THE SITE AND INFORMATION PROVIDED BY THE CONTRACTOR.
 MCADAMS, 535
 Date: 5/21/2020

MCADAMS
 LADERA ROCKWALL PHASE 1
 Lot 1, Block A & Lot 1, Block B
 LADERA ROCKWALL
 47.694 Acres
 M. JONES SURVEY, ABSTRACT NO. 122
 CITY OF ROCKWALL
 ROCKWALL COUNTY, TEXAS

MADRID WAY PLAN & PROFILE (PHI-PIII)

MADRID WAY PLAN & PROFILE (PHI-PIII)

STATE OF TEXAS
 MICHAEL D. DUVAL
 133095
 LICENSED PROFESSIONAL ENGINEER

MCADAMS
 TBPE 19782

Drawn By: AM
Date: 02/23/2018
Scale: H1=40' V 1=4'
Revisions:
04/23/2018
07/16/2018
09/06/2018
01/28/2019
02/11/2019
03/11/2019 Signed

17191

C22

File: 2_201817191 (D:\work\17191 & Court Plans\17191\17191_A311.dwg) Plot Date: 5/21/2020 11:50 AM. Plotter: Sweet's 5/20/2009 4.15 PLS by mcdam