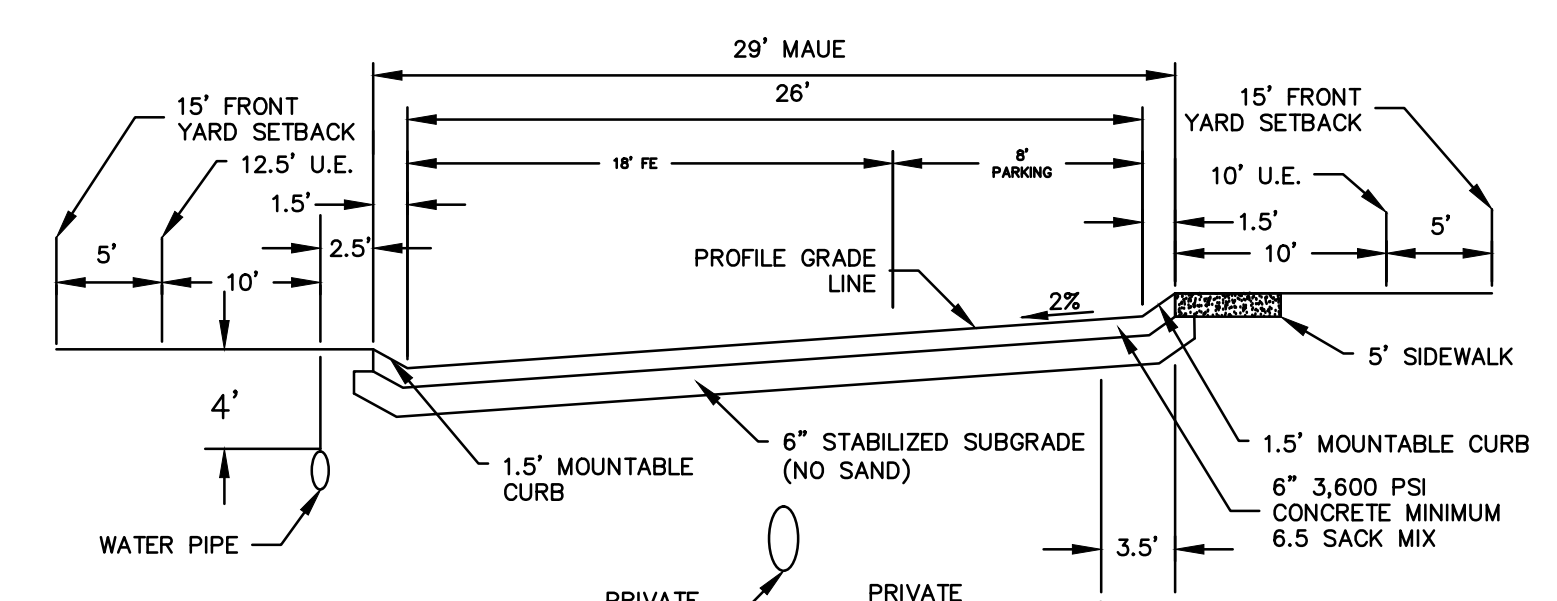


BM: CITY OF ROCKWALL CONTROL MONUMENT "COR-1" CALLED ELEV. 523.27.
MEASURED ELEV. = 523.56
BM: CITY OF ROCKWALL CONTROL MONUMENT "COR-2" CALLED ELEV. 529.10.
MEASURED ELEV. = 529.37

GENERAL NOTES
1. ALL RESPONSIBILITIES FOR ADEQUACY OF DESIGN REMAINS WITH THE DESIGN ENGINEER. THE CITY OF ROCKWALL, IN REVIEWING AND RELEASING PLANS FOR CONSTRUCTION, ASSUMES NO RESPONSIBILITY FOR ADEQUACY OR ACCURACY OF DESIGN.

PAVING SPECIFICATIONS:

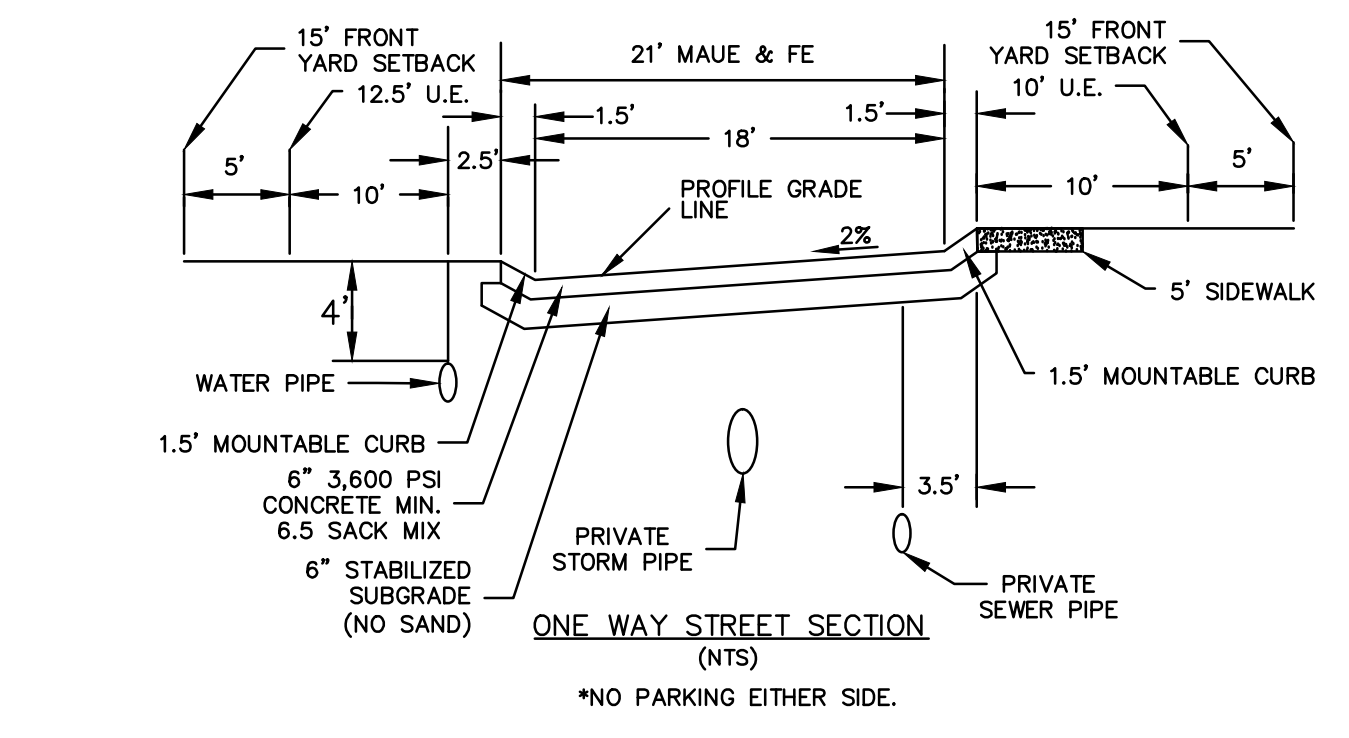
- STREET SECTION:**
6" 3,600 PSI CONC. PAVEMENT W/ #3 BARS @ 24" O.C.E.W. ON 6" LIME STABILIZED SUBGRADE OR APPROVED EQUAL DENSITY. MINIMUM 6.5 SACK MIX
- R.O.W./TURN LANE:**
9" 5,000 PSI CONC. PAVEMENT W/ #3 BARS @ 18" O.C.E.W. ON 8" LIME STABILIZED SUBGRADE OR APPROVED EQUAL DENSITY. MINIMUM 7.5 SACK MIX
- PARKING SECTION:**
5" 3,600 PSI CONC. PAVEMENT W/ #3 BARS @ 24" O.C.E.W. ON SUB-BASE COMPACTED TO 95% STD. PROCTOR DENSITY DENSITY. MINIMUM 6.5 SACK MIX.



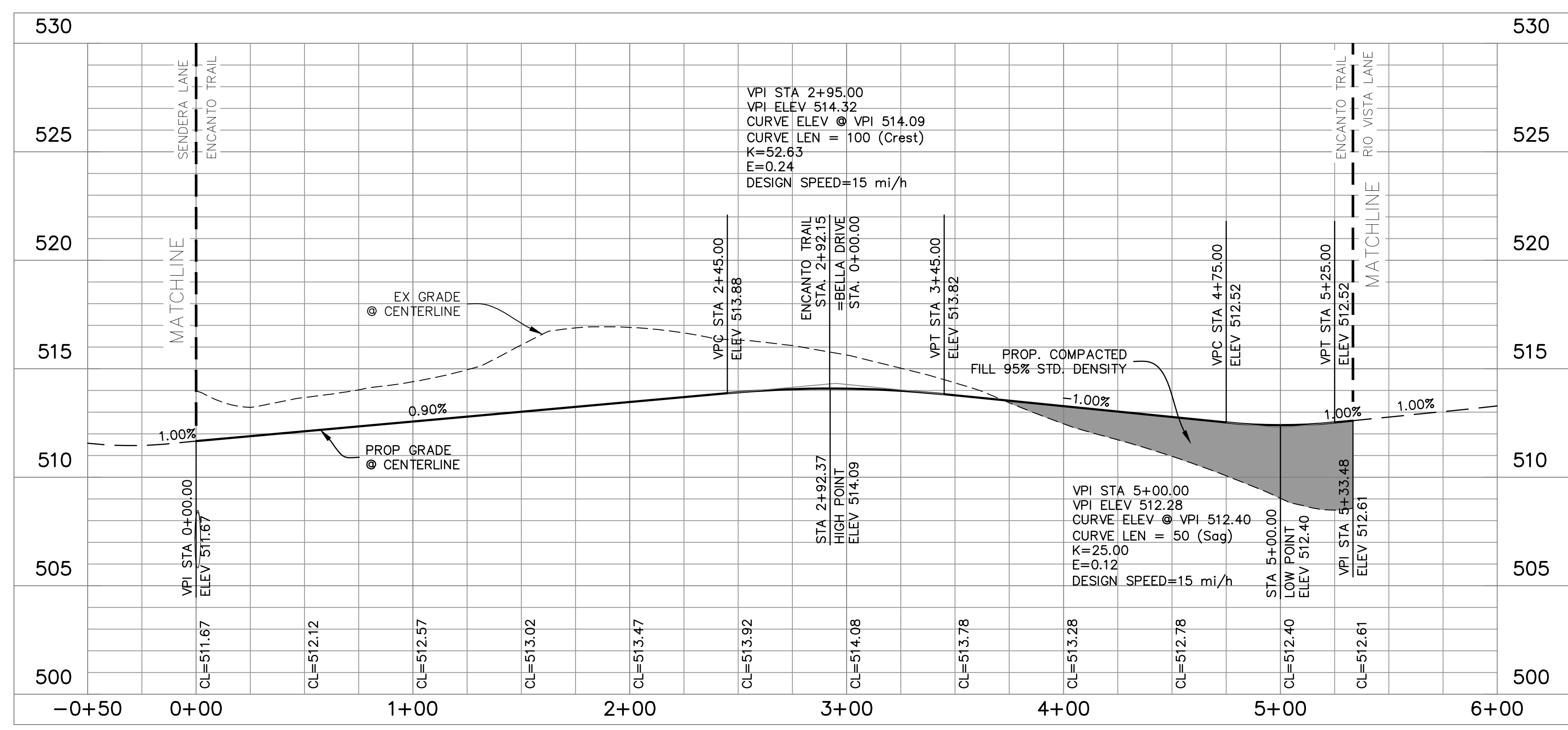
AS-BUILT RECORD DRAWING

TO THE BEST OF OUR KNOWLEDGE, THE JOHN R. MCADAMS COMPANY, INC. HEREBY STATES THAT THIS PLAN IS AS-BUILT. THIS INFORMATION PROVIDED IS BASED ON SURVEYING AT THE SITE AND INFORMATION PROVIDED BY THE CONTRACTOR.

MCADAMS,
Date: 5/24/2020



*NO PARKING EITHER SIDE.



ENCANTO TRAIL

MCADAMS
The John R. McAdams Company, Inc.
111 Hillside Drive
Lewisville, Texas 75057
972.436.9712
201 Country View Drive
Rockwall, Texas 75087
940.240.1012
TBPE: 19782 TBPLS: 10194440
www.mcadams.com

LADERA ROCKWALL PHASE 1
Lot 1, Block A & Lot 1, Block B
LADERA ROCKWALL
47.694 Acres
M. JONES SURVEY, ABSTRACT NO. 122
CITY OF ROCKWALL
ROCKWALL COUNTY, TEXAS

**ENCANTO TRAIL
PLAN & PROFILE**

STATE OF TEXAS
MICHAEL D. DUVAL
133095
LICENSED PROFESSIONAL ENGINEER

MCADAMS
TBPE: 19782

Drawn By: AM
Date: 02/23/2018
Scale: H1=40'; V 1=4'
Revisions:
04/23/2018
09/06/2018
01/28/2019
02/11/2019
03/11/2019 Signed

17191

C18

OWNER/DEVELOPER
RW LADERA, LLC.
361 W. BYRON NELSON BLVD, STE 104
ROANOK, TX 76262
Ph. 817.430.3318
Contact: John Dellin

File: 2_2019\17191\Drawings\17191 Enc Trail Plan.dwg Plot Date: 5/24/2020 3:41 PM by mcdadm