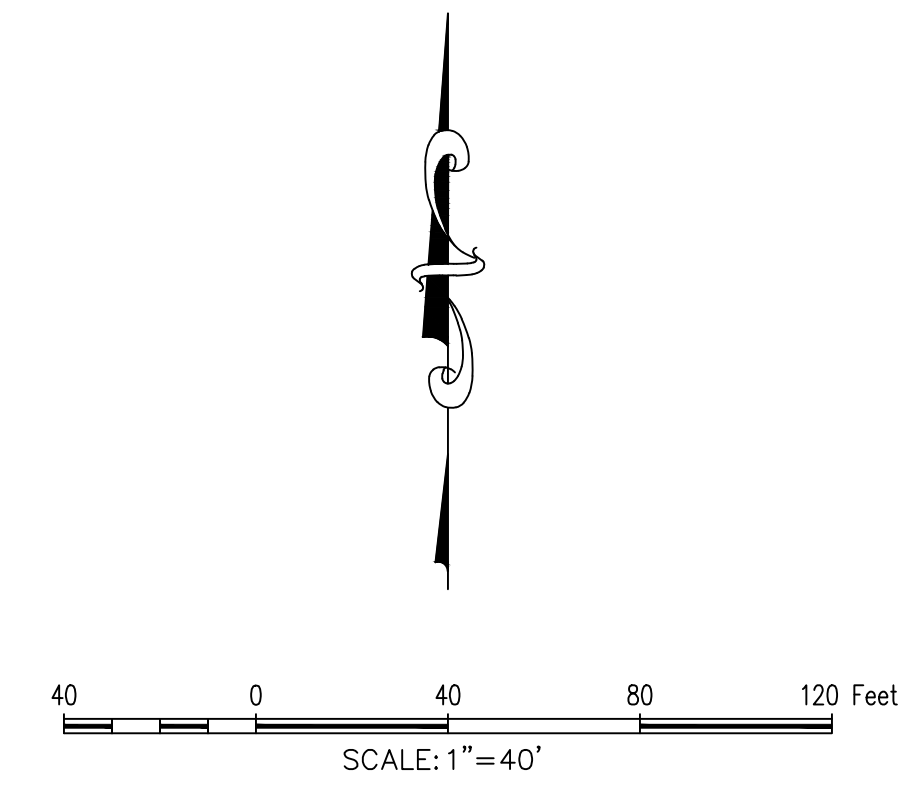


LADERA WAY

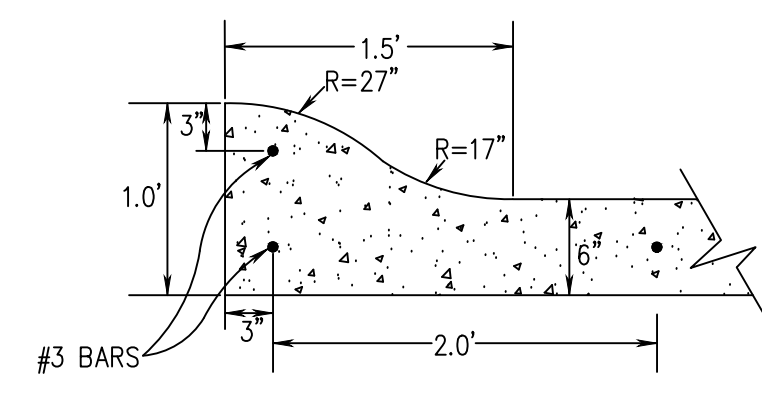


BM: CITY OF ROCKWALL CONTROL MONUMENT "COR-1" CALLED ELEV. 523.27.
MEASURED ELEV. = 523.56
BM: CITY OF ROCKWALL CONTROL MONUMENT "COR-2" CALLED ELEV. 529.10.
MEASURED ELEV. = 529.37

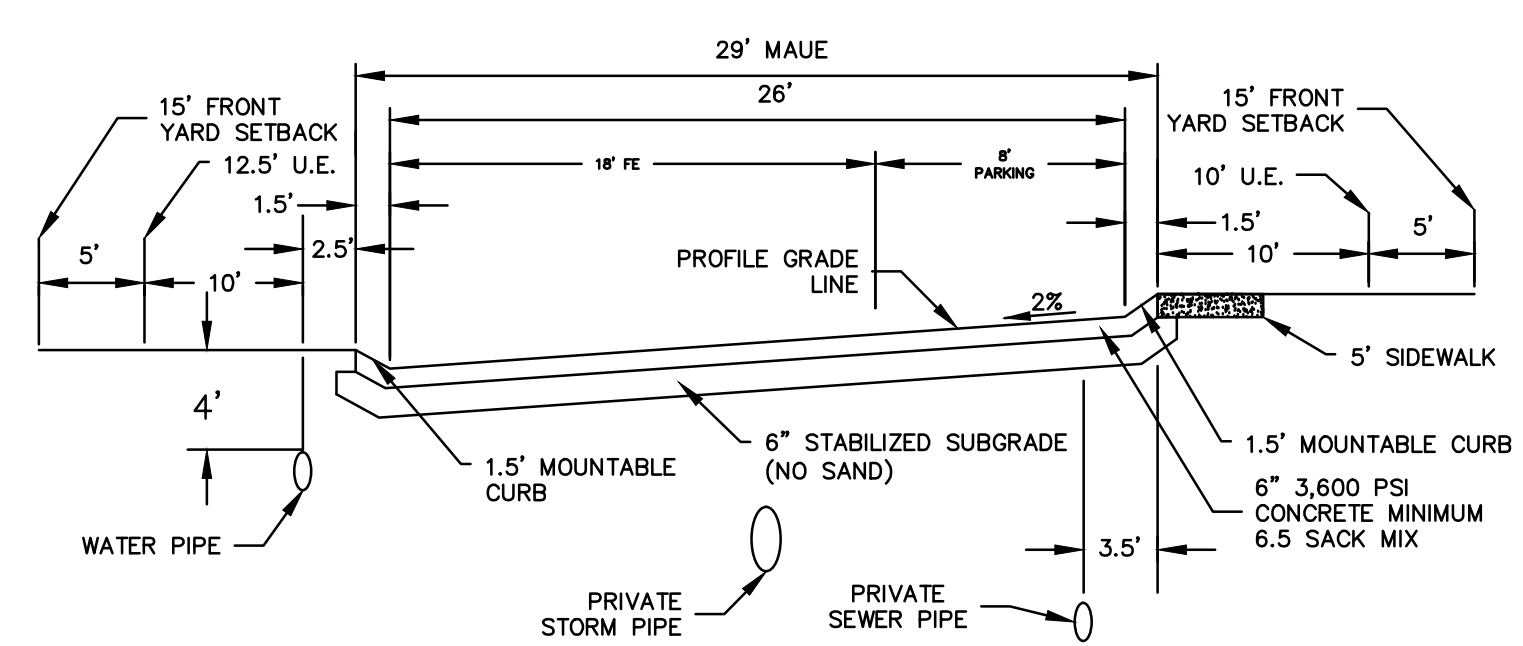
GENERAL NOTES
1. ALL RESPONSIBILITIES FOR ADEQUACY OF DESIGN REMAINS WITH THE DESIGN ENGINEER. THE CITY OF ROCKWALL, IN REVIEWING AND RELEASING PLANS FOR CONSTRUCTION, ASSUMES NO RESPONSIBILITY FOR ADEQUACY OR ACCURACY OF DESIGN.

PAVING SPECIFICATIONS:

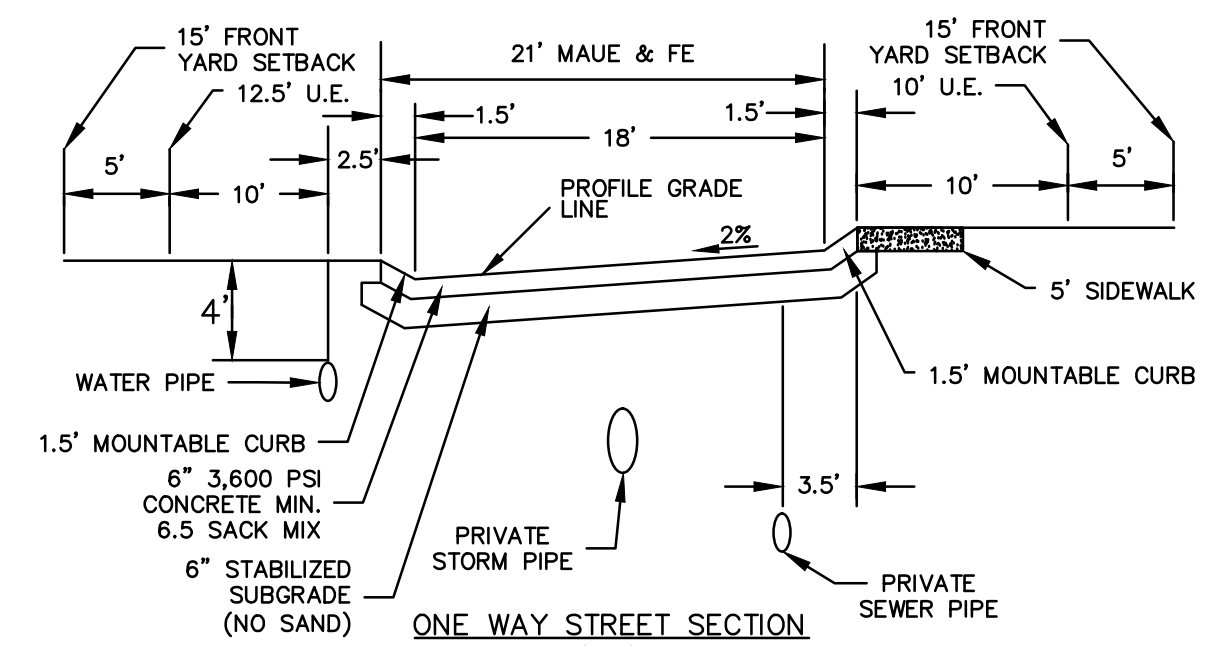
- STREET SECTION:**
6" 3,600 PSI CONC. PAVEMENT W/ #3 BARS @ 24" O.C.E.W. ON 6" LIME STABILIZED SUBGRADE OR APPROVED EQUAL DENSITY. MINIMUM 6.5 SACK MIX
- R.O.W./TURN LANE:**
9" 5,000 PSI CONC. PAVEMENT W/ #3 BARS @ 18" O.C.E.W. ON 8" LIME STABILIZED SUBGRADE OR APPROVED EQUAL DENSITY. MINIMUM 7.5 SACK MIX
- PARKING SECTION:**
5" 3,600 PSI CONC. PAVEMENT W/ #3 BARS @ 24" O.C.E.W. ON SUB-BASE COMPACTED TO 95% STD. PROCTOR DENSITY DENSITY. MINIMUM 6.5 SACK MIX.



MOUNTABLE CURB & GUTTER



PROPOSED STREET SECTION (NTS)
*PARKING ALLOWED ON ONE SIDE OF STREET ONLY (THE HIGH SIDE OF STREET)

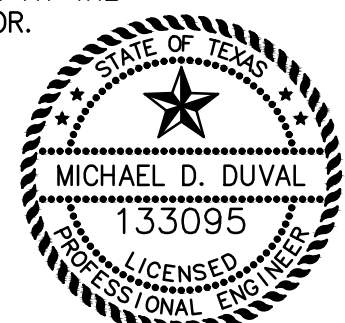


ONE WAY STREET SECTION (NTS)
*NO PARKING EITHER SIDE.

AS-BUILT RECORD DRAWING

TO THE BEST OF OUR KNOWLEDGE, THE JOHN R. MCADAMS COMPANY, INC. HEREBY STATES THAT THIS PLAN IS AS-BUILT. THIS INFORMATION PROVIDED IS BASED ON SURVEYING AT THE SITE AND INFORMATION PROVIDED BY THE CONTRACTOR.

MCADAMS,
Date: 5/21/2020



MCADAMS
TBPE: 19782

Drawn By: AM
Date: 02/23/2018
Scale: H1 = 40' : V 1" = 4'
Revisions:
04/23/2018
07/16/2018
09/06/2018
01/28/2019
02/11/2019
03/11/2019 Signed

17191

C16

OWNER/DEVELOPER
RW LADERA, LLC.
361 W. BYRON NELSON BLVD, STE 104
ROANOKE, TX 76262
Ph. 817.430.3318
Contact: John Dellin

LADERA ROCKWALL PHASE 1
Lot 1, Block A & Lot 1, Block B
LADERA ROCKWALL
47.694 Acres
M. JONES SURVEY, ABSTRACT NO. 122
CITY OF ROCKWALL
ROCKWALL COUNTY, TEXAS



The John R. McAdams Company, Inc.
111 Hillside Drive
Lewisville, Texas 75057
972.436.9712
201 Country View Drive
Rockwall, TX 75087
TBPE: 19782 TBPLS: 10194440
www.mcadamsco.com

LADERA ROCKWALL PHASE 1

File: 2_2017(17191) (04/23/2018) (04/23/2018) LADERA, RW & BLDG
Printed: 5/21/2020 11:44 AM, by Plotter, Sheet: 5/21/2020 3:14 PM, by mcdad