

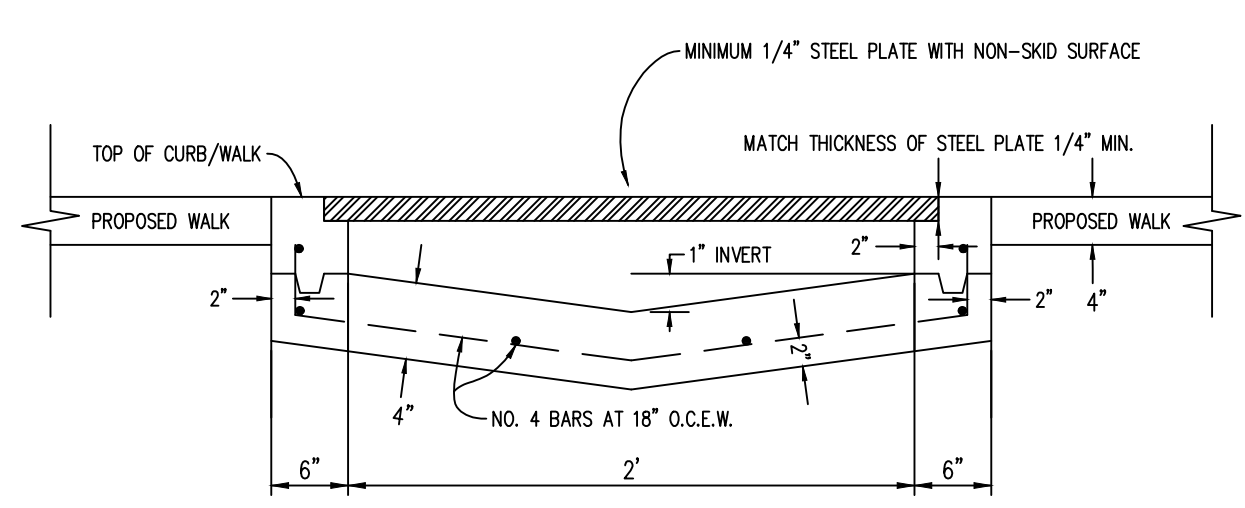
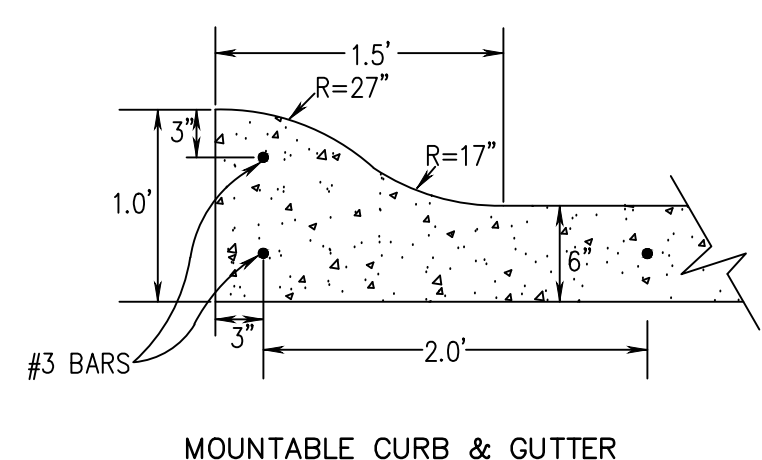
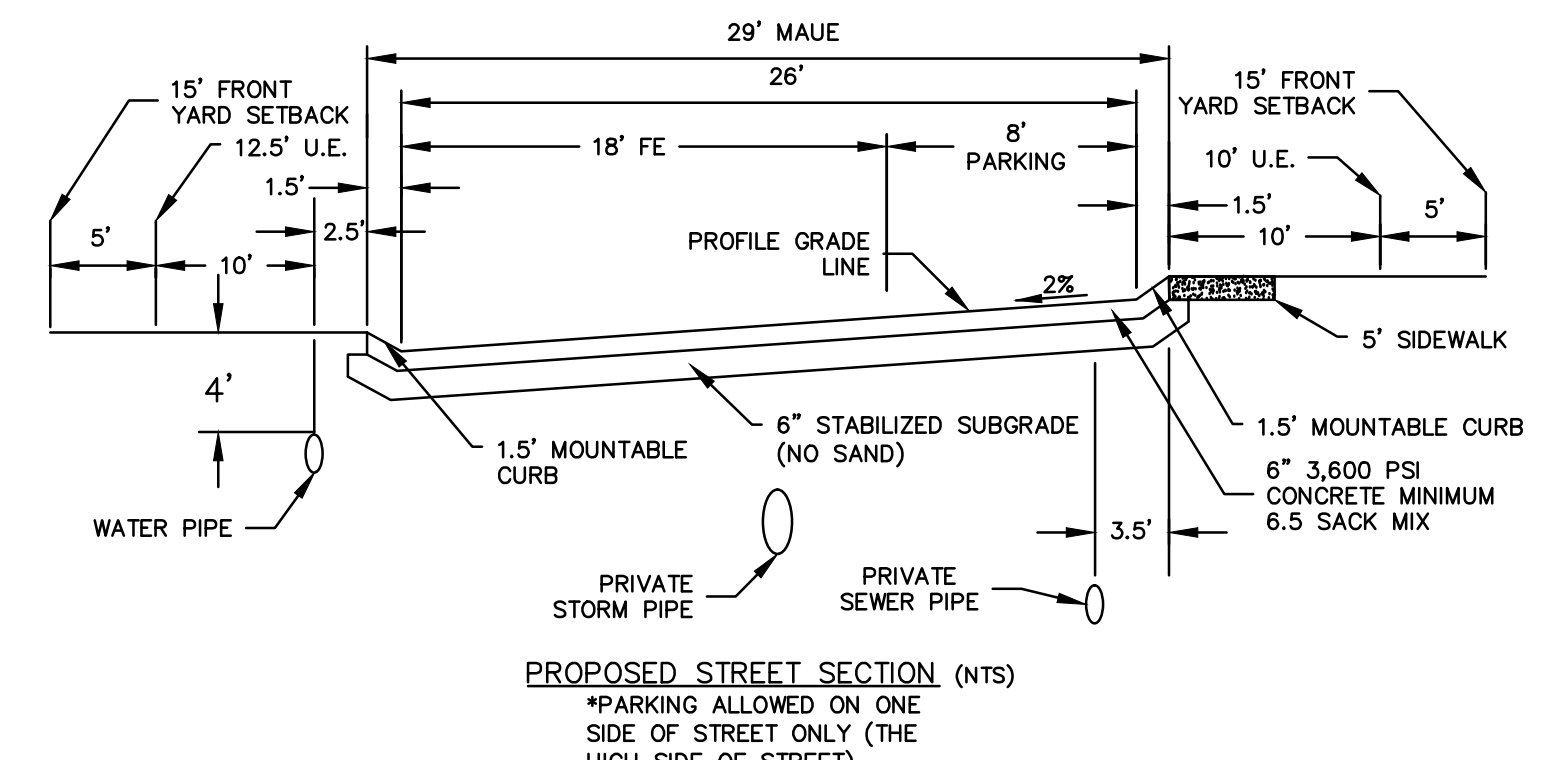
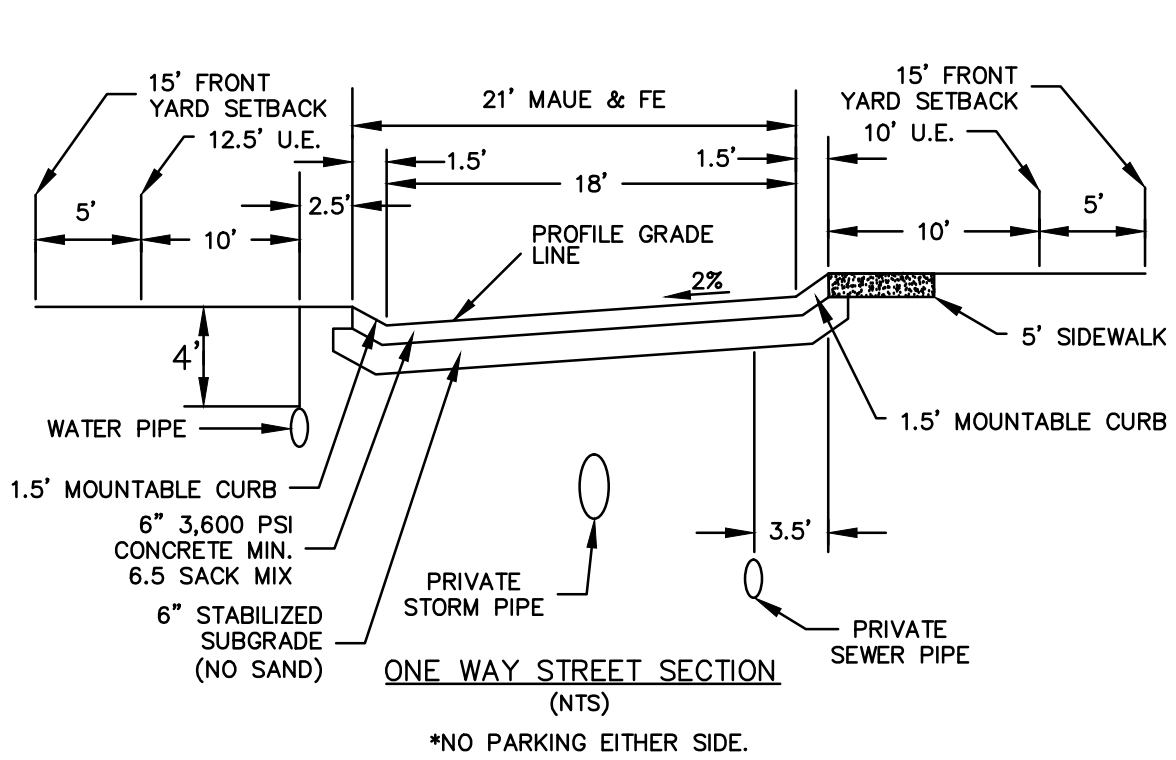
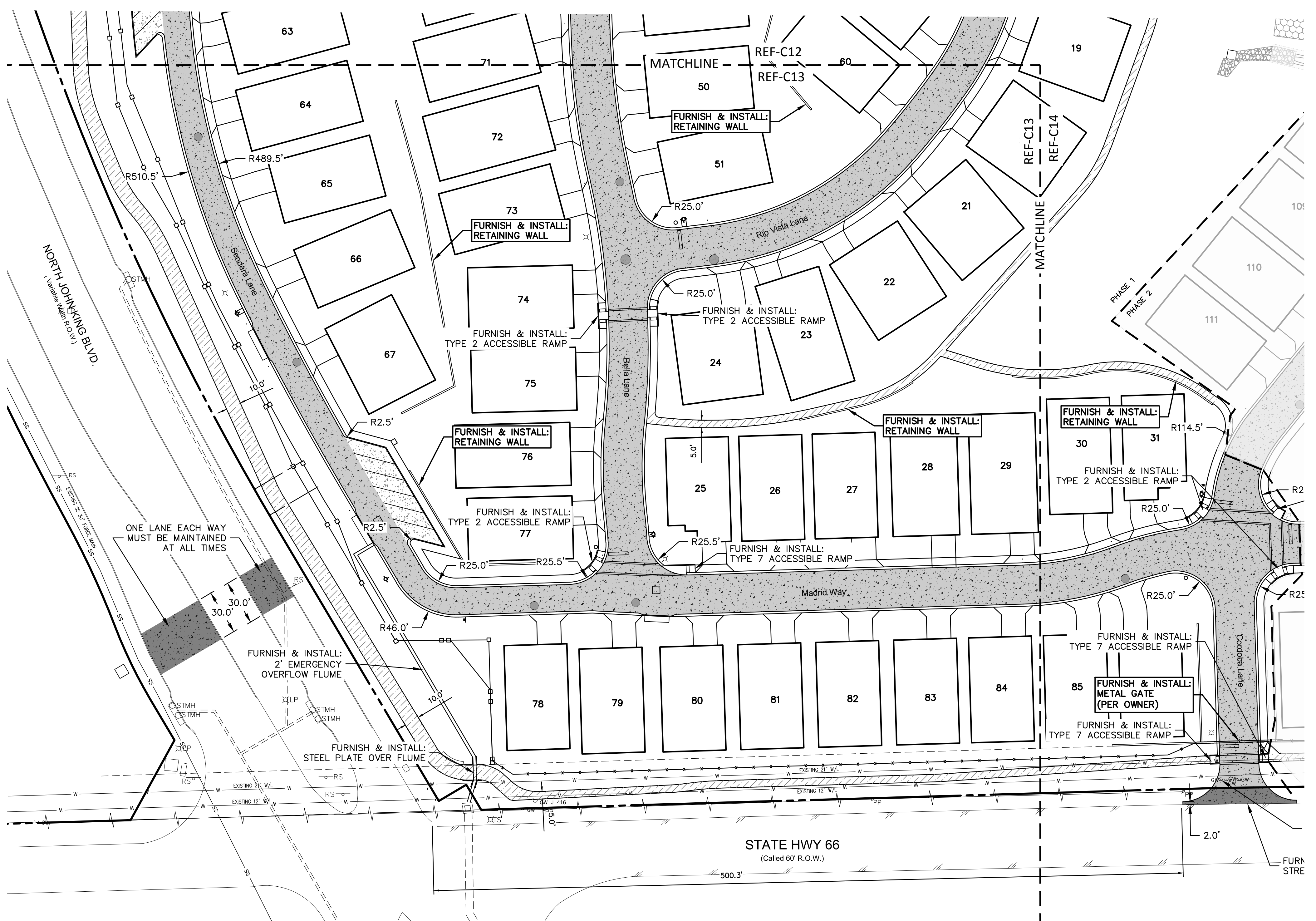
BM: CITY OF ROCKWALL CONTROL MONUMENT "COR-1" CALLED ELEV. 523.27.
 MEASURED ELEV. = 523.56
 BM: CITY OF ROCKWALL CONTROL MONUMENT "COR-2" CALLED ELEV. 529.10.
 MEASURED ELEV. = 529.37

GENERAL NOTES

1. ALL RESPONSIBILITIES FOR ADEQUACY OF DESIGN REMAINS WITH THE DESIGN ENGINEER. THE CITY OF ROCKWALL, IN REVIEWING AND RELEASING PLANS FOR CONSTRUCTION, ASSUMES NO RESPONSIBILITY FOR ADEQUACY OR ACCURACY OF DESIGN.
2. THE CONTRACTOR SHALL VERIFY THE HORIZONTAL AND VERTICAL LOCATIONS OF ALL EXISTING UTILITIES IN THE AREA OF CONSTRUCTION PRIOR TO THE BEGINNING OF CONSTRUCTION.
3. THE CONTRACTOR SHALL NOTIFY ENGINEER OF RECORD OF ANY DISCREPANCIES BETWEEN THESE PLANS AND THE ACTUAL FIELD CONDITIONS.
4. FUTURE 5' SIDEWALK TO BE BUILT BY OTHERS. (AS SHOWN ON ONE SIDE OF THE STREET.)
5. RETAINING WALLS EQUAL TO OR GREATER THAN 3-FOOT HEIGHT (INCLUDING THE FOOTING) MUST BE DESIGNED BY A LICENSED PROFESSIONAL ENGINEER. ALL RETAINING WALLS TO BE STONE MASONRY WALL.
6. CONTRACTOR TO ENSURE THAT THE 5' TRAIL MEETS ADA STANDARDS.
7. REFER TO SHEET C74 FOR DRIVEWAY APPROACH DETAIL.

PAVING SPECIFICATIONS:

- MULTI USE TRAIL:**
 4" 3,600 PSI CONC. PAVEMENT W/ #3 BARS @ 24" O.C.E.W. ON SUB-BASE COMPACTED TO 95% STD. PROCTOR DENSITY. MINIMUM 6.5 SACK MIX.
- PARKING SECTION:**
 5" 3,600 PSI CONC. PAVEMENT W/ #3 BARS @ 24" O.C.E.W. ON SUB-BASE COMPACTED TO 95% STD. PROCTOR DENSITY. MINIMUM 6.5 SACK MIX.
- STREET SECTION:**
 6" 3,600 PSI CONC. PAVEMENT W/ #3 BARS @ 24" O.C.E.W. ON 6" LIME STABILIZED SUBGRADE OR APPROVED EQUAL DENSITY. MINIMUM 6.5 SACK MIX
- R.O.W./TURN LANE:**
 9" 5,000 PSI CONC. PAVEMENT W/ #3 BARS @ 18" O.C.E.W. ON 8" LIME STABILIZED SUBGRADE OR APPROVED EQUAL DENSITY. MINIMUM 7.5 SACK MIX
- FUTURE 5' SIDEWALK SECTION:**
 5" 3,600 PSI CONC. PAVEMENT W/ #3 BARS @ 18" O.C.E.W. ON SUB-BASE COMPACTED TO 95% STD. PROCTOR DENSITY. MINIMUM 6.5 SACK MIX (CONSTRUCTED AT TIME OF BUILDING PERMIT)



TO THE BEST OF OUR KNOWLEDGE, THE JOHN R. MCADAMS COMPANY, INC. HEREBY STATES THAT THIS PLAN IS AS-BUILT. THIS INFORMATION PROVIDED IS BASED ON SURVEYING AT THE SITE AND INFORMATION PROVIDED BY THE CONTRACTOR.

MCADAMS,
 Date: 5/2/2020