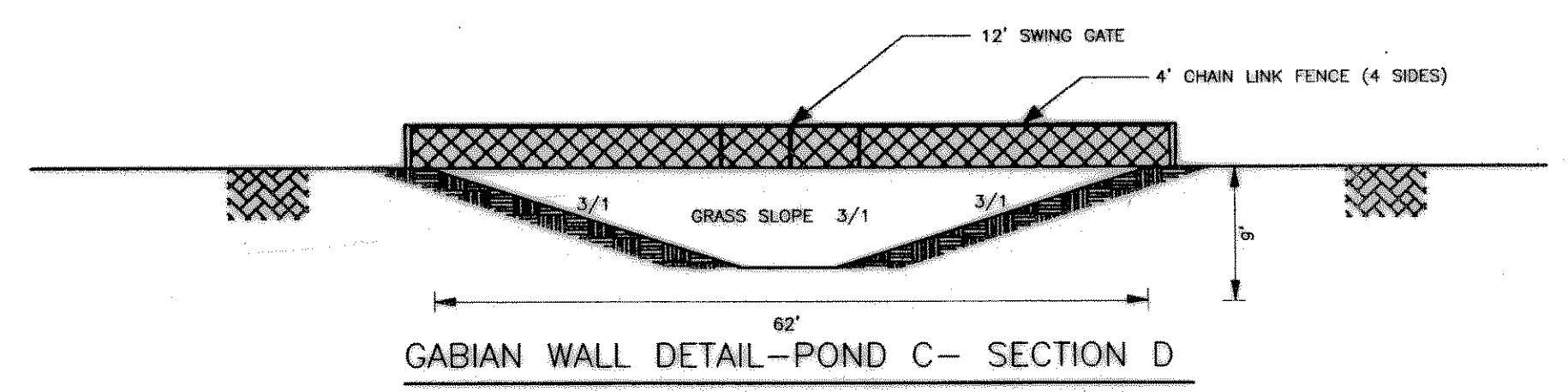
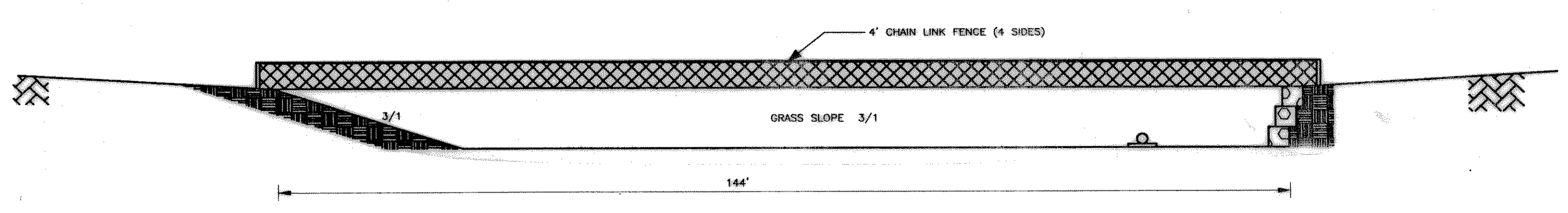
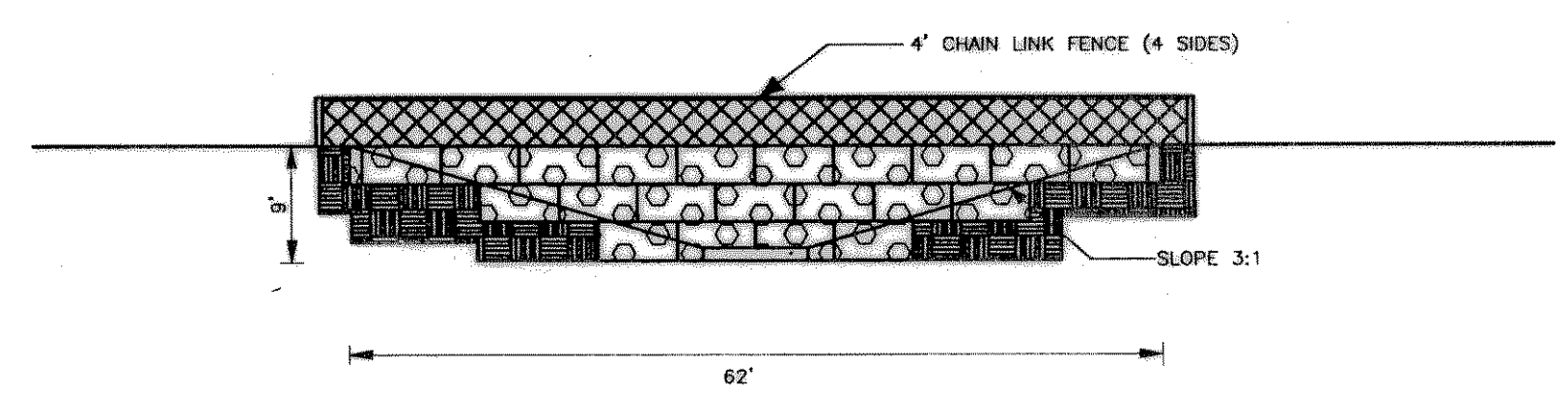
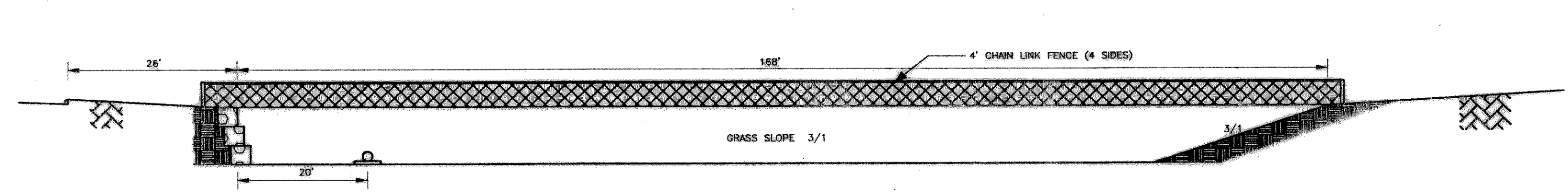


LINE	AREA	C	T	I	Q
D-1	23.83	0.8	9.8	10	81.73
D-2	4.84	.35	9.8	10	16.60



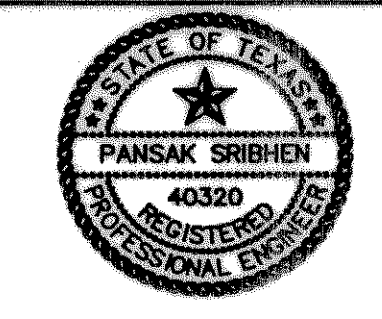
**BENCH MARK(S) :**  
 EXISTING SQUARE CUT ON TOP OF WEST CURB OF LAKESIDE DRIVE  
 LOCATED APPROXIMATELY 120 FEET NORTH OF RAILROAD, AT THE  
 NORTHWEST CORNER. ELEV=506.23

**LEGEND :**

PROP. STM. SWR.	RIGHT-OF-WAY	PROP. FIRE HYDRANT	EXIST. FIRE HYDRANT
EX. STM. SWR.	LOT LINE	PROP. GATE VALVE	EXIST. GATE VALVE
PROP. SAN. SWR.	DITCH FLOWLINE	PROP. MANHOLE	EXIST. MANHOLE
EX. SAN. SWR.	EX. GAS	POWER POLE	CLEANOUT
PROP. WATER	EX. BURIED TELEPHONE	GUY WIRE	WATER METER
EX. WATER	EX. BURIED ELECTRICAL	PHONE BOX	GAS METER
FENCE		ROW-MARKER	ROAD SIGN
		IRON PIN	BENCHMARK
		TRAVERSE POINT	TREE
		MAILBOX	

**REVISIONS**

REV. NO.	DESCRIPTION	DATE	DRWN. BY



**ASA ENGINEERING**  
 17819 DAVENPORT RD, SUITE 215  
 DALLAS, TEXAS 75252  
 (972) 248-9651 FAX (972) 248-9681

**CITY OF ROCKWALL, TEXAS  
 LA JOLLA POINTE ADDITION**

**STORM SEWER PROFILE - LINE D-1  
 AND LINE D-2**

DESIGN	DRAWN	DATE	SCALE	PROJ. No.	SHEET No.
PSA	MIR	2-22-01	1"=20' H 1"=5' V	2001.LJP	D-14

F:\CADD\2001\2001\2001\_1\p\CURRENT\Jlpd13.dwg Tue Apr 03 13:29:24 2001 By: RMG