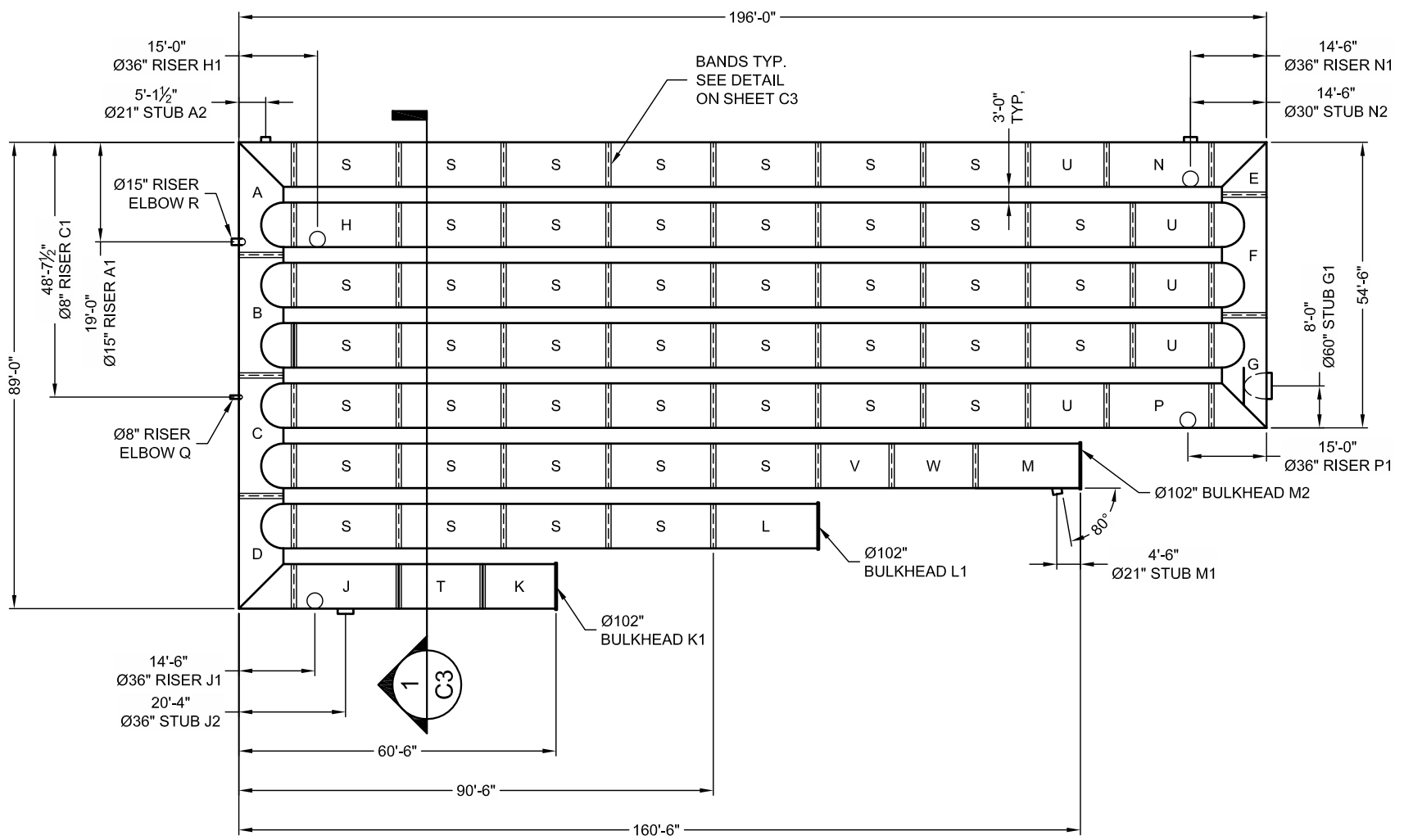


I:\AD\CONTECH\CPL\PROJECTS\ACTIVE\518660\518660-020\CMP_12212015 12:08 PM



CONTRACTOR TO FIELD TRIM RISER ELBOWS TO FIT

STUB INFORMATION		
PIECE	STUB INVERT	SYSTEM INVERT
Ø21" STUB A2	470.20	467.00
Ø60" STUB G1	467.00	467.00
Ø36" STUB J2	468.07	467.00
Ø21" STUB M1	472.01	467.00
Ø30" STUB N2	467.08	467.00

RISER INFORMATION		
PIECE	RIM ELEV.	SYSTEM INVERT
Ø15" RISER A1	476.50	467.00
Ø8" RISER C1	476.50	467.00
Ø36" RISER H1	482.50	467.00
Ø36" RISER J1	483.00	467.00
Ø36" RISER N1	481.00	467.00
Ø36" RISER P1	480.00	467.00

THE UNDERSIGNED HEREBY APPROVES THE ATTACHED (13) PAGES INCLUDING THE FOLLOWING:

- VOLUME = 76,309 CF**
- MAINLINE PIPE GAUGE = 14**
- WALL TYPE = SOLID**
- DIAMETER = 102"**
- FINISH = ALT2**
- CORRUGATION = 5X1**

CUSTOMER

DATE

ASSEMBLY
SCALE: 1" = 30'
VOLUME: 76,309 CF
LOADING: H20/H25
SYSTEM INV = 467±

AS-BUILT

THIS RECORD DRAWING IS COMPILATION OF A COPY OF THE SEALED ENGINEERING DRAWING FOR THIS PROJECT; MODIFIED BY ADDENDA, CHANGE ORDERS, AND INFORMATION FURNISHED BY THE CONTRACTOR. THE INFORMATION SHOWN ON THE RECORD DRAWINGS IS PROVIDED BASED ON SURVEYING AT THE SITE AND INFORMATION PROVIDED BY THE CONTRACTOR OR OTHERS NOT ASSOCIATED WITH THE DESIGN ENGINEER. THE ORIGINAL SEALED DRAWING ARE ON FILE AT THE OFFICES OF WINKELMANN AND ASSOCIATES, INC.

Maurice L. Boilla
WINKELMANN AND ASSOCIATES, INC. 10-19-2016
DATE

- NOTES**
- ALL RISER AND STUB DIMENSIONS ARE TO CENTERLINE.
 - ALL ELEVATIONS, DIMENSIONS, AND LOCATIONS OF RISERS AND INLETS, SHALL BE VERIFIED BY THE ENGINEER OF RECORD PRIOR TO RELEASING FOR FABRICATION.
 - ALL FITTINGS AND REINFORCEMENT COMPLY WITH ASTM A998.
 - ALL RISERS AND STUBS ARE 2 3/8" x 1/2" CORRUGATION AND 16 GAGE UNLESS OTHERWISE NOTED.
 - RISERS TO BE FIELD TRIMMED TO GRADE.
 - QUANTITY OF PIPE SHOWN DOES NOT PROVIDE EXTRA PIPE FOR CONNECTING THE SYSTEM TO EXISTING PIPE OR DRAINAGE STRUCTURES. OUR SYSTEM AS DETAILED PROVIDES NOMINAL INLET AND/OR OUTLET PIPE STUB FOR CONNECTION TO EXISTING DRAINAGE FACILITIES. IF ADDITIONAL PIPE IS NEEDED IT IS THE RESPONSIBILITY OF THE CONTRACTOR.

The design and information shown on this drawing is provided as a service to the project owner, engineer and contractor by Contech Engineered Solutions LLC ("Contech"). Neither this drawing, nor any part thereof, may be used, reproduced or modified in any manner without the prior written consent of Contech. Failure to comply is done at the user's own risk and Contech expressly disclaims any liability or responsibility for such use.

If discrepancies between the supplied information upon which the drawing is based and actual field conditions are encountered as site work progresses, these discrepancies must be reported to Contech immediately for re-evaluation of the design. Contech accepts no liability for designs based on missing, incomplete or inaccurate information supplied by others.

MARK	DATE	REVISION DESCRIPTION	BY

CONTECH
ENGINEERED SOLUTIONS LLC
www.ContechES.com
9025 Centre Pointe Dr., Suite 400, West Chester, OH 45069
800-338-1122 513-645-7000 513-645-7993 FAX

CONTECH
CMP DETENTION SYSTEMS
CONTECH CONTRACT DRAWING

Ø102" UNDERGROUND DETENTION SYSTEM - 518660-020
KROGER - ROCKWALL, TX
ROCKWALL, TX
SITE DESIGNATION: WEST

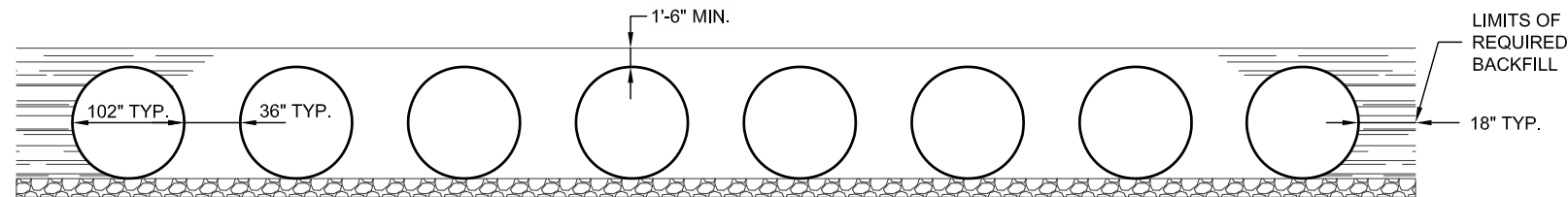
PROJECT No.: 518660	SEQ. No.: 020	DATE: 12/18/15
DESIGNED: SDS	DRAWN: CLB	
CHECKED:	APPROVED:	
SHEET NO.: C1 OF 13		

AS-BUILT

THIS RECORD DRAWING IS COMPILATION OF A COPY OF THE SEALED ENGINEERING DRAWING FOR THIS PROJECT; MODIFIED BY ADDENDA, CHANGE ORDERS, AND INFORMATION FURNISHED BY THE CONTRACTOR. THE INFORMATION SHOWN ON THE RECORD DRAWINGS IS PROVIDED BASED ON SURVEYING AT THE SITE AND INFORMATION PROVIDED BY THE CONTRACTOR OR OTHERS NOT ASSOCIATED WITH THE DESIGN ENGINEER. THE ORIGINAL SEALED DRAWING ARE ON FILE AT THE OFFICES OF WINKELMANN AND ASSOCIATES, INC.

Maurice L. Boilla
WINKELMANN AND ASSOCIATES, INC.

10-19-2016
DATE



TYPICAL SECTION VIEW

SCALE: N.T.S.

FABRICATION BoM

FITTING	TYPE	QTY	Ø	CORRUGATION	GAUGE	FINISH	WALL TYPE	LENGTH	TOTAL
A	MANIFOLD - 1 ELBOW (S)	1	102	5X1	14	ALT2	SOLID	23.5	23.5
A - TEE	TEE	1	102	5X1	14	ALT2	SOLID	6.25	6.25
A1	RISER	1	15	2 2/3X1/2	16	ALT2	SOLID	5.25	5.25
A2	STUB	1	21	2 2/3X1/2	16	ALT2	SOLID	1.08	1.08
B	MANIFOLD - 0 ELBOW (S)	1	102	5X1	14	ALT2	SOLID	23	23
B - TEE	TEE	2	102	5X1	14	ALT2	SOLID	6.25	12.5
C	MANIFOLD - 0 ELBOW (S)	1	102	5X1	14	ALT2	SOLID	23	23
C - TEE	TEE	2	102	5X1	14	ALT2	SOLID	6.25	12.5
C1	RISER	1	8	1 1/2X1/4	16	ALT2	SOLID	5.25	5.25
D	MANIFOLD - 1 ELBOW (S)	1	102	5X1	14	ALT2	SOLID	23.5	23.5
D - TEE	TEE	1	102	5X1	14	ALT2	SOLID	6.25	6.25
E	MANIFOLD - 1 ELBOW (S)	1	102	5X1	14	ALT2	SOLID	12	12
F	MANIFOLD - 0 ELBOW (S)	1	102	5X1	14	ALT2	SOLID	23	23
F - TEE	TEE	2	102	5X1	14	ALT2	SOLID	6.25	12.5
G	MANIFOLD - 1 ELBOW (S)	1	102	5X1	14	ALT2	SOLID	23.5	23.5
G - TEE	TEE	1	102	5X1	14	ALT2	SOLID	6.25	6.25
G1	STUB	1	60	5X1	16	ALT2	SOLID	5.25	5.25
H	PIPE	1	102	5X1	14	ALT2	SOLID	20	20
H1	RISER	1	36	2 2/3X1/2	16	ALT2	SOLID	11.25	11.25
H1A	LADDER	1		16		GALV			
J	PIPE	1	102	5X1	14	ALT2	SOLID	20	20
J1	RISER	1	36	2 2/3X1/2	16	ALT2	SOLID	11.75	11.75
J1A	LADDER	1		16		GALV			

FABRICATION BoM

FITTING	TYPE	QTY	Ø	CORRUGATION	GAUGE	FINISH	WALL TYPE	LENGTH	TOTAL
J2	STUB	1	36	2 2/3X1/2	16	ALT2	SOLID	2.42	2.42
K	PIPE	1	102	5X1	14	ALT2	SOLID	14	14
K1	BULKHEAD	1	102		12	ALT2	SOLID		
L	PIPE	1	102	5X1	14	ALT2	SOLID	20	20
L1	BULKHEAD	1	102		12	ALT2	SOLID		
M	PIPE	1	102	5X1	14	ALT2	SOLID	20	20
M1	STUB	1	21	2 2/3X1/2	16	ALT2	SOLID	1.92	1.92
M2	BULKHEAD	1	102		12	ALT2	SOLID		
N	PIPE	1	102	5X1	14	ALT2	SOLID	20	20
N1	RISER	1	36	2 2/3X1/2	16	ALT2	SOLID	9.75	9.75
N1A	LADDER	1		16		GALV			
N2	STUB	1	30	2 2/3X1/2	16	ALT2	SOLID	4.08	4.08
P	PIPE	1	102	5X1	14	ALT2	SOLID	20	20
P1	RISER	1	36	2 2/3X1/2	16	ALT2	SOLID	8.75	8.75
P1A	LADDER	1		16		GALV			
Q	MANIFOLD - 1 ELBOW (S)	1	8	1 1/2X1/4	16	ALT2	SOLID	6	6
R	MANIFOLD - 1 ELBOW (S)	1	15	2 2/3X1/2	16	ALT2	SOLID	7.25	7.25
S	PIPE	46	102	5X1	14	ALT2	SOLID	20	920
T	PIPE	1	102	5X1	14	ALT2	SOLID	16	16
U	PIPE	5	102	5X1	14	ALT2	SOLID	15	75
V	PIPE	1	102	5X1	14	ALT2	SOLID	14	14
W	PIPE	1	102	5X1	14	ALT2	SOLID	16	16
BAND	12 HUGGER	71	102	W/7" TECHCO WD	18	ALT2			
GASKETS	FLAT	71	102	12" WIDE					

I:\AD\CONTECH\CPL\COMBROOT\MERLIN\PROJECT\ACTIV\518660\518660-020\CMP_20\CMP_20\DET\CONTR\PRE 518660-020\CMP-DET.CONFAB.A.DWG. 12/21/2015 12:08 PM

The design and information shown on this drawing is provided as a service to the project owner, engineer and contractor by Contech Engineered Solutions LLC ("Contech"). Neither this drawing, nor any part thereof, may be used, reproduced or modified in any manner without the prior written consent of Contech. Failure to comply is done at the user's own risk and Contech expressly disclaims any liability or responsibility for such use.

If discrepancies between the supplied information upon which the drawing is based and actual field conditions are encountered as site work progresses, these discrepancies must be reported to Contech immediately for re-evaluation of the design. Contech accepts no liability for designs based on missing, incomplete or inaccurate information supplied by others.

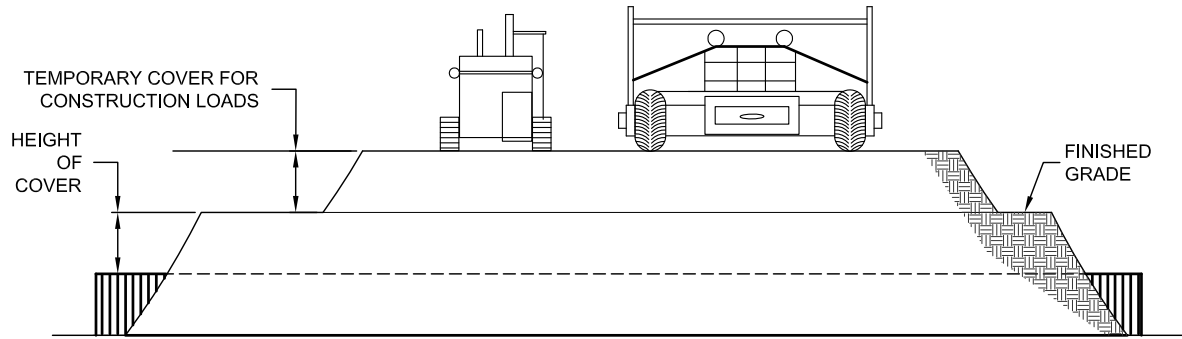
MARK	DATE	REVISION DESCRIPTION	BY

CONTECH
ENGINEERED SOLUTIONS LLC
www.ContechES.com
9025 Centre Pointe Dr., Suite 400, West Chester, OH 45069
800-338-1122 513-645-7000 513-645-7993 FAX

CONTECH
CMP DETENTION SYSTEMS
CONTECH CONTRACT DRAWING

Ø102" UNDERGROUND DETENTION SYSTEM - 518660-020
KROGER - ROCKWALL, TX
ROCKWALL, TX
SITE DESIGNATION: WEST

PROJECT No.: 518660	SEQ. No.: 020	DATE: 12/18/15
DESIGNED: SDS	DRAWN: CLB	
CHECKED:	APPROVED:	
SHEET NO.: C2 OF 13		

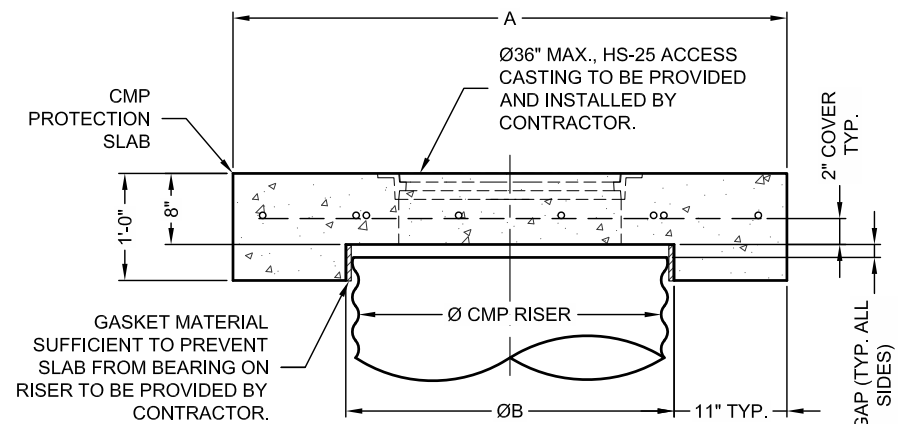


CONSTRUCTION LOADS

FOR TEMPORARY CONSTRUCTION VEHICLE LOADS, AN EXTRA AMOUNT OF COMPACTED COVER MAY BE REQUIRED OVER THE TOP OF THE PIPE. THE HEIGHT-OF-COVER SHALL MEET THE MINIMUM REQUIREMENTS SHOWN IN THE TABLE BELOW. THE USE OF HEAVY CONSTRUCTION EQUIPMENT NECESSITATES GREATER PROTECTION FOR THE PIPE THAN FINISHED GRADE COVER MINIMUMS FOR NORMAL HIGHWAY TRAFFIC.

PIPE SPAN, INCHES	AXLE LOADS (kips)			
	18-50	50-75	75-110	110-150
	MINIMUM COVER (FT)			
12-42	2.0	2.5	3.0	3.0
48-72	3.0	3.0	3.5	4.0
78-120	3.0	3.5	4.0	4.0
126-144	3.5	4.0	4.5	4.5

*MINIMUM COVER MAY VARY, DEPENDING ON LOCAL CONDITIONS. THE CONTRACTOR MUST PROVIDE THE ADDITIONAL COVER REQUIRED TO AVOID DAMAGE TO THE PIPE. MINIMUM COVER IS MEASURED FROM THE TOP OF THE PIPE TO THE TOP OF THE MAINTAINED CONSTRUCTION ROADWAY SURFACE.



SECTION VIEW

REINFORCING TABLE				
Ø CMP RISER	A	Ø B	REINFORCING	**BEARING PRESSURE (PSF)
24"	Ø 4' 4'x4'	26"	#5 @ 10" OCEW #5 @ 10" OCEW	2,540 1,900
30"	Ø 4'-6" 4'-6" x 4'-6"	32"	#5 @ 10" OCEW #5 @ 9" OCEW	2,260 1,670
36"	Ø 5' 5' x 5'	38"	#5 @ 9" OCEW #5 @ 8" OCEW	2,060 1,500
42"	Ø 5'-6" 5'-6" x 5'-6"	44"	#5 @ 8" OCEW #5 @ 8" OCEW	1,490 1,370
48"	Ø 6' 6' x 6'	50"	#5 @ 7" OCEW #5 @ 7" OCEW	1,210 1,270

** ASSUMED SOIL BEARING CAPACITY

3 CONSTRUCTION L
C4 SCALE: N.T.S.

AS-BUILT

THIS RECORD DRAWING IS COMPILATION OF A COPY OF THE SEALED ENGINEERING DRAWING FOR THIS PROJECT, MODIFIED BY ADDENDA, CHANGE ORDERS, AND INFORMATION FURNISHED BY THE CONTRACTOR. THE INFORMATION SHOWN ON THE RECORD DRAWINGS IS PROVIDED BASED ON SURVEYING AT THE SITE AND INFORMATION PROVIDED BY THE CONTRACTOR OR OTHERS NOT ASSOCIATED WITH THE DESIGN ENGINEER. THE ORIGINAL SEALED DRAWING ARE ON FILE AT THE OFFICES OF WINKELMANN AND ASSOCIATES, INC.

Maura L. Boilla 10-19-2016
WINKELMANN AND ASSOCIATES, INC. DATE

SPECIFICATION FOR CORRUGATED STEEL PIPE-ALUMINIZED TYPE 2 STEEL

SCOPE

THIS SPECIFICATION COVERS THE MANUFACTURE AND INSTALLATION OF THE CORRUGATED STEEL PIPE (CSP) DETAILED IN THE PROJECT PLANS.

MATERIAL

THE ALUMINIZED TYPE 2 STEEL COILS SHALL CONFORM TO THE APPLICABLE REQUIREMENTS OF AASHTO M274 OR ASTM A929.

PIPE

THE CSP SHALL BE MANUFACTURED IN ACCORDANCE WITH THE APPLICABLE REQUIREMENTS OF AASHTO M36 OR ASTM A760. THE PIPE SIZES, GAGES AND CORRUGATIONS SHALL BE AS SHOWN ON THE PROJECT PLANS.

ALL FABRICATION OF THE PRODUCT SHALL OCCUR WITHIN THE UNITED STATES.

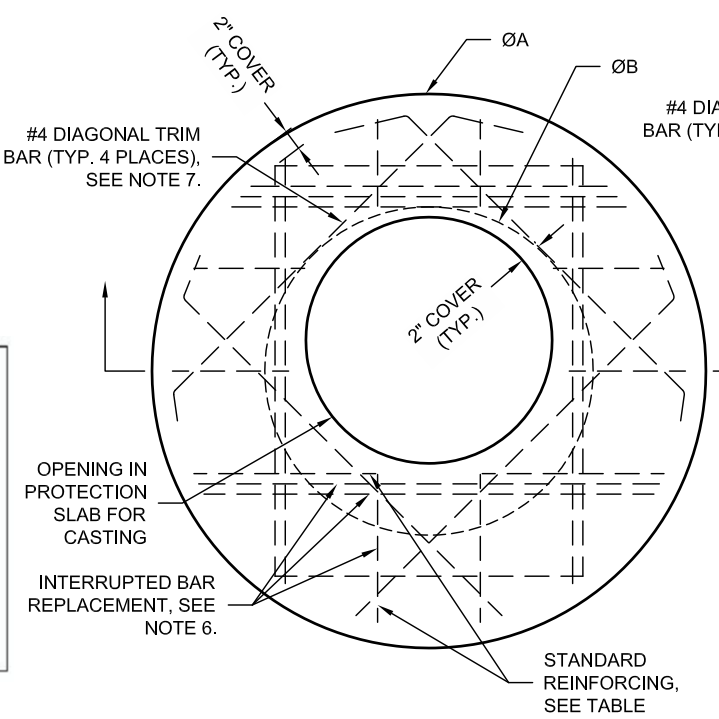
HANDLING AND ASSEMBLY

SHALL BE IN ACCORDANCE WITH RECOMMENDATIONS OF THE NATIONAL CORRUGATED STEEL PIPE ASSOCIATION (NCSIPA)

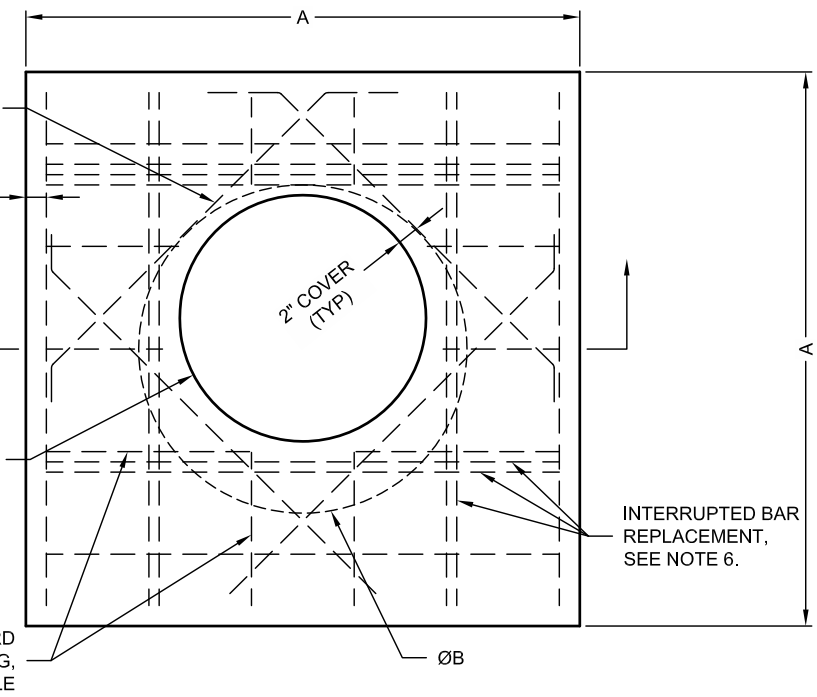
INSTALLATION

SHALL BE IN ACCORDANCE WITH AASHTO STANDARD SPECIFICATIONS FOR HIGHWAY BRIDGES, SECTION 26, DIVISION II OR ASTM A798 AND IN CONFORMANCE WITH THE PROJECT PLANS AND SPECIFICATIONS. IF THERE ARE ANY INCONSISTENCIES OR CONFLICTS THE CONTRACTOR SHOULD DISCUSS AND RESOLVE WITH THE SITE ENGINEER.

IT IS ALWAYS THE RESPONSIBILITY OF THE CONTRACTOR TO FOLLOW OSHA GUIDELINES FOR SAFE PRACTICES.



ROUND OPTION PLAN VIEW



SQUARE OPTION PLAN VIEW

NOTES:

- DESIGN IN ACCORDANCE WITH AASHTO, 17th EDITION AND ACI 350.
- DESIGN LOAD HS25.
- EARTH COVER = 1' MAX.
- CONCRETE STRENGTH = 4,000 psi
- REINFORCING STEEL = ASTM A615, GRADE 60.
- PROVIDE ADDITIONAL REINFORCING AROUND OPENINGS EQUAL TO THE BARS INTERRUPTED, HALF EACH SIDE. ADDITIONAL BARS TO BE IN THE SAME PLANE.
- TRIM OPENING WITH DIAGONAL #4 BARS, EXTEND BARS A MINIMUM OF 12" BEYOND OPENING, BEND BARS AS REQUIRED TO MAINTAIN BAR COVER.
- PROTECTION SLAB AND ALL MATERIALS TO BE PROVIDED AND INSTALLED BY CONTRACTOR.
- DETAIL DESIGN BY DELTA ENGINEERS, ARCHITECTS AND LAND SURVEYORS, ENDWELL, NY.

4 MANHOLE CAP DETAIL
C4 SCALE: N.T.S.

I:\AD\CONTECH\CPL\CONTECH\PROJECTS\CONTRACT\PRE 518660-020\CMP_12212015_1228 PM

The design and information shown on this drawing is provided as a service to the project owner, engineer and contractor by Contech Engineered Solutions LLC ("Contech"). Neither this drawing, nor any part thereof, may be used, reproduced or modified in any manner without the prior written consent of Contech. Failure to comply is done at the user's own risk and Contech expressly disclaims any liability or responsibility for such use.

If discrepancies between the supplied information upon which the drawing is based and actual field conditions are encountered as site work progresses, these discrepancies must be reported to Contech immediately for re-evaluation of the design. Contech accepts no liability for designs based on missing, incomplete or inaccurate information supplied by others.

MARK	DATE	REVISION DESCRIPTION	BY

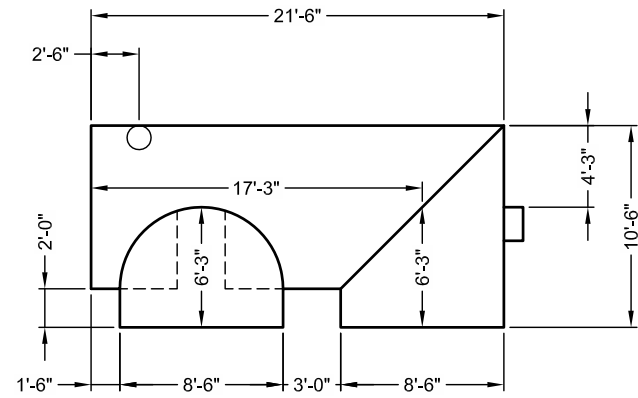
CONTECH
ENGINEERED SOLUTIONS LLC
www.ContechES.com
9025 Centre Pointe Dr., Suite 400, West Chester, OH 45069
800-338-1122 513-645-7000 513-645-7993 FAX

CONTECH
CMP DETENTION SYSTEMS
CONTECH CONTRACT DRAWING

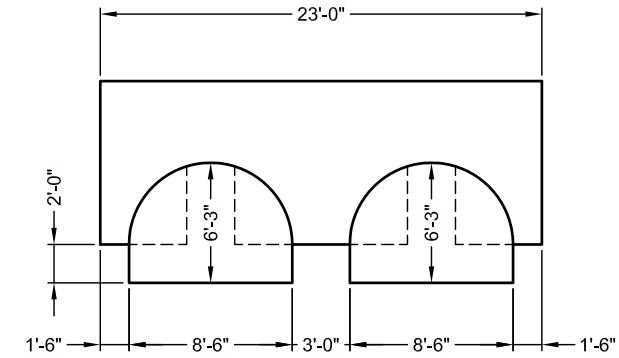
Ø102" UNDERGROUND DETENTION SYSTEM - 518660-020
KROGER - ROCKWALL, TX
ROCKWALL, TX
SITE DESIGNATION: WEST

PROJECT No.: 518660	SEQ. No.: 020	DATE: 12/18/15
DESIGNED: SDS	DRAWN: CLB	
CHECKED:	APPROVED:	
SHEET NO.: C4 OF 13		

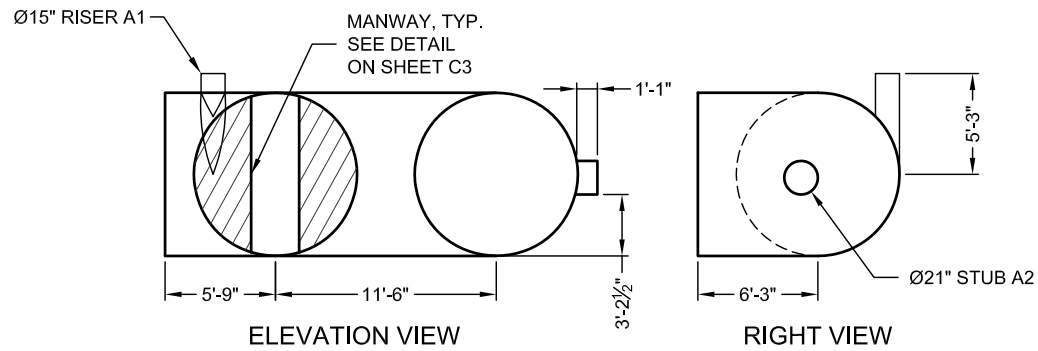
I:\AD\CONTECH\CPL\COM\ROOT\MERLIN\PROJECT\ACTIVE\518660\518660-020\CMP-DET CON FAB A.DWG 12/21/2015 12:28 PM



PLAN VIEW

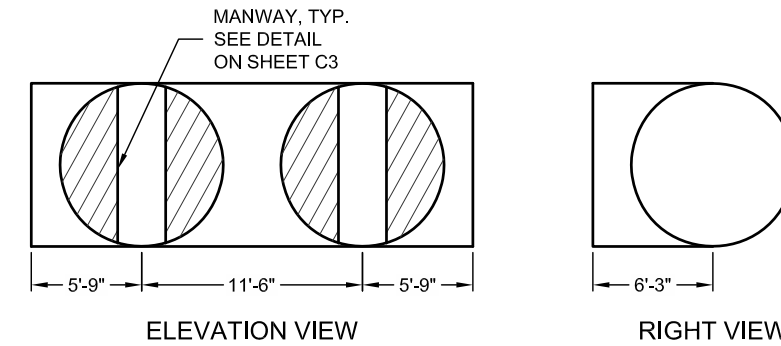


PLAN VIEW



ELEVATION VIEW

RIGHT VIEW



ELEVATION VIEW

RIGHT VIEW

PART A
SCALE: 1"=10'

PART B
SCALE: 1"=10'

AS-BUILT

THIS RECORD DRAWING IS COMPILATION OF A COPY OF THE SEALED ENGINEERING DRAWING FOR THIS PROJECT; MODIFIED BY ADDENDA, CHANGE ORDERS, AND INFORMATION FURNISHED BY THE CONTRACTOR. THE INFORMATION SHOWN ON THE RECORD DRAWINGS IS PROVIDED BASED ON SURVEYING AT THE SITE AND INFORMATION PROVIDED BY THE CONTRACTOR OR OTHERS NOT ASSOCIATED WITH THE DESIGN ENGINEER. THE ORIGINAL SEALED DRAWING ARE ON FILE AT THE OFFICES OF WINKELMANN AND ASSOCIATES, INC.

Maria L. Boilla 10-19-2016
WINKELMANN AND ASSOCIATES, INC. DATE

PROVIDED FOR YOUR INFORMATION ONLY
INTENDED FOR PLANT USE

The design and information shown on this drawing is provided as a service to the project owner, engineer and contractor by Contech Engineered Solutions LLC ("Contech"). Neither this drawing, nor any part thereof, may be used, reproduced or modified in any manner without the prior written consent of Contech. Failure to comply is done at the user's own risk and Contech expressly disclaims any liability or responsibility for such use.

If discrepancies between the supplied information upon which the drawing is based and actual field conditions are encountered as site work progresses, these discrepancies must be reported to Contech immediately for re-evaluation of the design. Contech accepts no liability for designs based on missing, incomplete or inaccurate information supplied by others.

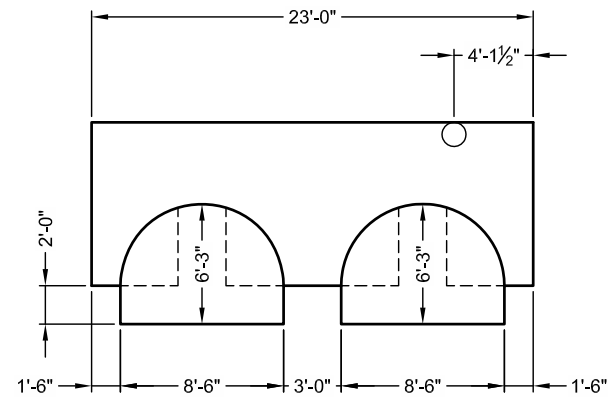
MARK	DATE	REVISION DESCRIPTION	BY

CONTECH
ENGINEERED SOLUTIONS LLC
www.ContechES.com
9025 Centre Pointe Dr., Suite 400, West Chester, OH 45069
800-338-1122 513-645-7000 513-645-7993 FAX

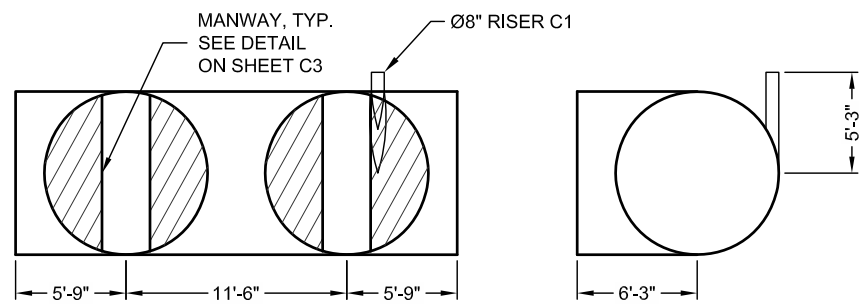
CONTECH
CMP DETENTION SYSTEMS
CONTECH
FABRICATION
DRAWING

Ø102" UNDERGROUND DETENTION SYSTEM - 518660-020
KROGER - ROCKWALL, TX
ROCKWALL, TX
SITE DESIGNATION: WEST

PROJECT No.: 518660	SEQ. No.: 020	DATE: 12/18/15
DESIGNED: SDS	DRAWN: CLB	
CHECKED:	APPROVED:	
SHEET NO.: F1 OF 13		



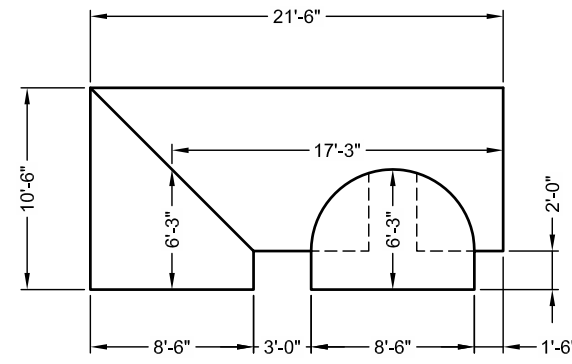
PLAN VIEW



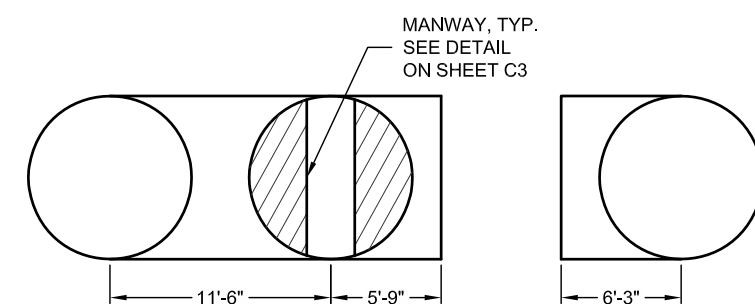
ELEVATION VIEW

RIGHT VIEW

PART C
SCALE: 1"=10'



PLAN VIEW



ELEVATION VIEW

RIGHT VIEW

PART D
SCALE: 1"=10'

AS-BUILT

THIS RECORD DRAWING IS COMPILATION OF A COPY OF THE SEALED ENGINEERING DRAWING FOR THIS PROJECT; MODIFIED BY ADDENDA, CHANGE ORDERS, AND INFORMATION FURNISHED BY THE CONTRACTOR. THE INFORMATION SHOWN ON THE RECORD DRAWINGS IS PROVIDED BASED ON SURVEYING AT THE SITE AND INFORMATION PROVIDED BY THE CONTRACTOR OR OTHERS NOT ASSOCIATED WITH THE DESIGN ENGINEER. THE ORIGINAL SEALED DRAWING ARE ON FILE AT THE OFFICES OF WINKELMANN AND ASSOCIATES, INC.

Maria L. Boilla 10-19-2016
WINKELMANN AND ASSOCIATES, INC. DATE

PROVIDED FOR YOUR INFORMATION ONLY
INTENDED FOR PLANT USE

I:\AD\CONTECH\CPL\CONTECH\PROJECTS\CONTRACT\PRE 518660-020\CMP-DET\CONFAB_A.DWG 12/21/2015 12:28 PM

The design and information shown on this drawing is provided as a service to the project owner, engineer and contractor by Contech Engineered Solutions LLC ("Contech"). Neither this drawing, nor any part thereof, may be used, reproduced or modified in any manner without the prior written consent of Contech. Failure to comply is done at the user's own risk and Contech expressly disclaims any liability or responsibility for such use.

If discrepancies between the supplied information upon which the drawing is based and actual field conditions are encountered as site work progresses, these discrepancies must be reported to Contech immediately for re-evaluation of the design. Contech accepts no liability for designs based on missing, incomplete or inaccurate information supplied by others.

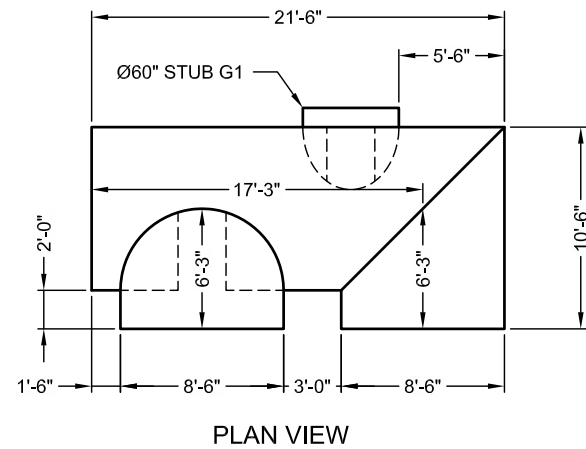
MARK	DATE	REVISION DESCRIPTION	BY

CONTECH
ENGINEERED SOLUTIONS LLC
www.ContechES.com
9025 Centre Pointe Dr., Suite 400, West Chester, OH 45069
800-338-1122 513-645-7000 513-645-7993 FAX

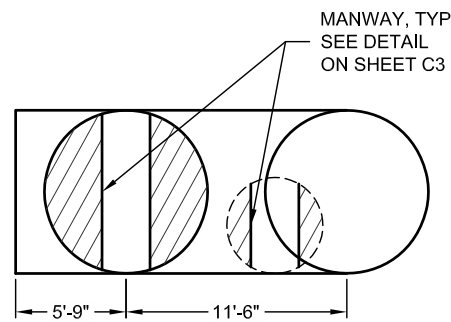
CONTECH
CMP DETENTION SYSTEMS
CONTECH
FABRICATION
DRAWING

Ø102" UNDERGROUND DETENTION SYSTEM - 518660-020
KROGER - ROCKWALL, TX
ROCKWALL, TX
SITE DESIGNATION: WEST

PROJECT No.: 518660	SEQ. No.: 020	DATE: 12/18/15
DESIGNED: SDS	DRAWN: CLB	
CHECKED:	APPROVED:	
SHEET NO.: F2 OF 13		

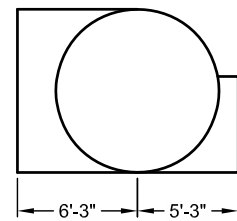


PLAN VIEW



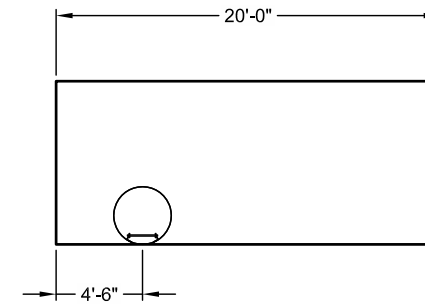
ELEVATION VIEW

MANWAY, TYP.
SEE DETAIL
ON SHEET C3

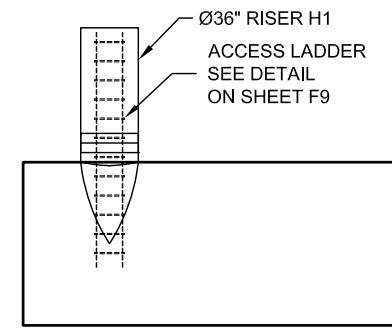


RIGHT VIEW

PART G
SCALE: 1"=10'

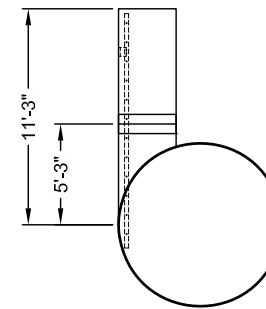


PLAN VIEW



ELEVATION VIEW

Ø36" RISER H1
ACCESS LADDER
SEE DETAIL
ON SHEET F9



RIGHT VIEW

PART H
SCALE: 1"=10'

AS-BUILT

THIS RECORD DRAWING IS COMPILATION OF A COPY OF THE SEALED ENGINEERING DRAWING FOR THIS PROJECT; MODIFIED BY ADDENDA, CHANGE ORDERS, AND INFORMATION FURNISHED BY THE CONTRACTOR. THE INFORMATION SHOWN ON THE RECORD DRAWINGS IS PROVIDED BASED ON SURVEYING AT THE SITE AND INFORMATION PROVIDED BY THE CONTRACTOR OR OTHERS NOT ASSOCIATED WITH THE DESIGN ENGINEER. THE ORIGINAL SEALED DRAWING ARE ON FILE AT THE OFFICES OF WINKELMANN AND ASSOCIATES, INC.

Maria L. Boilla
WINKELMANN AND ASSOCIATES, INC. 10-19-2016
DATE

PROVIDED FOR YOUR INFORMATION ONLY
INTENDED FOR PLANT USE

I:\AD\CONTECH\CPL\COM\ROOT\MERLIN\PROJECT\ACTIVE\518660\518660\20\CMP_12212015\1228 PM_12212015 1228 PM.DWG - 12/21/2015 12:28 PM

The design and information shown on this drawing is provided as a service to the project owner, engineer and contractor by Contech Engineered Solutions LLC ("Contech"). Neither this drawing, nor any part thereof, may be used, reproduced or modified in any manner without the prior written consent of Contech. Failure to comply is done at the user's own risk and Contech expressly disclaims any liability or responsibility for such use.

If discrepancies between the supplied information upon which the drawing is based and actual field conditions are encountered as site work progresses, these discrepancies must be reported to Contech immediately for re-evaluation of the design. Contech accepts no liability for designs based on missing, incomplete or inaccurate information supplied by others.

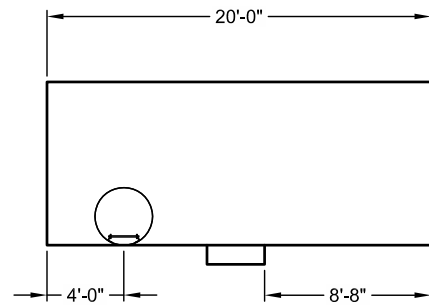
MARK	DATE	REVISION DESCRIPTION	BY

CONTECH
ENGINEERED SOLUTIONS LLC
www.ContechES.com
9025 Centre Pointe Dr., Suite 400, West Chester, OH 45069
800-338-1122 513-645-7000 513-645-7993 FAX

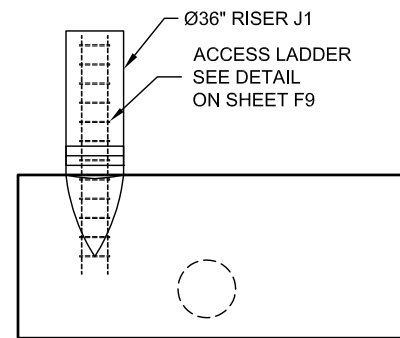
CONTECH
CMP DETENTION SYSTEMS
CONTECH
FABRICATION
DRAWING

Ø102" UNDERGROUND DETENTION SYSTEM - 518660-020
KROGER - ROCKWALL, TX
ROCKWALL, TX
SITE DESIGNATION: WEST

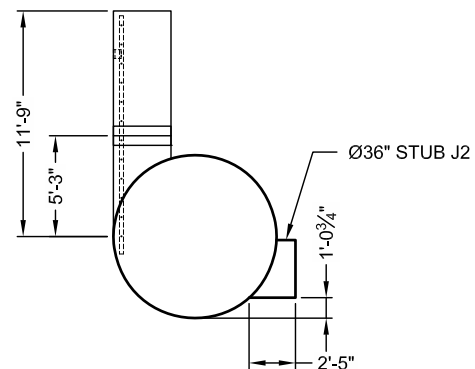
PROJECT No.: 518660	SEQ. No.: 020	DATE: 12/18/15
DESIGNED: SDS	DRAWN: CLB	
CHECKED:	APPROVED:	
SHEET NO.: F4 OF 13		



PLAN VIEW

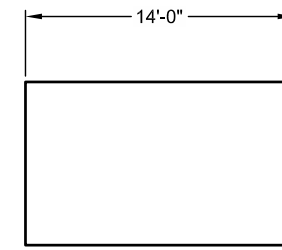


ELEVATION VIEW

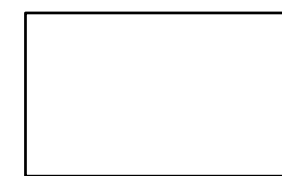


RIGHT VIEW

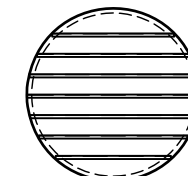
PART J
SCALE: 1"=10'



PLAN VIEW



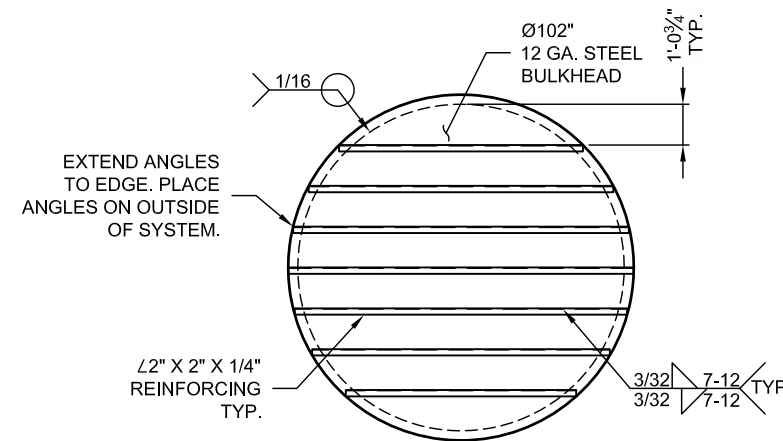
ELEVATION VIEW



RIGHT VIEW

PART K
SCALE: 1"=10'

Ø102" BULKHEAD K1
SEE DETAIL
ON THIS SHEET



BULKHEAD DETAIL - PART K
SCALE: N.T.S.

PROVIDED FOR YOUR INFORMATION ONLY
INTENDED FOR PLANT USE

AS-BUILT

THIS RECORD DRAWING IS COMPILATION OF A COPY OF THE SEALED ENGINEERING DRAWING FOR THIS PROJECT; MODIFIED BY ADDENDA, CHANGE ORDERS, AND INFORMATION FURNISHED BY THE CONTRACTOR. THE INFORMATION SHOWN ON THE RECORD DRAWINGS IS PROVIDED BASED ON SURVEYING AT THE SITE AND INFORMATION PROVIDED BY THE CONTRACTOR OR OTHERS NOT ASSOCIATED WITH THE DESIGN ENGINEER. THE ORIGINAL SEALED DRAWING ARE ON FILE AT THE OFFICES OF WINKELMANN AND ASSOCIATES, INC.

Maurice L. Bailla 10-19-2016
WINKELMANN AND ASSOCIATES, INC. DATE

I:\AD\CONTECH\CPL\COM\ROOT\MERLIN\PROJECT\ACT\VE\518660\518660\20-CMP_DET\CONTRACT\PRE\518660-020-CMP-DET.CONFAB.A.DWG 12/21/2015 12:28 PM

The design and information shown on this drawing is provided as a service to the project owner, engineer and contractor by Contech Engineered Solutions LLC ("Contech"). Neither this drawing, nor any part thereof, may be used, reproduced or modified in any manner without the prior written consent of Contech. Failure to comply is done at the user's own risk and Contech expressly disclaims any liability or responsibility for such use.

If discrepancies between the supplied information upon which the drawing is based and actual field conditions are encountered as site work progresses, these discrepancies must be reported to Contech immediately for re-evaluation of the design. Contech accepts no liability for designs based on missing, incomplete or inaccurate information supplied by others.

MARK	DATE	REVISION DESCRIPTION	BY

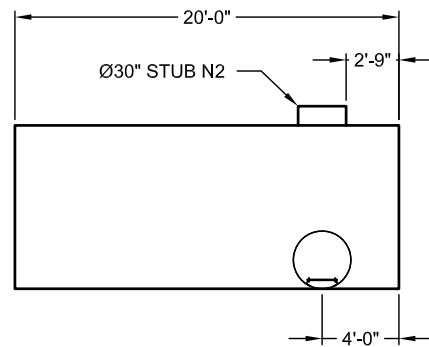
CONTECH
ENGINEERED SOLUTIONS LLC
www.ContechES.com
9025 Centre Pointe Dr., Suite 400, West Chester, OH 45069
800-338-1122 513-645-7000 513-645-7993 FAX

CONTECH
CMP DETENTION SYSTEMS
CONTECH
FABRICATION
DRAWING

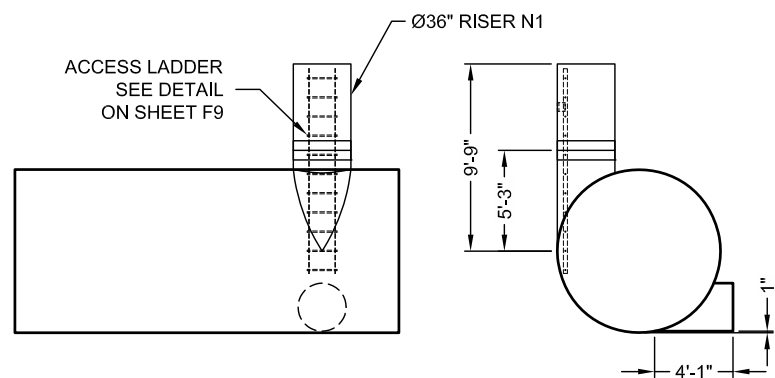
Ø102" UNDERGROUND DETENTION SYSTEM - 518660-020
KROGER - ROCKWALL, TX
ROCKWALL, TX
SITE DESIGNATION: WEST

PROJECT No.: 518660	SEQ. No.: 020	DATE: 12/18/15
DESIGNED: SDS	DRAWN: CLB	
CHECKED:	APPROVED:	
SHEET NO.: F5 OF 13		

I:\AD\CONTECH\PROJECTS\CONTRACTS\CONTRACTS\PRE 518660-020\CMP-DET CON FAB A.DWG 12/21/2015 12:29 PM



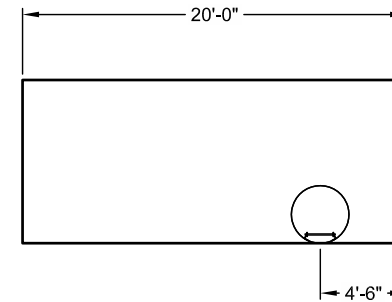
PLAN VIEW



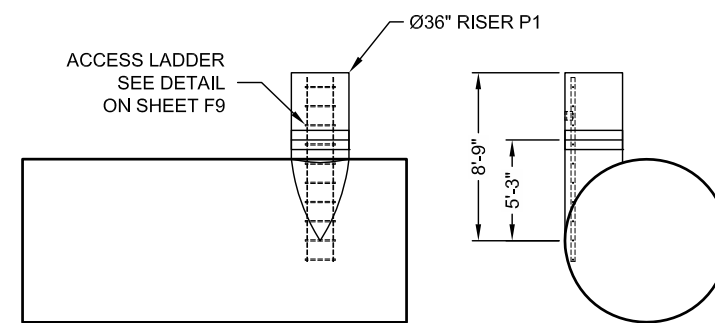
ELEVATION VIEW

RIGHT VIEW

PART N
SCALE: 1"=10'



PLAN VIEW



ELEVATION VIEW

RIGHT VIEW

PART P
SCALE: 1"=10'

AS-BUILT

THIS RECORD DRAWING IS COMPILATION OF A COPY OF THE SEALED ENGINEERING DRAWING FOR THIS PROJECT; MODIFIED BY ADDENDA, CHANGE ORDERS, AND INFORMATION FURNISHED BY THE CONTRACTOR. THE INFORMATION SHOWN ON THE RECORD DRAWINGS IS PROVIDED BASED ON SURVEYING AT THE SITE AND INFORMATION PROVIDED BY THE CONTRACTOR OR OTHERS NOT ASSOCIATED WITH THE DESIGN ENGINEER. THE ORIGINAL SEALED DRAWINGS ARE ON FILE AT THE OFFICES OF WINKELMANN AND ASSOCIATES, INC.

Maurice L. Bouilla
WINKELMANN AND ASSOCIATES, INC.

10-19-2016
DATE

PROVIDED FOR YOUR INFORMATION ONLY
INTENDED FOR PLANT USE

The design and information shown on this drawing is provided as a service to the project owner, engineer and contractor by Contech Engineered Solutions LLC ("Contech"). Neither this drawing, nor any part thereof, may be used, reproduced or modified in any manner without the prior written consent of Contech. Failure to comply is done at the user's own risk and Contech expressly disclaims any liability or responsibility for such use.

MARK	DATE	REVISION DESCRIPTION	BY

CONTECH
ENGINEERED SOLUTIONS LLC
www.ContechES.com
9025 Centre Pointe Dr., Suite 400, West Chester, OH 45069
800-338-1122 513-645-7000 513-645-7993 FAX

CONTECH
CMP DETENTION SYSTEMS
CONTECH
FABRICATION
DRAWING

Ø102" UNDERGROUND DETENTION SYSTEM - 518660-020
KROGER - ROCKWALL, TX
ROCKWALL, TX
SITE DESIGNATION: WEST

PROJECT No.: 518660	SEQ. No.: 020	DATE: 12/18/15
DESIGNED: SDS	DRAWN: CLB	
CHECKED:	APPROVED:	
SHEET NO.: F7 OF 13		

