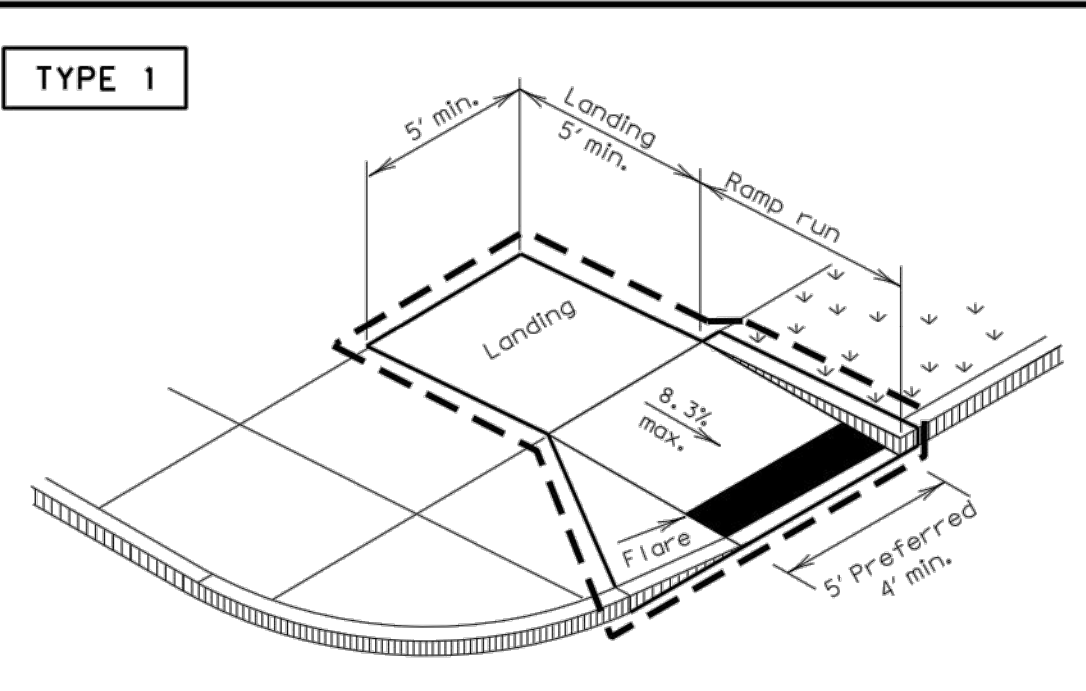
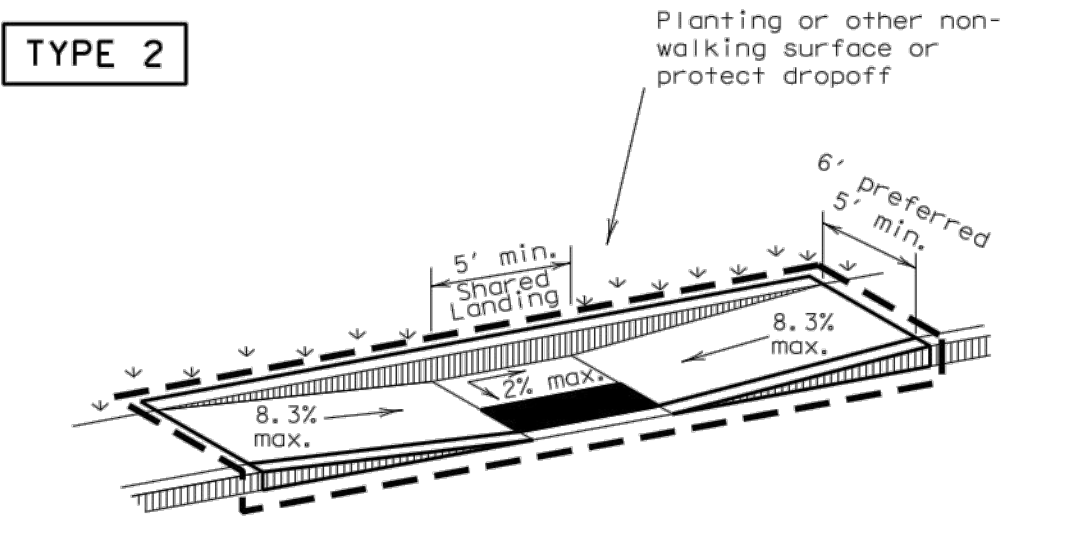


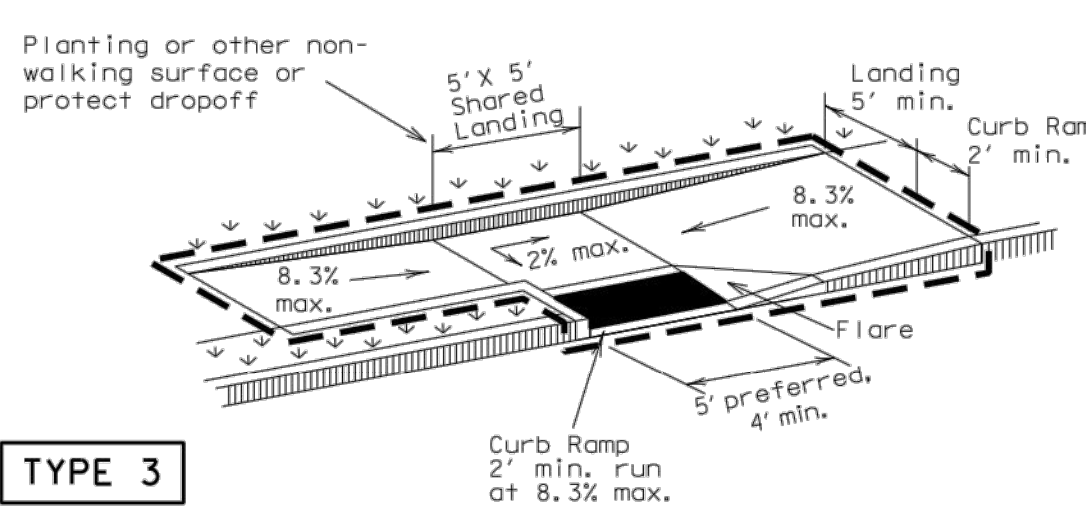
DISCLAIMER: The use of this standard is governed by the Texas Engineering Practice Act. No warranty of any kind is made by the State of Texas, its agencies, or its employees for any damages resulting from its use.



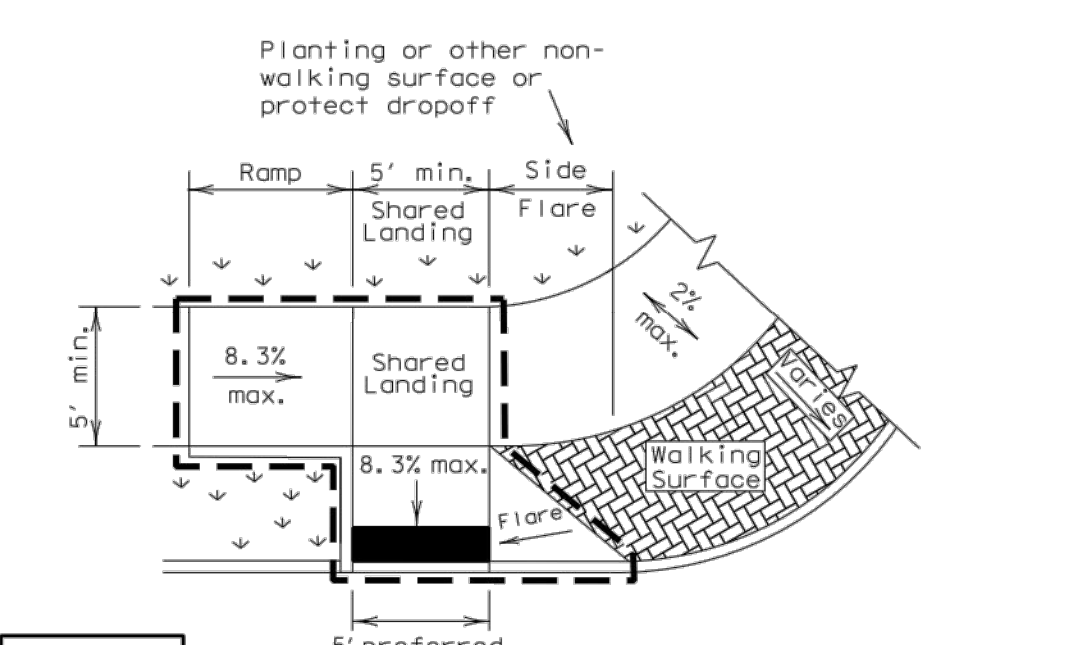
PERPENDICULAR CURB RAMP



PARALLEL CURB RAMP  
(Use only where water will not pond in the landing.)

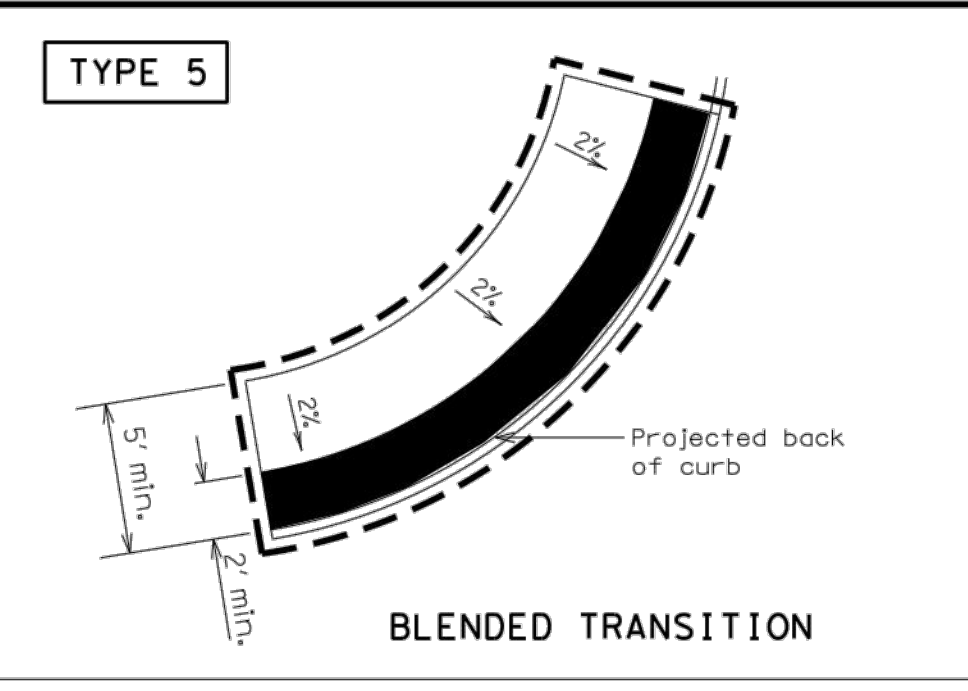


TYPE 3

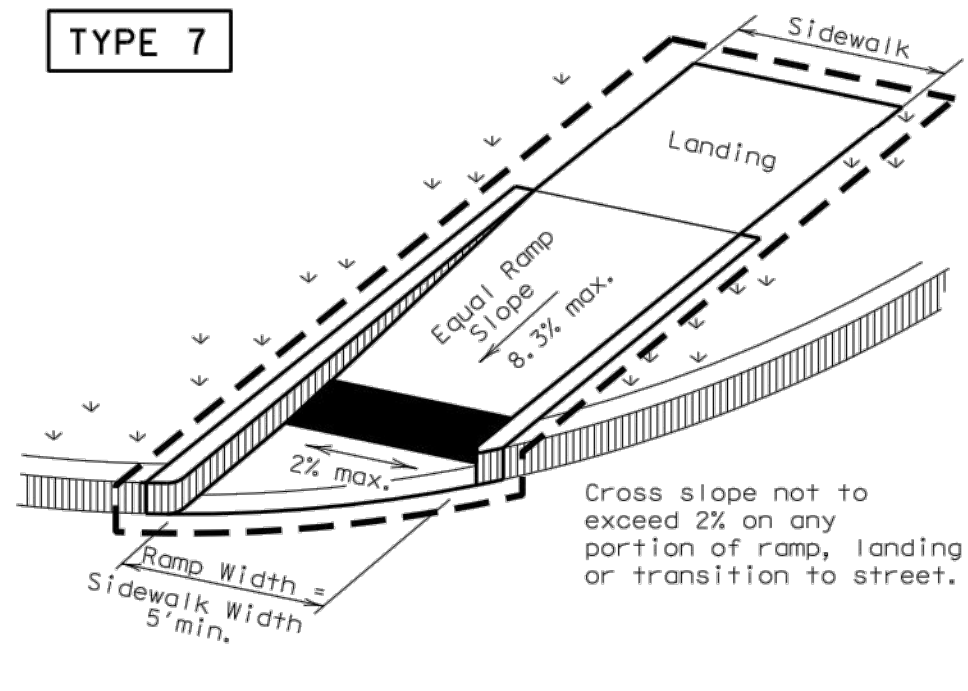


TYPE 6

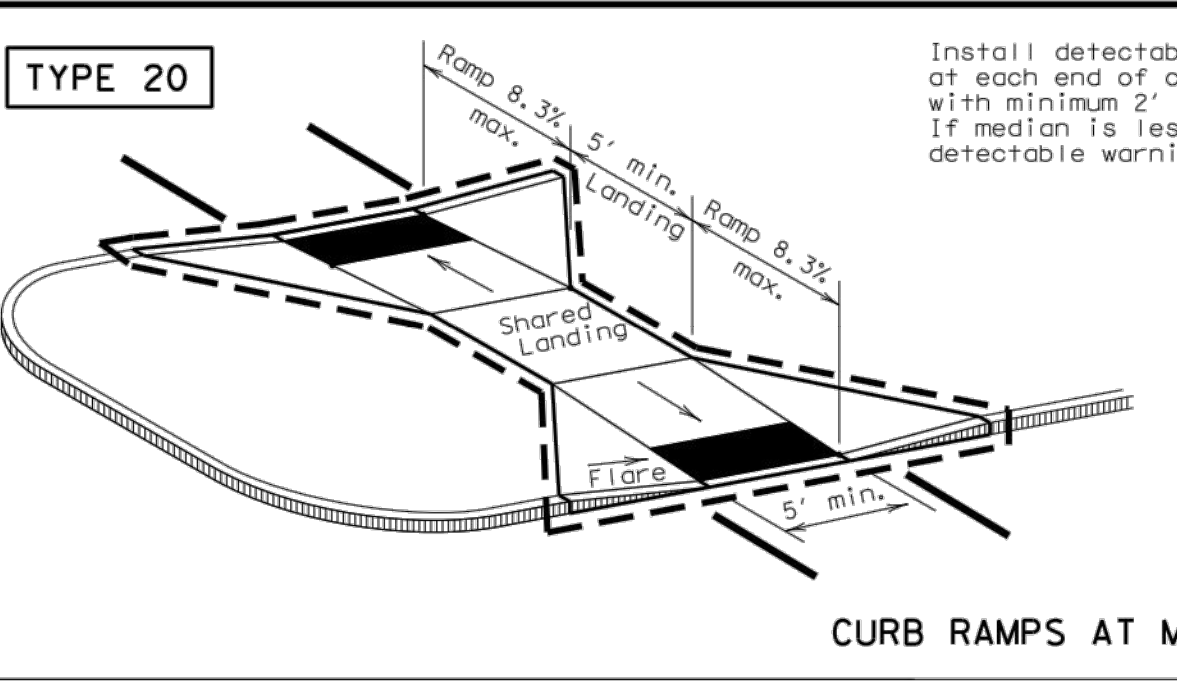
COMBINATION CURB RAMPS



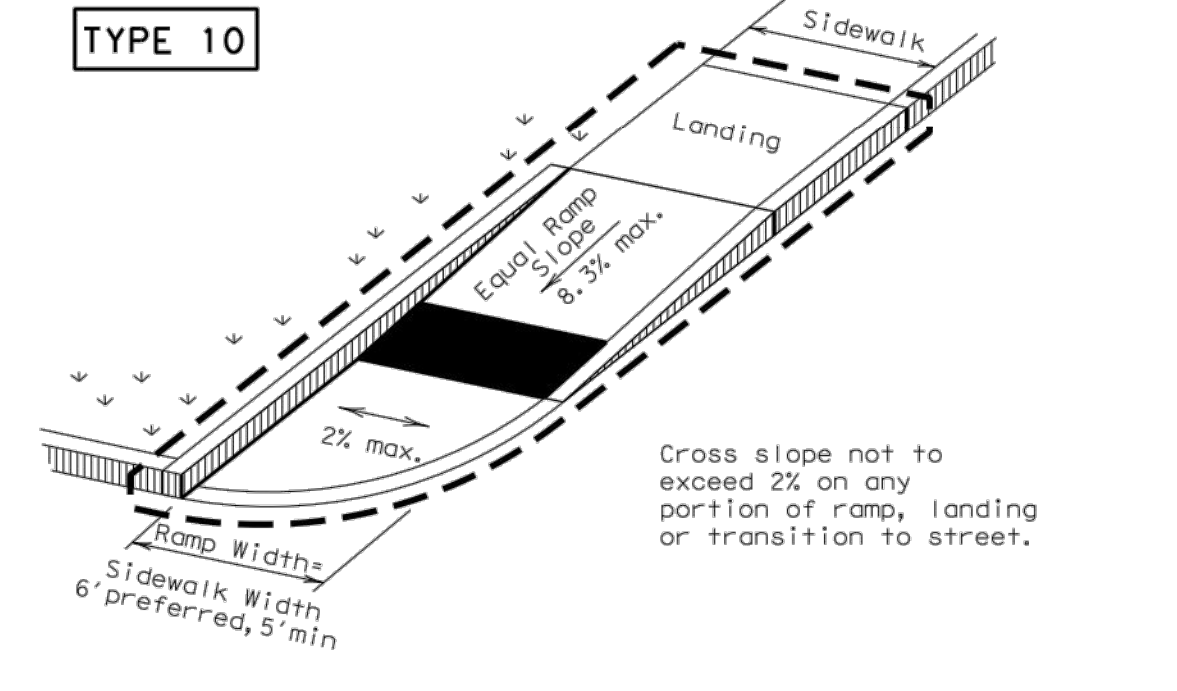
BLENDED TRANSITION



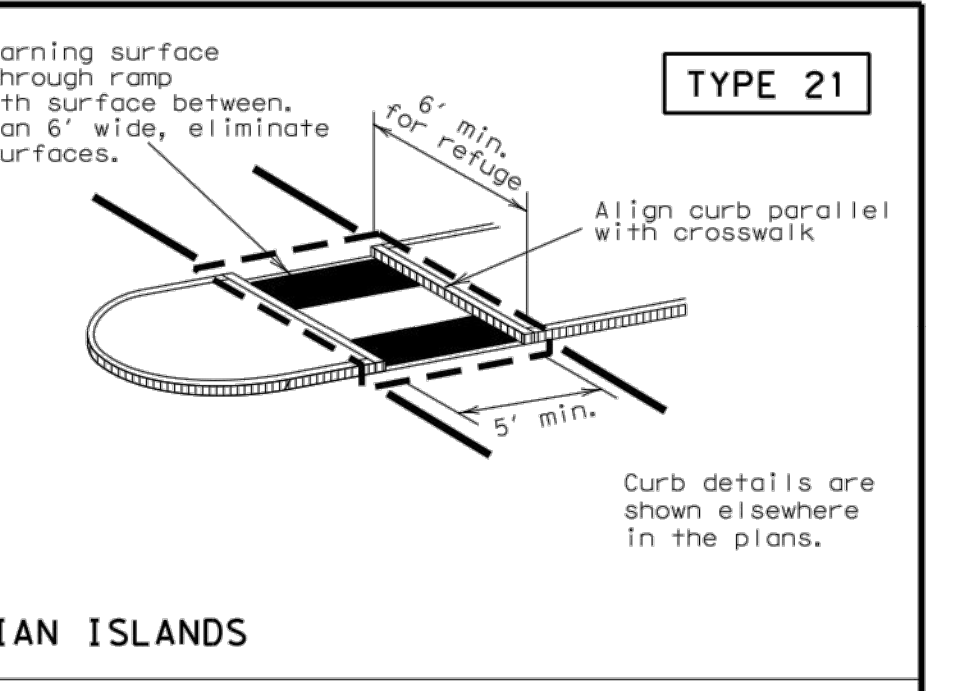
(Sidewalk set back from curb)



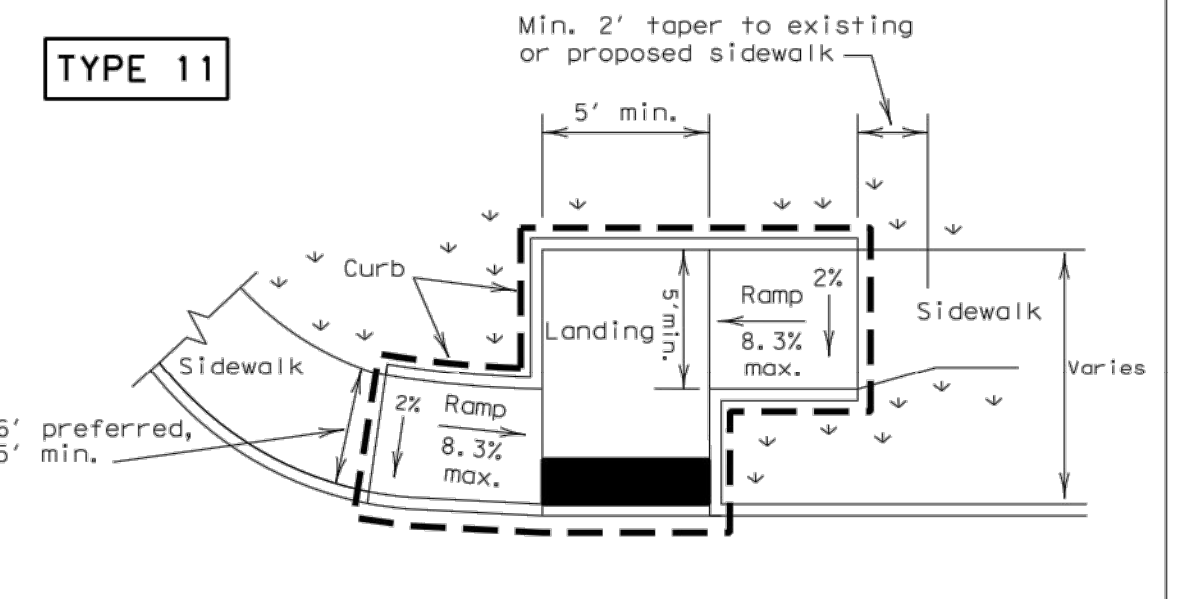
CURB RAMPS AT MEDIAN ISLANDS



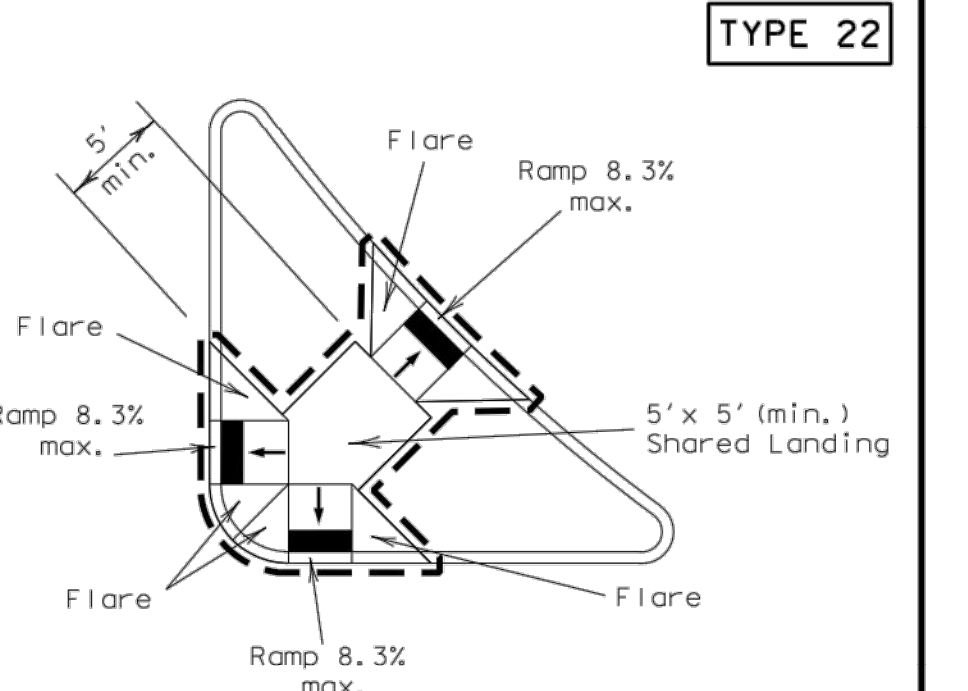
(Sidewalk adjacent to curb)



COMBINATION ISLAND RAMPS



OFFSET PARALLEL CURB RAMP



COMBINATION ISLAND RAMPS

NOTES / LEGEND:  
See General Notes on sheet 2 of 4 for more information.  
v v v Denotes planting or non-walking surface not part of pedestrian circulation path.  
--- Ramp Limits of Payment  
■ Detectable Warning Surface

SHEET 1 OF 4

**Texas Department of Transportation**  
Design Division Standard

**PEDESTRIAN FACILITIES  
CURB RAMPS**

**PED-12A**

FILE: ped12a.dgn	DATE: TxDOT	CHK: RM	DATE: TxDOT	CHK: VP
© TxDOT March 2002	CONT: SECT	JOB: HIGHWAY		
REVISIONS	DIST:	COUNTY:	SHEET NO.:	
VP June 13, 2012				

ALL RESPONSIBILITY FOR ADEQUACY OF DESIGN REMAINS WITH THE DESIGN ENGINEER. THE CITY OF ROCKWALL, IN REVIEWING AND RELEASING PLANS FOR CONSTRUCTION, ASSUMES NO RESPONSIBILITY FOR ADEQUACY OR ACCURACY OF DESIGN.

AS-BUILT

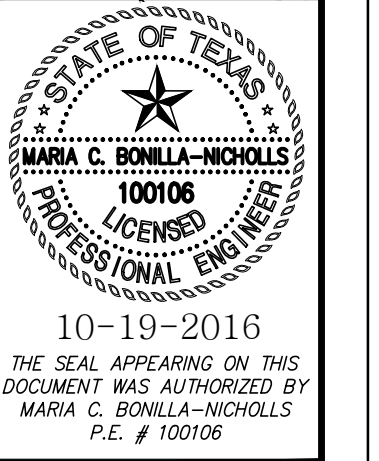
THIS RECORD DRAWING IS COMPILATION OF A COPY OF THE SEALED ENGINEERING DRAWING FOR THIS PROJECT; MODIFIED BY ADDENDA, CHANGE ORDERS, AND INFORMATION FURNISHED BY THE CONTRACTOR. THE INFORMATION SHOWN ON THE RECORD DRAWINGS IS PROVIDED BASED ON SURVEYING AT THE SITE AND INFORMATION PROVIDED BY THE CONTRACTOR OR OTHERS NOT ASSOCIATED WITH THE DESIGN ENGINEER. THE ORIGINAL SEALED DRAWING ARE ON FILE AT THE OFFICES OF WINKELMANN AND ASSOCIATES, INC.

*Maria L. Bouilla*  
WINKELMANN AND ASSOCIATES, INC.

10-19-2016  
DATE

No.	DATE	REVISION
6.		
5.		
4.		
3.	12/18/2015	ISSUE FOR CONSTRUCTION
2.	12/09/2015	BULLETIN #1
1.		

**Winkelmann & Associates, Inc.**  
CONSULTING CIVIL ENGINEERS  
7720 HILGRET PLAZA DRIVE, SUITE 325  
ROCKWALL, TEXAS 75087  
(972) 940-7090  
(972) 940-7096 FAX  
Texas Engineer Registration No. 89  
Texas Surveyor Registration No. 100866-00  
Professional Seal of State, Williamson & Associates, Inc.



CITY DETAILS  
SEC. N. GOLIAD ST. AND E. GUAL  
RUN RD.  
ROCKWALL, TEXAS

C-15.12  
DAL574