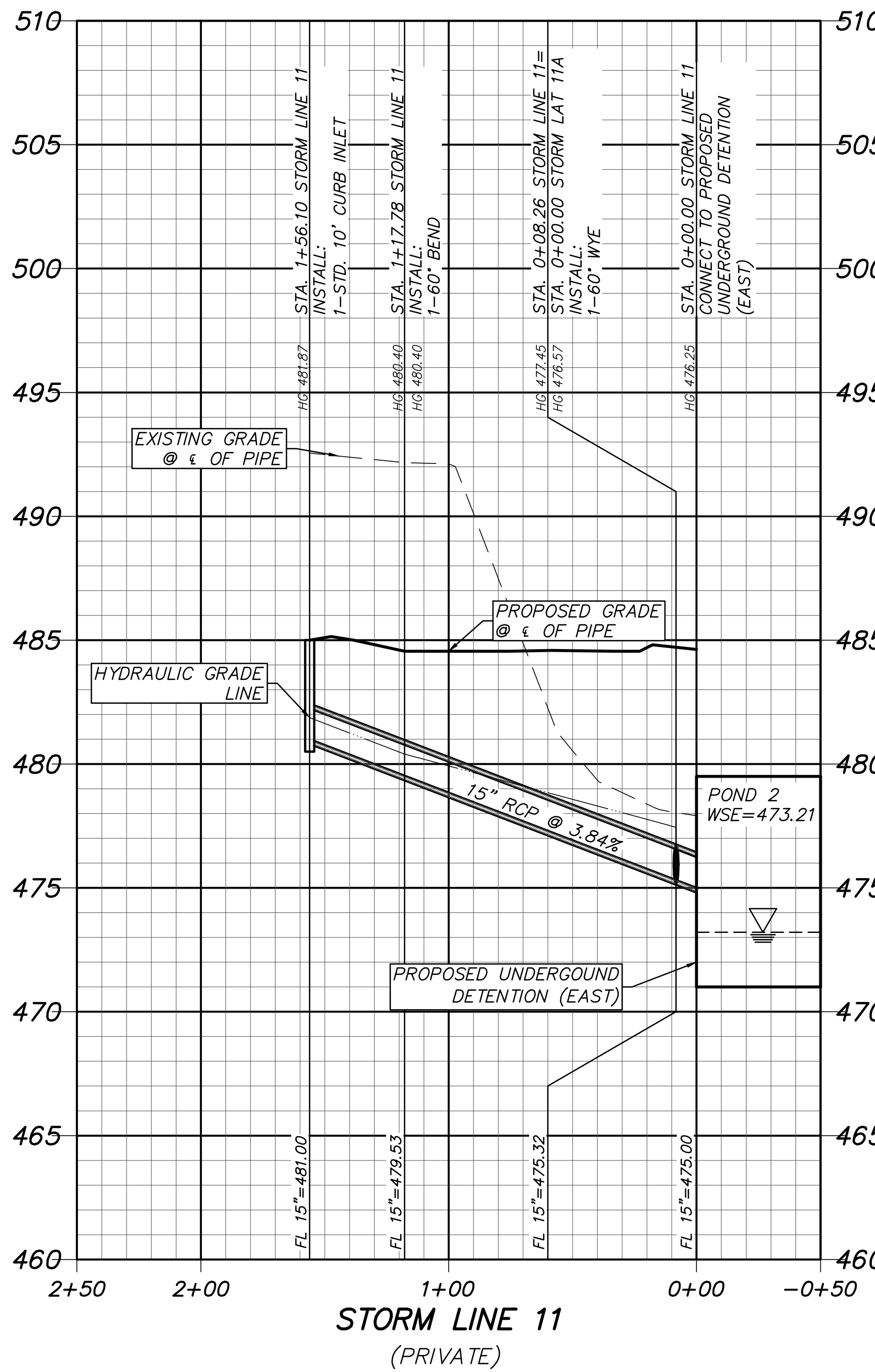
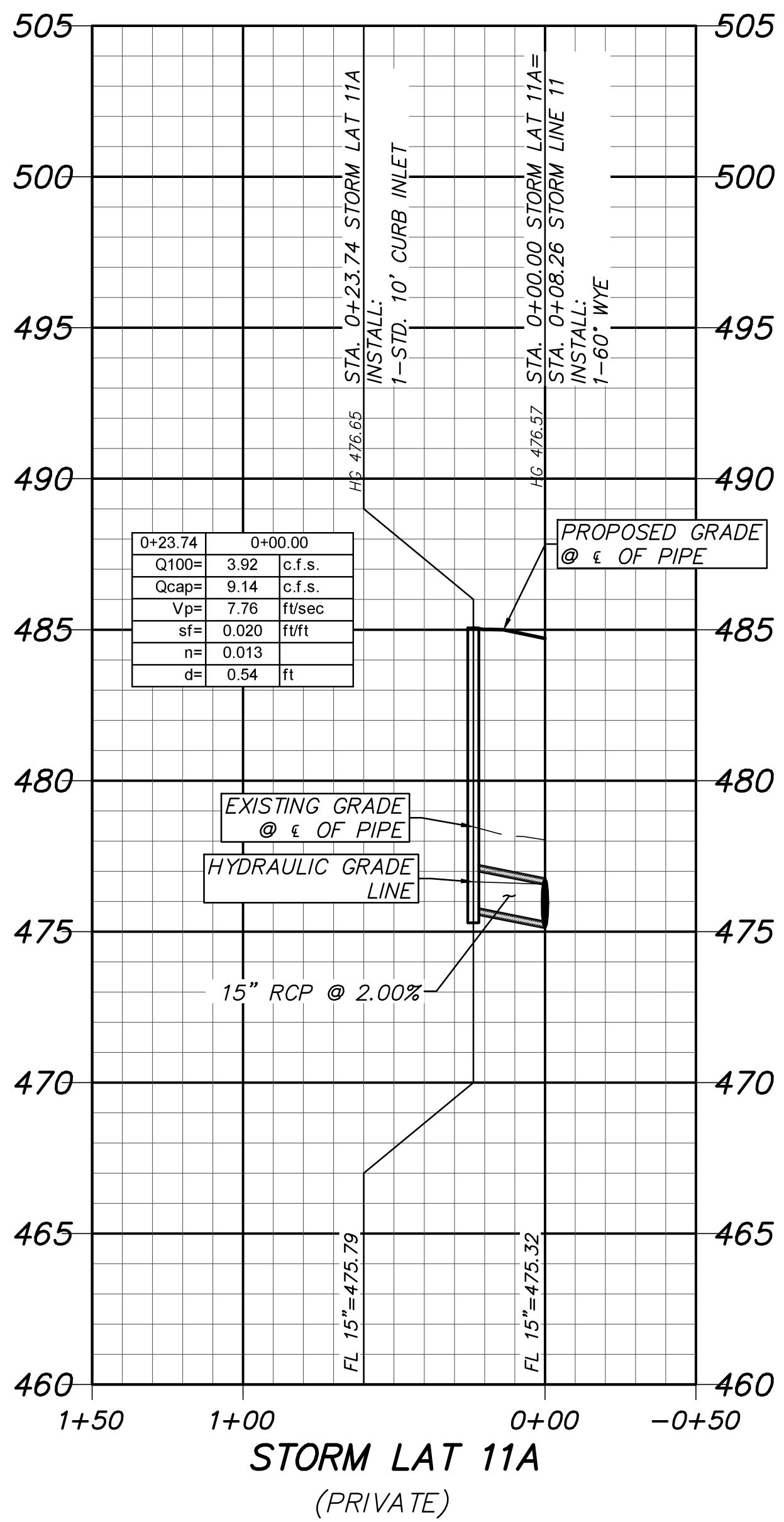


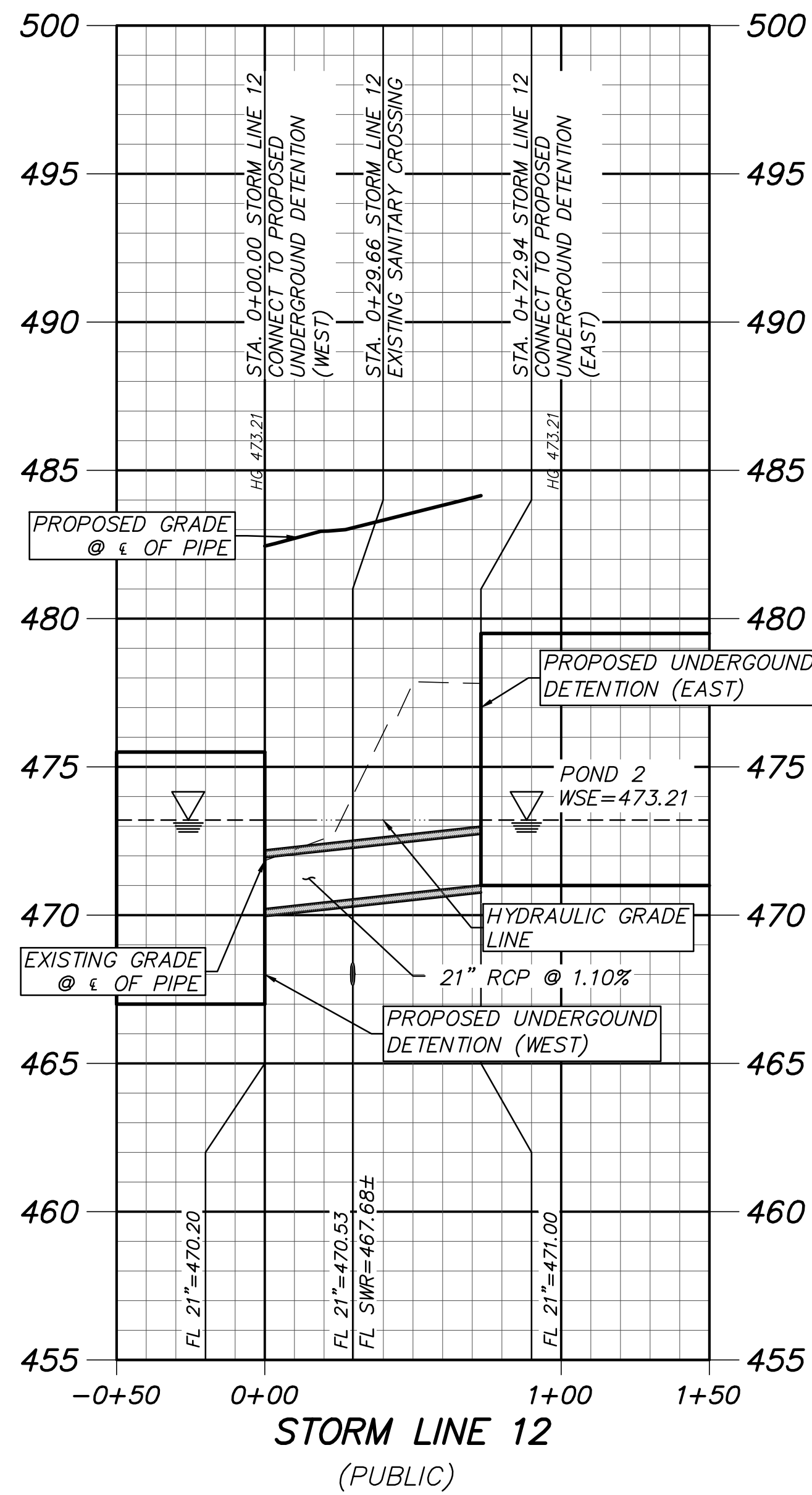
0+00.00	0+46.03
Q100=	1.49 c.f.s.
Qcap=	2.22 c.f.s.
Vp=	6.00 ft/sec
sf=	0.020 ft/ft
n=	0.010
d=	0.45 ft



1+56.10	1+17.78	1+17.78	0+08.26	0+08.26	0+00.00
Q100=	8.84 c.f.s.	Q100=	8.83 c.f.s.	Q100=	12.70 c.f.s.
Qcap=	12.66 c.f.s.	Qcap=	12.66 c.f.s.	Qcap=	12.66 c.f.s.
Vp=	9.63 ft/sec	Vp=	9.62 ft/sec	V=	10.35 ft/sec
sf=	0.038 ft/ft	sf=	0.038 ft/ft	sf=	0.039 ft/ft
n=	0.013	n=	0.013	n=	0.013
d=	0.87 ft	d=	0.87 ft		



0+23.74	0+00.00
Q100=	3.92 c.f.s.
Qcap=	9.14 c.f.s.
Vp=	7.76 ft/sec
sf=	0.020 ft/ft
n=	0.013
d=	0.54 ft



0+00.00	0+72.94
Q100=	16.18 c.f.s.
Qcap=	16.62 c.f.s.
V=	6.73 ft/sec
sf=	0.010 ft/ft
n=	0.013

ALL RESPONSIBILITY FOR ADEQUACY OF DESIGN REMAINS WITH THE DESIGN ENGINEER. THE CITY OF ROCKWALL, IN REVIEWING AND RELEASING PLANS FOR CONSTRUCTION, ASSUMES NO RESPONSIBILITY FOR ADEQUACY OR ACCURACY OF DESIGN.

NOTES:
1. REFER TO GRADING PLAN FOR ALL RIM ELEVATIONS

AS-BUILT

THIS RECORD DRAWING IS COMPILATION OF A COPY OF THE SEALED ENGINEERING DRAWING FOR THIS PROJECT; MODIFIED BY ADDENDA, CHANGE ORDERS, AND INFORMATION FURNISHED BY THE CONTRACTOR. THE INFORMATION SHOWN ON THE RECORD DRAWINGS IS PROVIDED BASED ON SURVEYING AT THE SITE AND INFORMATION PROVIDED BY THE CONTRACTOR OR OTHERS NOT ASSOCIATED WITH THE DESIGN ENGINEER. THE ORIGINAL SEALED DRAWING ARE ON FILE AT THE OFFICES OF WINKELMANN AND ASSOCIATES, INC.

Maria L. Boilla
WINKELMANN AND ASSOCIATES, INC. 10-19-2016
DATE

6.					
5.					
4.	03/24/2016	RESPONSE TO REF 025	M.B.		
3.	01/07/2016	BULLETIN #2	M.B.		
2.	12/18/2015	ISSUE FOR CONSTRUCTION	M.B.		
1.	12/09/2015	BULLETIN #1	M.B.		
No.	DATE	REVISION			APPROV

Winkelmann & Associates, Inc.
CONSULTING CIVIL ENGINEERS • SURVEYORS
10016 LICENSED PROFESSIONAL ENGINEER
10-19-2016
THE SEAL APPEARING ON THIS DOCUMENT WAS AUTHORIZED BY MARIA C. BOILLA-MORRIS, P.E. # 100106

STORM PROFILE
SEC. N. GOLIAD ST. AND E. GUALI RUN RD., ROCKWALL, TEXAS

C-11.14
DAL574