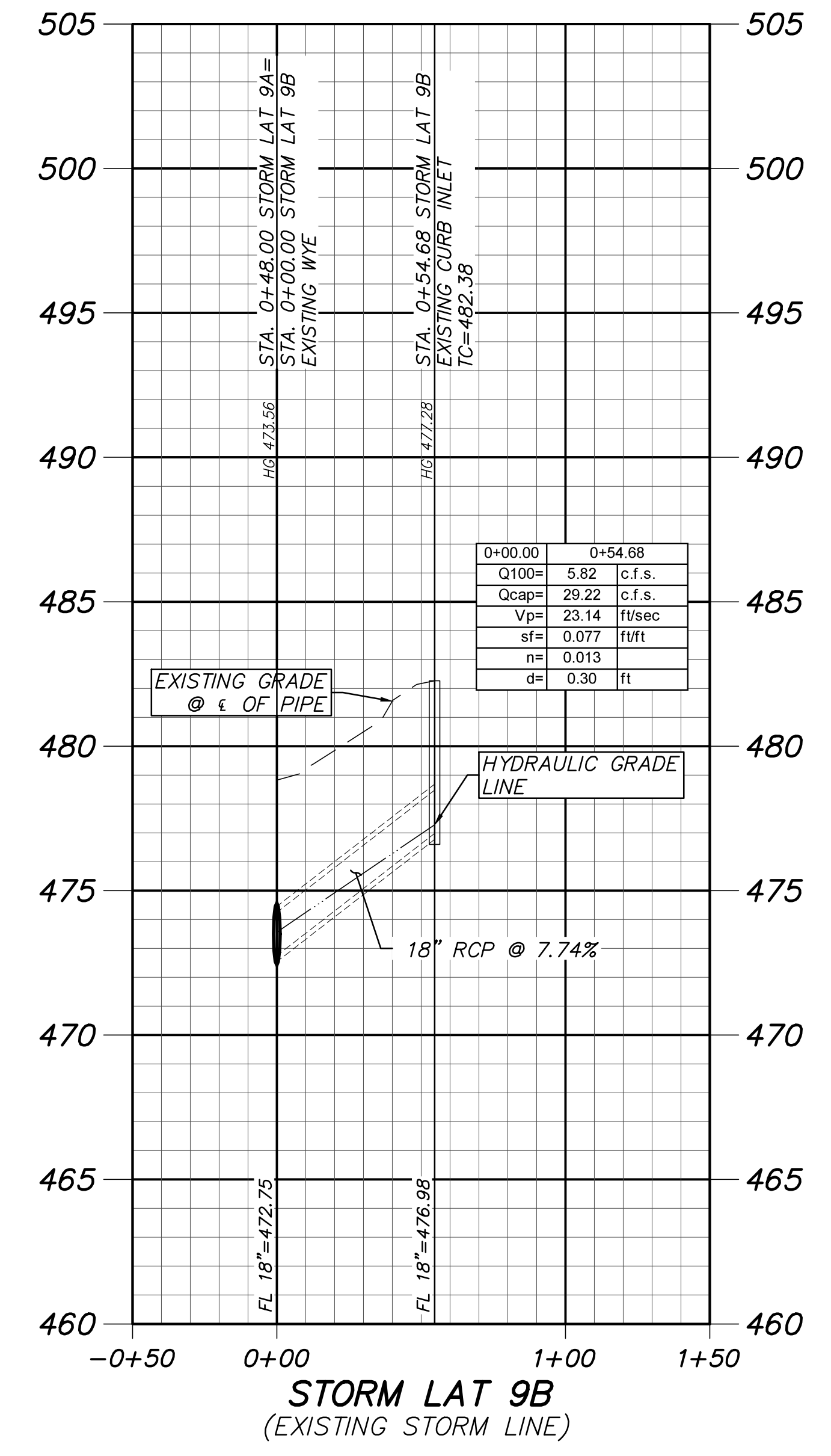


0+00.00	0+25.00	0+25.00	0+48.00	0+48.00	0+50.00	0+50.00	1+51.36
Q100= 12.46	c.f.s.	Q100= 12.46	c.f.s.	Q100= 6.65	c.f.s.	Q100= 6.66	c.f.s.
Qcap= 30.64	c.f.s.	Qcap= 23.45	c.f.s.	Qcap= 23.45	c.f.s.	Qcap= 35.17	c.f.s.
Vp= 13.41	ft/sec	Vp= 9.63	ft/sec	Vp= 12.06	ft/sec	Vp= 20.93	ft/sec
sf= 0.037	ft/ft	sf= 0.022	ft/ft	sf= 0.022	ft/ft	sf= 0.049	ft/ft
n= 0.013		n= 0.013		n= 0.013		n= 0.013	
d= 0.71	ft	d= 0.93	ft	d= 0.50	ft	d= 0.33	ft



0+00.00	0+54.68
Q100= 5.82	c.f.s.
Qcap= 29.22	c.f.s.
Vp= 23.14	ft/sec
sf= 0.077	ft/ft
n= 0.013	
d= 0.30	ft

ALL RESPONSIBILITY FOR ADEQUACY OF DESIGN REMAINS WITH THE DESIGN ENGINEER. THE CITY OF ROCKWALL, IN REVIEWING AND RELEASING PLANS FOR CONSTRUCTION, ASSUMES NO RESPONSIBILITY FOR ADEQUACY OR ACCURACY OF DESIGN.

NOTES:
1. REFER TO GRADING PLAN FOR ALL RIM ELEVATIONS

AS-BUILT
THIS RECORD DRAWING IS COMPILATION OF A COPY OF THE SEALED ENGINEERING DRAWING FOR THIS PROJECT; MODIFIED BY ADDENDA, CHANGE ORDERS, AND INFORMATION FURNISHED BY THE CONTRACTOR. THE INFORMATION SHOWN ON THE RECORD DRAWINGS IS PROVIDED BASED ON SURVEYING AT THE SITE AND INFORMATION PROVIDED BY THE CONTRACTOR OR OTHERS NOT ASSOCIATED WITH THE DESIGN ENGINEER. THE ORIGINAL SEALED DRAWING ARE ON FILE AT THE OFFICES OF WINKELMANN AND ASSOCIATES, INC.

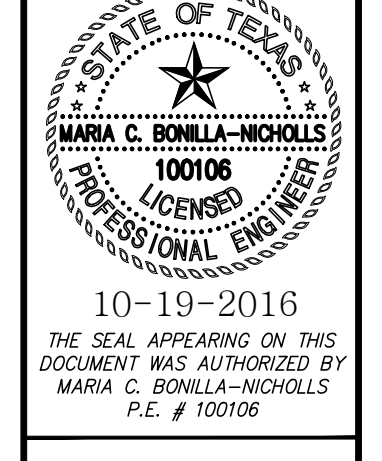
Maria C. Boilla
WINKELMANN AND ASSOCIATES, INC.

10-19-2016
DATE

STORM PROFILE
SEC N. GOLIAD ST. AND E. QUAIL
RUN RD.
ROCKWALL, TEXAS

No.	DATE	REVISION
1.	12/09/2015	BULLETIN #1
2.	12/18/2015	ISSUE FOR CONSTRUCTION
3.		
4.		
5.		
6.		

Winkelmann & Associates, Inc.
CONSULTING CIVIL ENGINEERS SURVEYORS
1720 HILGRET PLAZA DRIVE, SUITE 325
ROCKWALL, TEXAS 75087
Phone: (972) 940-7090
Fax: (972) 940-7099
www.winkelmann.com
Professional Engineer Registration No. 89
Professional Surveyor Registration No. 100866-00
Professional Engineer Registration No. 100866-00
Professional Surveyor Registration No. 100866-00



C-11.13
DAL574