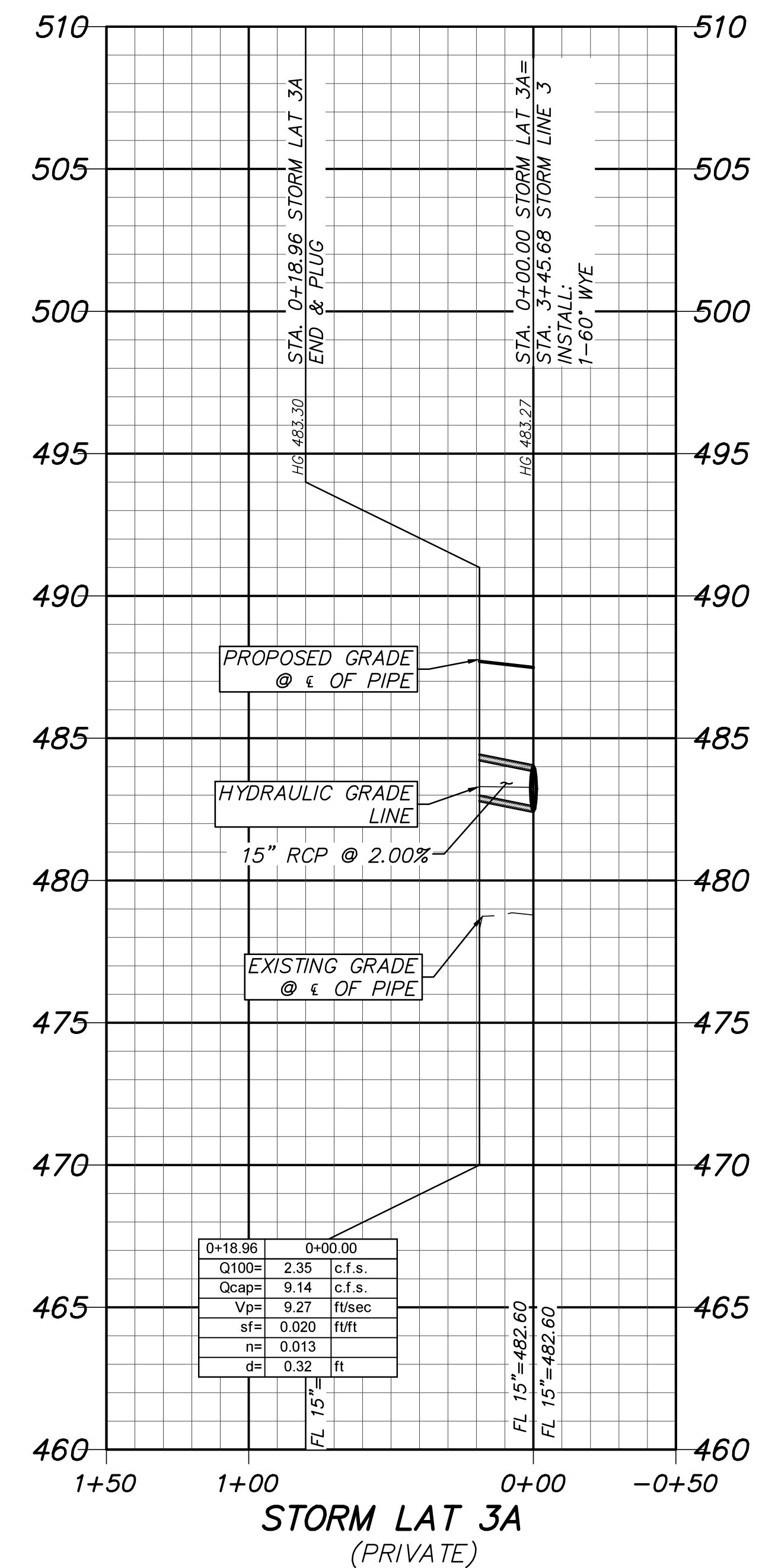


4+62.95	4+46.69	4+46.69	3+45.68	3+45.68	3+01.94	3+01.94	1+32.85	1+32.85	0+82.77	0+24.36	0+24.36	0+16.03	0+16.03	0+00.00	
Q100=	2.35 c.f.s.	Q100=	2.35 c.f.s.	Q100=	4.67 c.f.s.	Q100=	4.63 c.f.s.	Q100=	4.63 c.f.s.	Q100=	4.63 c.f.s.	Q100=	5.59 c.f.s.	Q100=	5.59 c.f.s.
Qcap=	4.57 c.f.s.	Qcap=	4.57 c.f.s.	Qcap=	4.57 c.f.s.	Qcap=	12.92 c.f.s.	Qcap=	12.92 c.f.s.	Qcap=	10.11 c.f.s.	Qcap=	5.59 c.f.s.	Qcap=	5.59 c.f.s.
Vp=	3.74 ft/sec	Vp=	3.73 ft/sec	Vp=	3.80 ft/sec	Vp=	11.69 ft/sec	Vp=	11.65 ft/sec	Vp=	8.40 ft/sec	Vp=	4.24 ft/sec	Vp=	4.55 ft/sec
sf=	0.005 ft/ft	sf=	0.005 ft/ft	sf=	0.005 ft/ft	sf=	0.040 ft/ft	sf=	0.040 ft/ft	sf=	0.025 ft/ft	sf=	0.008 ft/ft	sf=	0.008 ft/ft
ns=	0.013	ns=	0.013	ns=	0.013	ns=	0.013	ns=	0.013	ns=	0.013	ns=	0.013	ns=	0.013
d=	0.64 ft	d=	0.64 ft	d=	0.64 ft	d=	0.45 ft	d=	0.45 ft	d=	0.57 ft	d=	1.03 ft	d=	1.25 ft



0+18.96	0+00.00
Q100=	2.35 c.f.s.
Qcap=	9.14 c.f.s.
Vp=	9.27 ft/sec
sf=	0.020 ft/ft
ns=	0.013
d=	0.32 ft

ALL RESPONSIBILITY FOR ADEQUACY OF DESIGN REMAINS WITH THE DESIGN ENGINEER. THE CITY OF ROCKWALL, IN REVIEWING AND RELEASING PLANS FOR CONSTRUCTION, ASSUMES NO RESPONSIBILITY FOR ADEQUACY OR ACCURACY OF DESIGN.

NOTES:
1. REFER TO GRADING PLAN FOR ALL RIM ELEVATIONS

AS-BUILT

THIS RECORD DRAWING IS COMPILATION OF A COPY OF THE SEALED ENGINEERING DRAWING FOR THIS PROJECT; MODIFIED BY ADDENDA, CHANGE ORDERS, AND INFORMATION FURNISHED BY THE CONTRACTOR. THE INFORMATION SHOWN ON THE RECORD DRAWINGS IS PROVIDED BASED ON SURVEYING AT THE SITE AND INFORMATION PROVIDED BY THE CONTRACTOR OR OTHERS NOT ASSOCIATED WITH THE DESIGN ENGINEER. THE ORIGINAL SEALED DRAWING ARE ON FILE AT THE OFFICES OF WINKELMANN AND ASSOCIATES, INC.

Maria C. Bonilla
WINKELMANN AND ASSOCIATES, INC.

10-19-2016
DATE

STORM PROFILE
SEC N. GOLIAD ST. AND E. QUAIL
RUN RD.
ROCKWALL, TEXAS

No.	DATE	REVISION	APPROV
6.			
5.			
4.			
3.	12/18/2015	ISSUE FOR CONSTRUCTION	M.B.
2.	12/09/2015	BULLETIN #1	M.B.
1.			

Winkelmann & Associates, Inc.
CONSULTING CIVIL ENGINEERS ■ SURVEYORS
720 HILGRET PLAZA DRIVE, SUITE 325
ROCKWALL, TEXAS 75087
(972) 960-7090
FAX (972) 960-7096
Professional Engineer Registration No. 89
Professional Surveyor Registration No. 103866-00
Professional Engineer Registration No. 103866-00
Professional Surveyor Registration No. 103866-00

10-19-2016
THE SEAL APPEARING ON THIS DOCUMENT WAS AUTHORIZED BY MARIA C. BONILLA-NICHOLLS, P.E. # 100106

C-11.09
DAL574