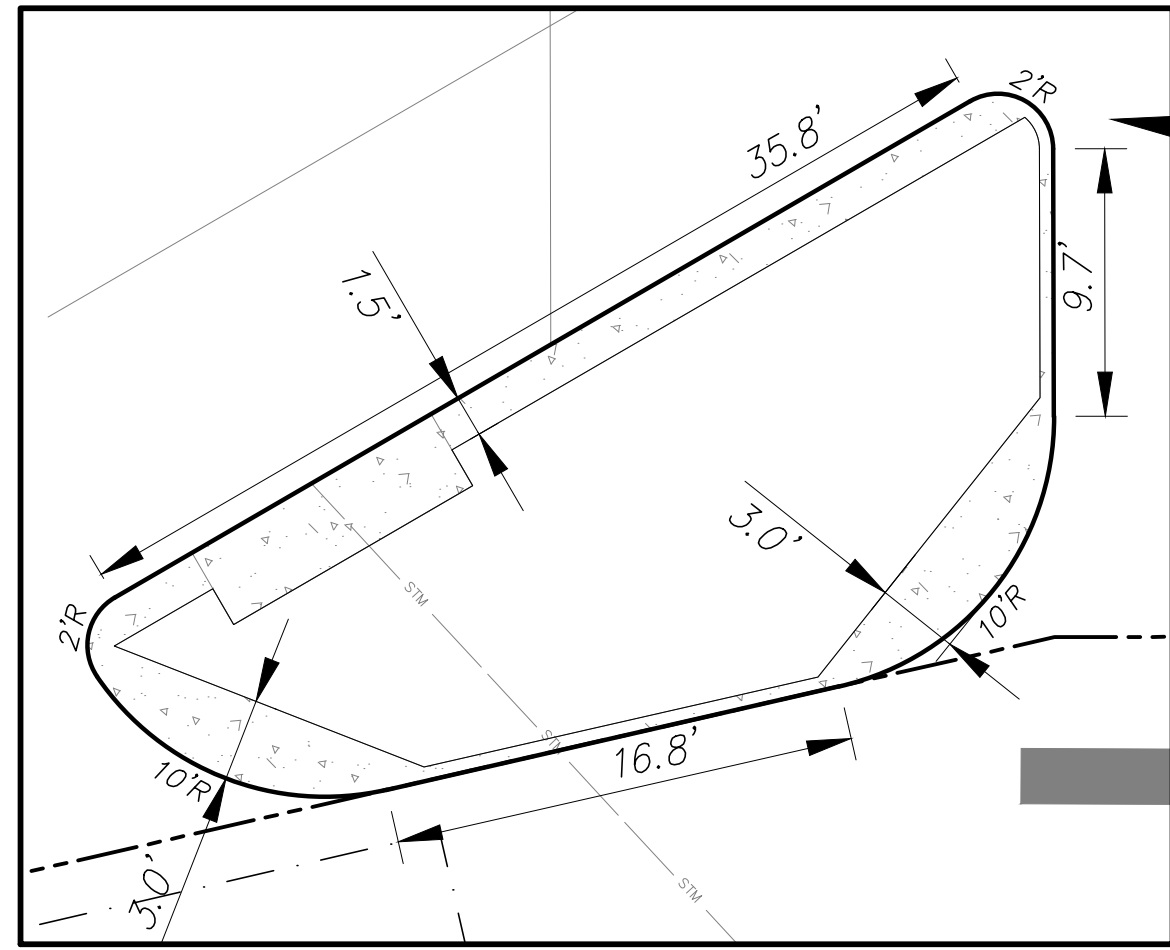
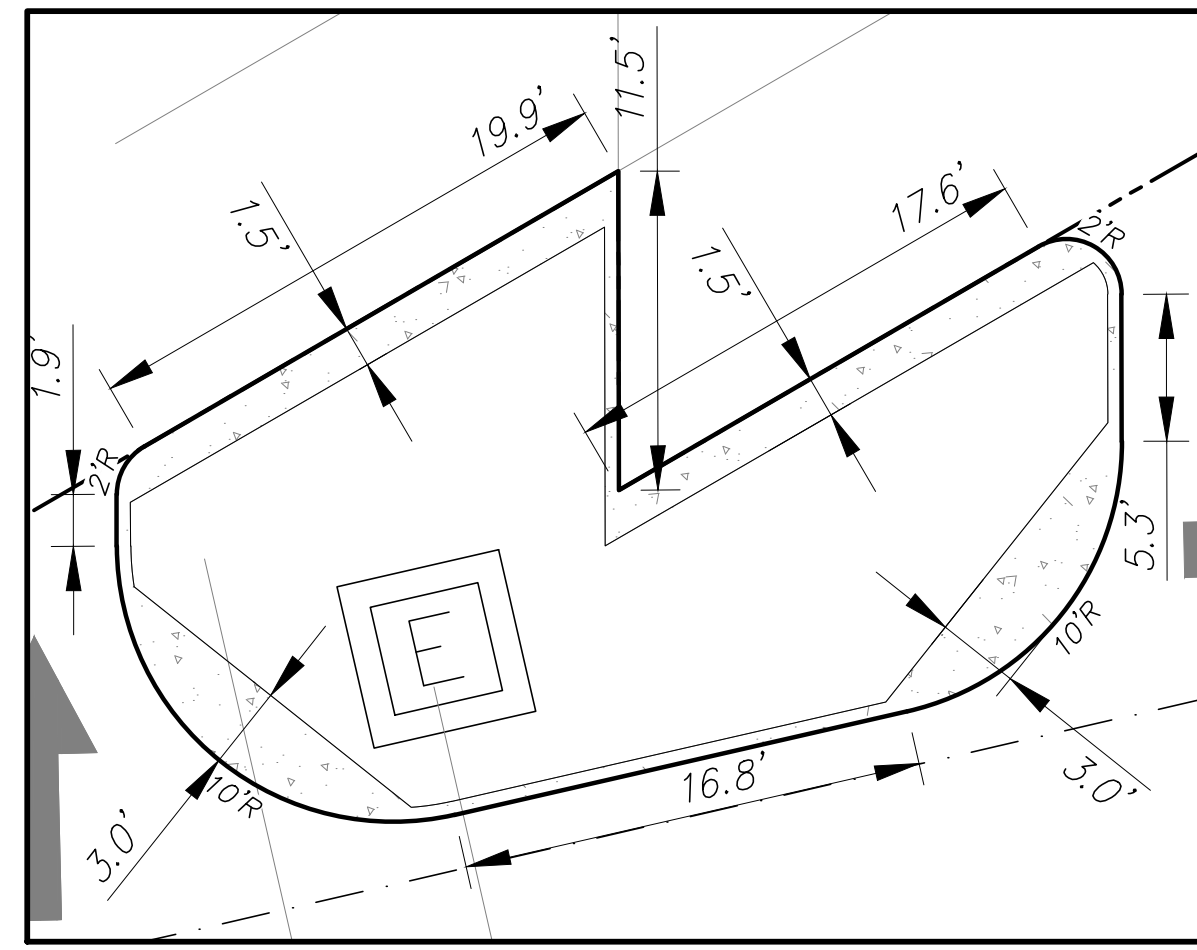


ALL DIMENSIONS ARE TO FACE OF CURB

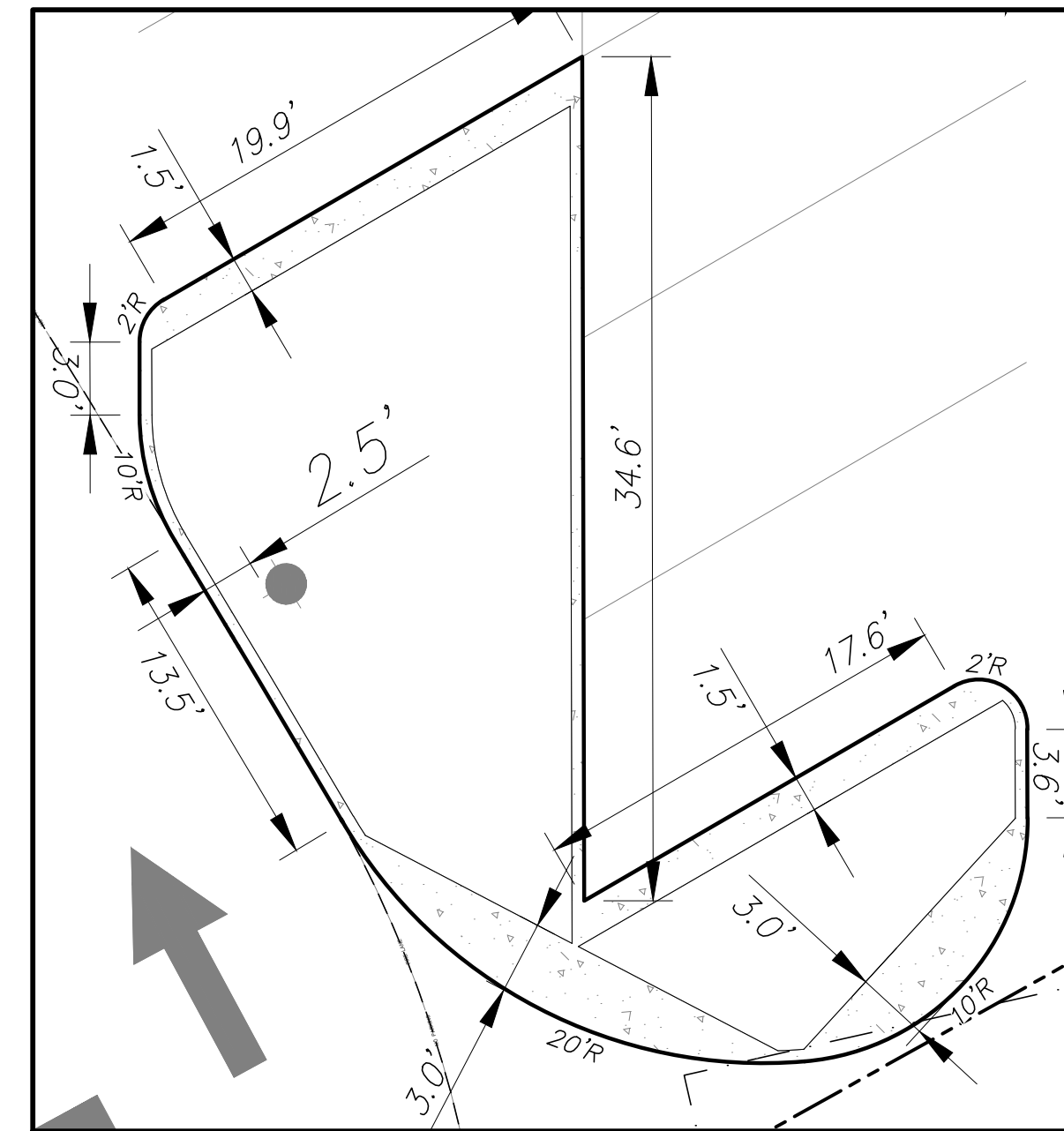
INSTALL VARIABLE WIDTH CONCRETE ADJACENT TO CURB



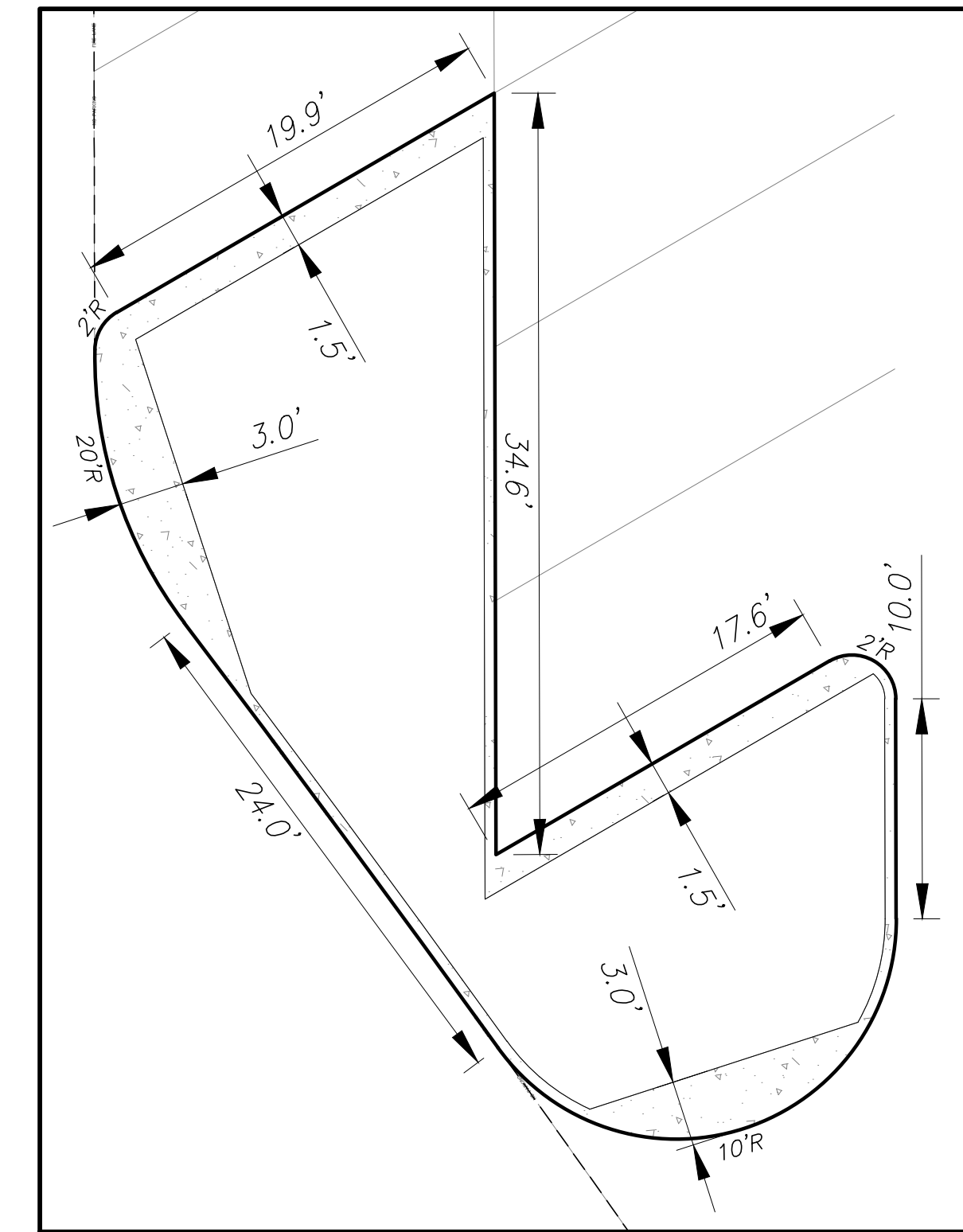
DETAIL L
N.T.S.



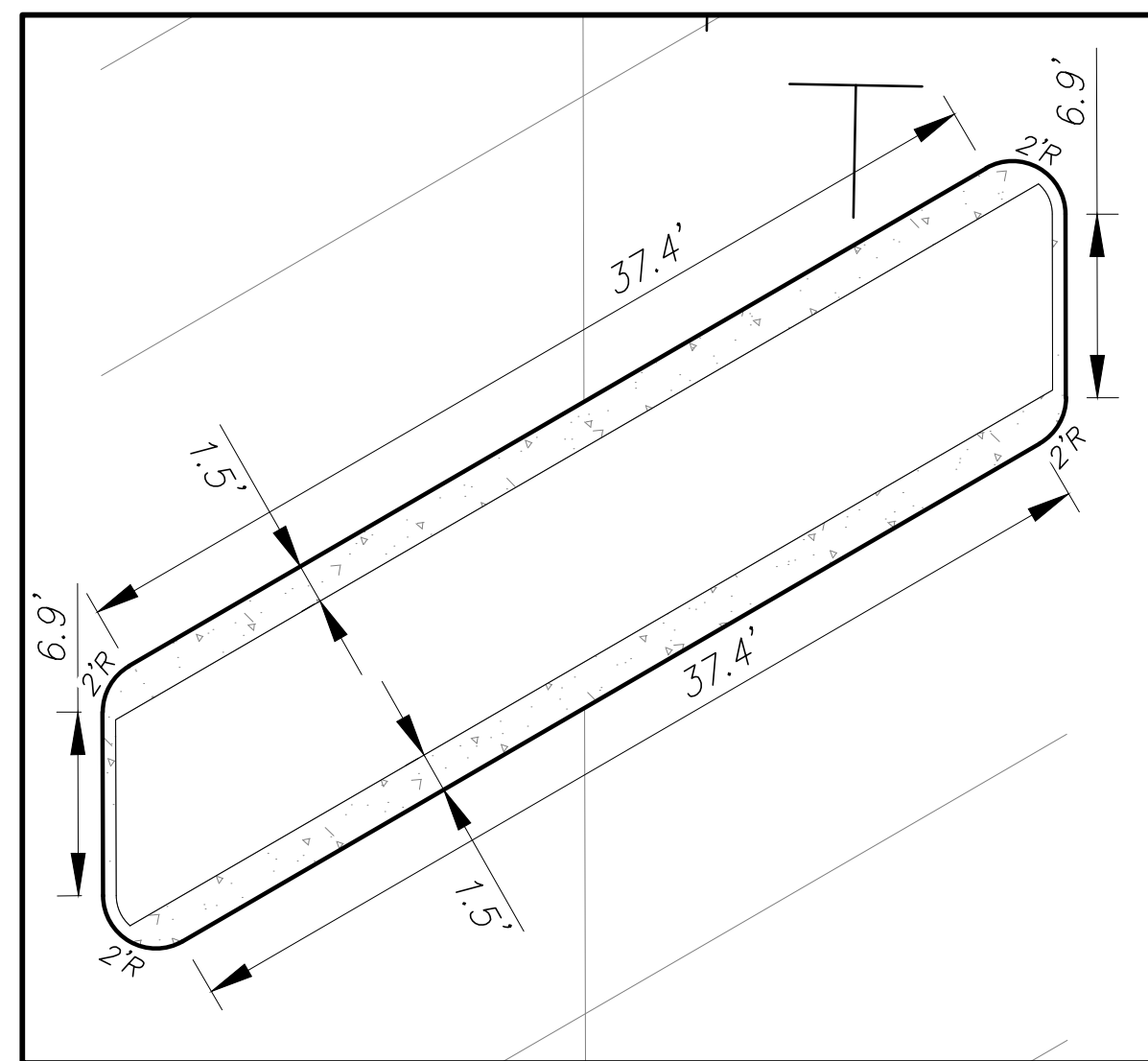
DETAIL M
N.T.S.



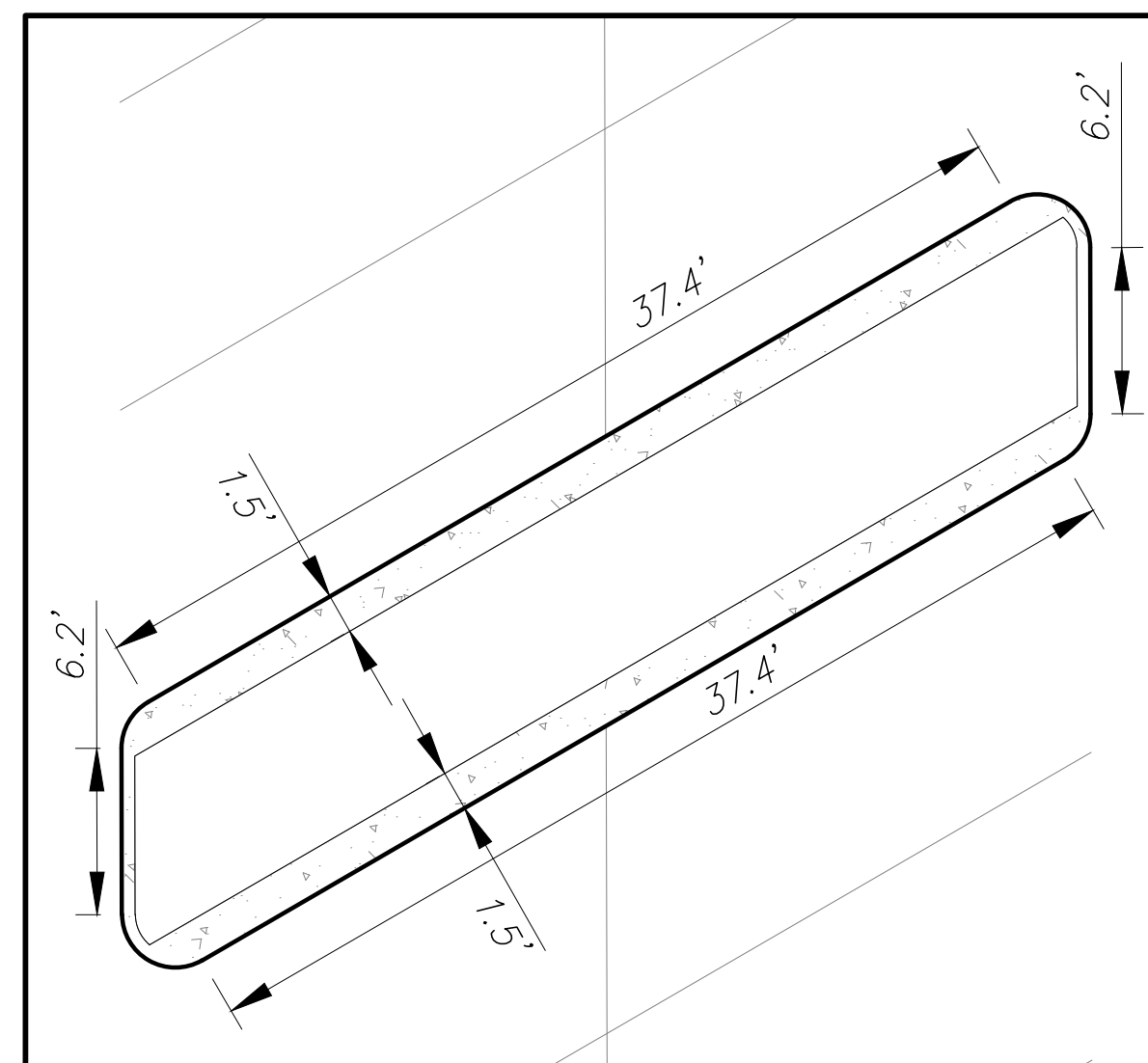
DETAIL N
N.T.S.



DETAIL O
N.T.S.

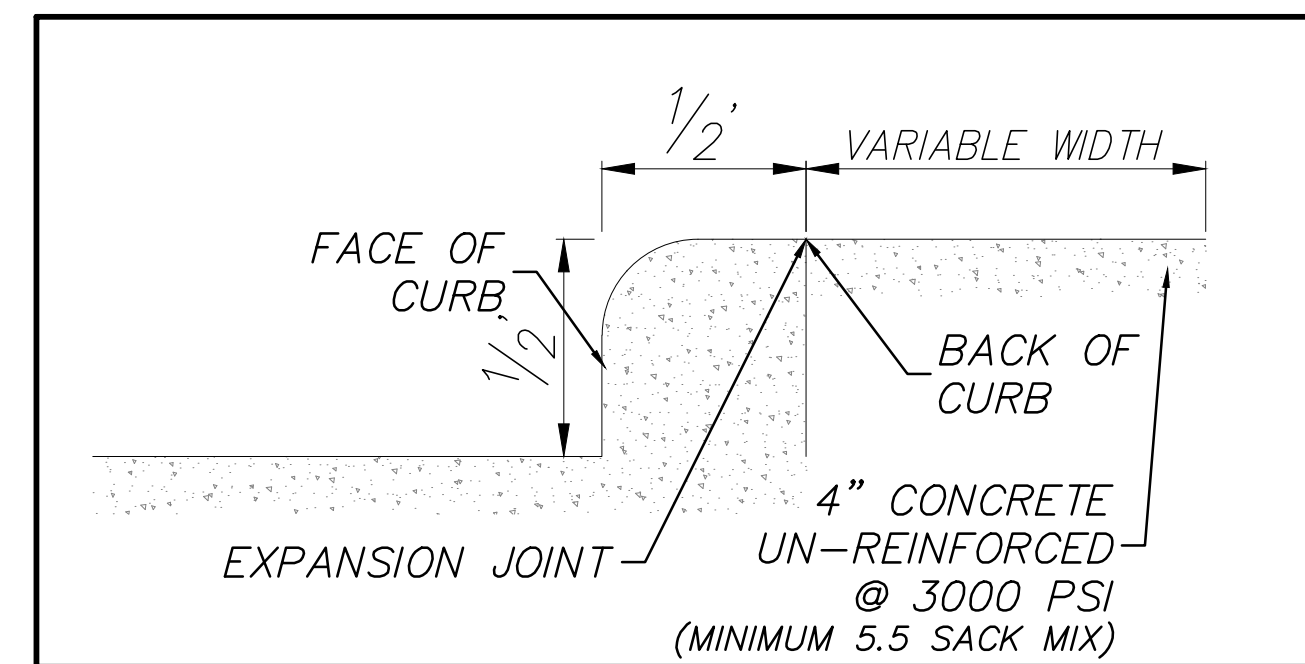


DETAIL P
N.T.S.



DETAIL Q
N.T.S.

TYPICAL KROGER CURB CROSS SECTION



AS-BUILT

THIS RECORD DRAWING IS COMPILATION OF A COPY OF THE SEALED ENGINEERING DRAWING FOR THIS PROJECT; MODIFIED BY ADDENDA, CHANGE ORDERS, AND INFORMATION FURNISHED BY THE CONTRACTOR. THE INFORMATION SHOWN ON THE RECORD DRAWINGS IS PROVIDED BASED ON SURVEYING AT THE SITE AND INFORMATION PROVIDED BY THE CONTRACTOR OR OTHERS NOT ASSOCIATED WITH THE DESIGN ENGINEER. THE ORIGINAL SEALED DRAWING ARE ON FILE AT THE OFFICES OF WINKELMANN AND ASSOCIATES, INC.

Maria L. Boilla
WINKELMANN AND ASSOCIATES, INC.

10-19-2016
DATE

ALL RESPONSIBILITY FOR ADEQUACY OF DESIGN REMAINS WITH THE DESIGN ENGINEER. THE CITY OF ROCKWALL, IN REVIEWING AND RELEASING PLANS FOR CONSTRUCTION, ASSUMES NO RESPONSIBILITY FOR ADEQUACY OR ACCURACY OF DESIGN.

No.	DATE	REVISION	APPROVED
6.			
5.			
4.			
3.	12/18/2015	ISSUE FOR CONSTRUCTION BULLETIN #1	M.B.
2.	12/09/2015		M.B.
1.			

Winkelmann & Associates, Inc.
CONSULTING CIVIL ENGINEERS ■ SURVEYORS
7720 HILGREET PLAZA DRIVE, SUITE 325
ROCKWALL, TEXAS 75087
PHONE: (972) 940-7090 FAX: (972) 940-7099
WWW.WINKELMANN-AND-ASSOCIATES.COM
Professional Engineer Registration No. 89
Professional Surveyor Registration No. 100866-00
Professional Engineer Registration No. 100866-00
Professional Surveyor Registration No. 100866-00

STATE OF TEXAS
MARIAN C. BOILLA-MCHOLLS
100106
LICENSED
PROFESSIONAL ENGINEER
10-19-2016
THE SEAL APPEARING ON THIS DOCUMENT WAS AUTHORIZED BY MARIAN C. BOILLA-MCHOLLS, P.E. # 100106

ISLAND DETAIL
SEC N. GOLIAD ST. AND E. GUAL RUN RD.
ROCKWALL, TEXAS

C-07.04

DAL574