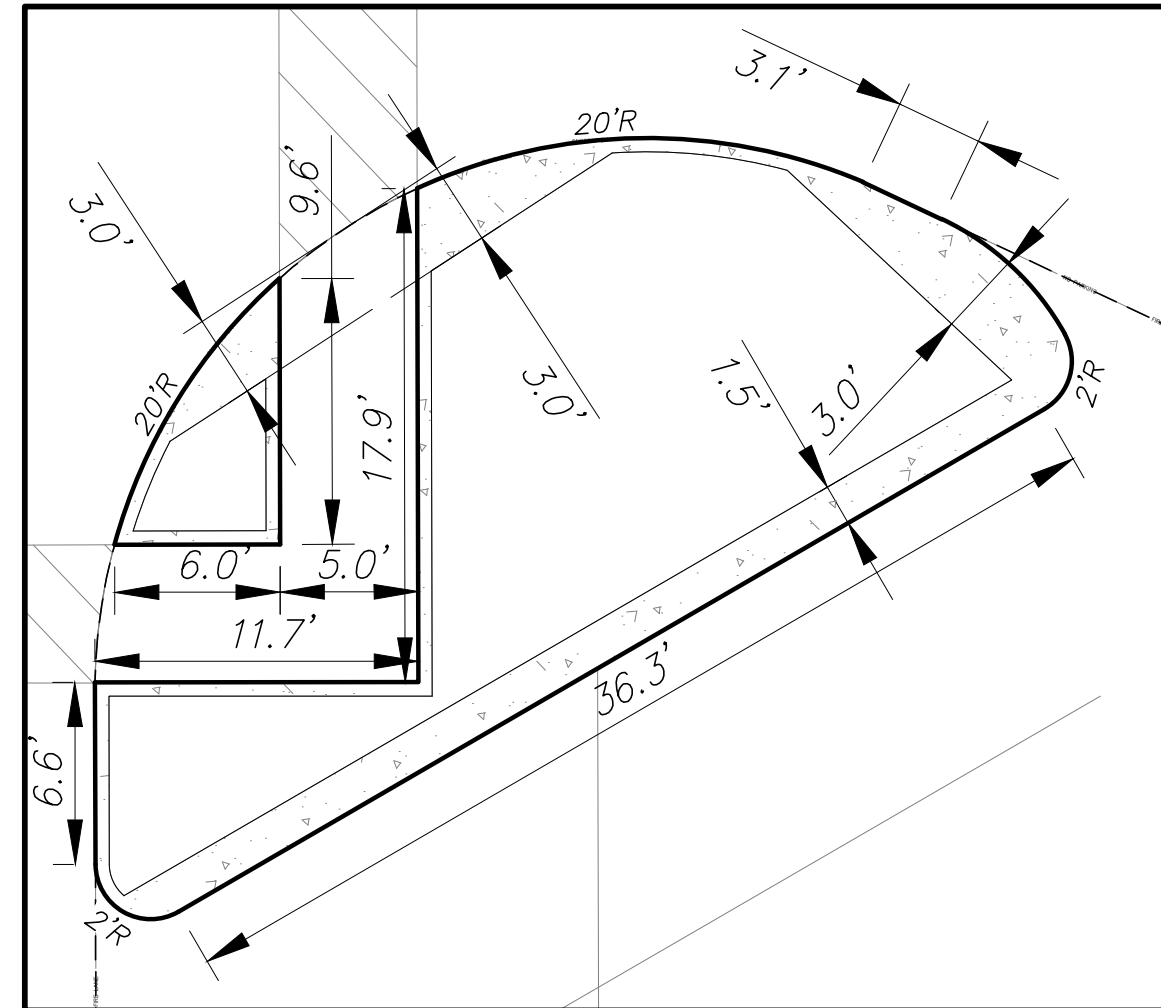


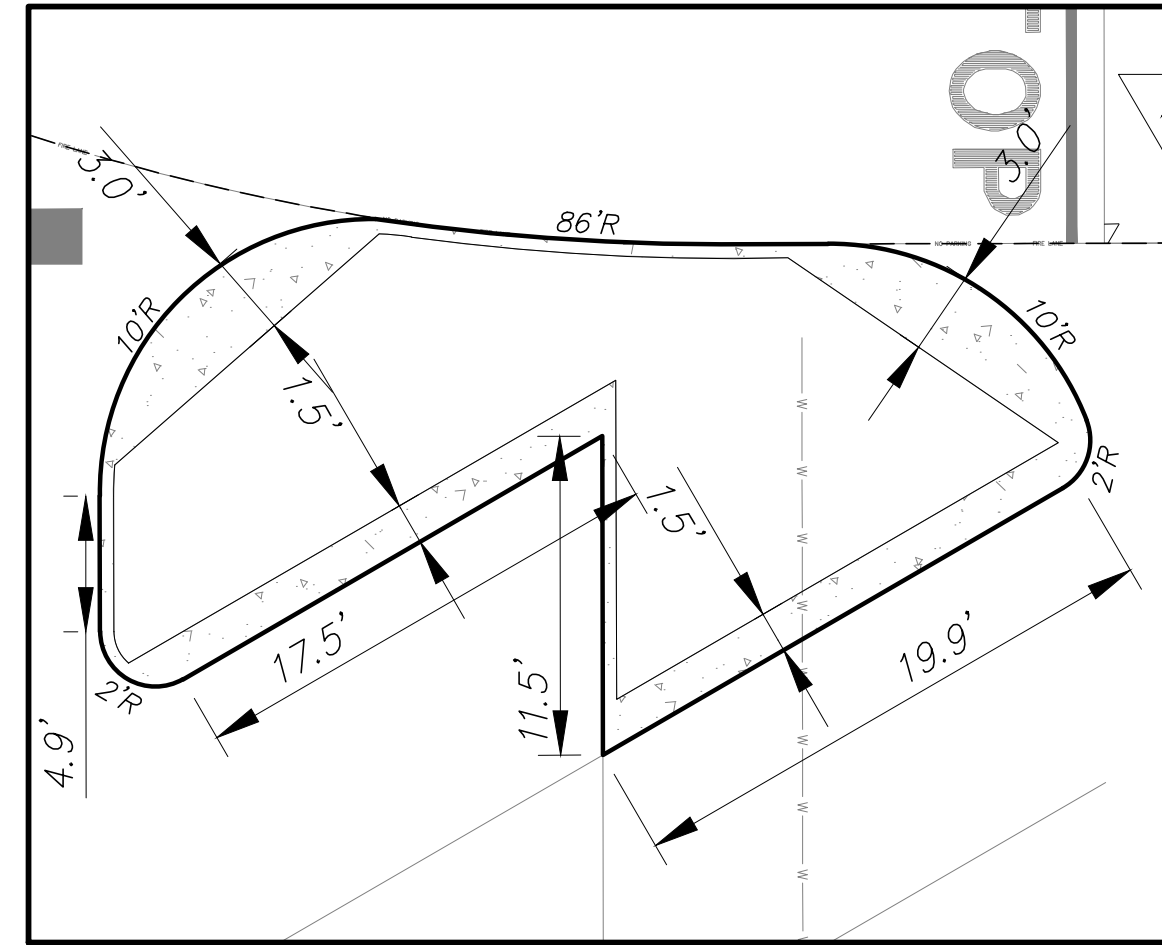
ALL DIMENSIONS ARE TO FACE OF CURB

 INSTALL VARIABLE WIDTH CONCRETE ADJACENT TO CURB

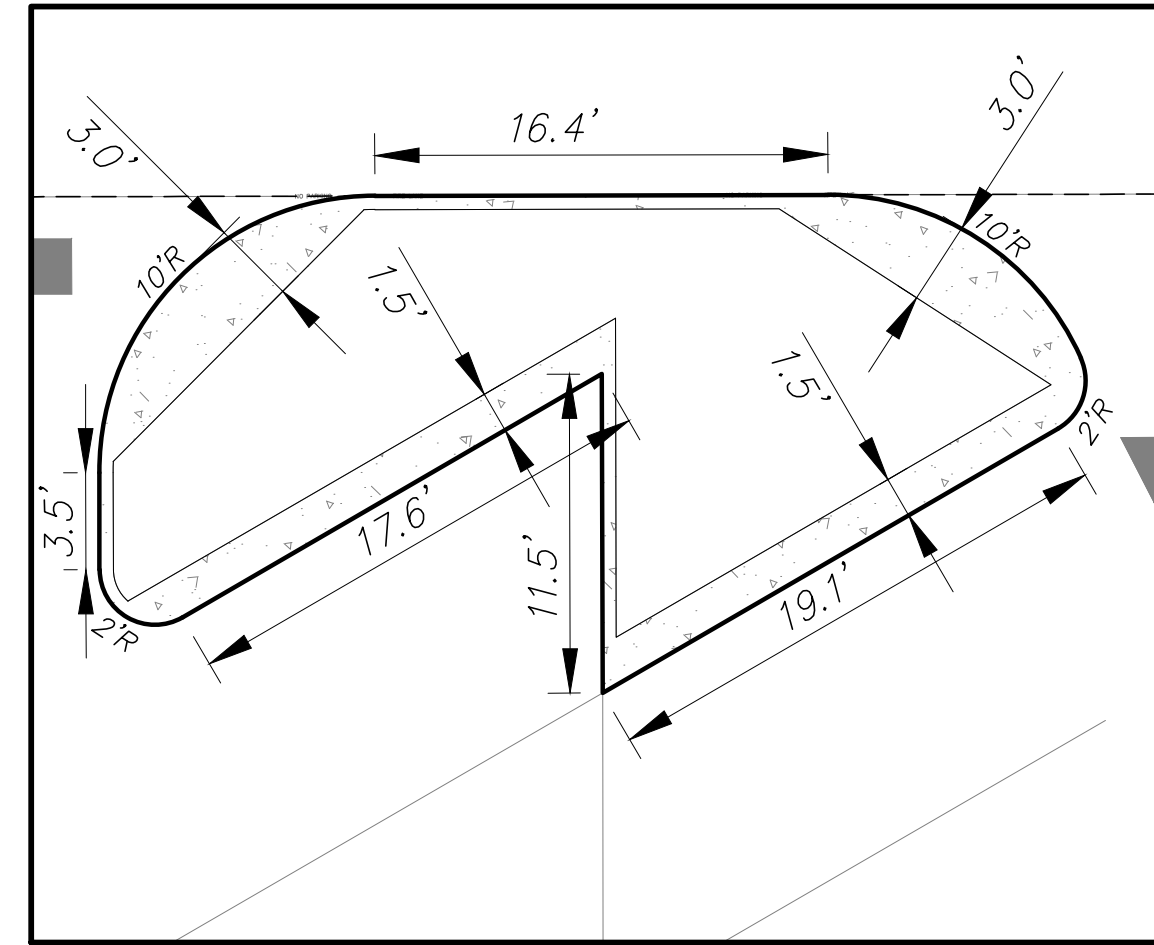
ALL RESPONSIBILITY FOR ADEQUACY OF DESIGN REMAINS WITH THE DESIGN ENGINEER. THE CITY OF ROCKWALL, IN REVIEWING AND RELEASING PLANS FOR CONSTRUCTION, ASSUMES NO RESPONSIBILITY FOR ADEQUACY OR ACCURACY OF DESIGN.



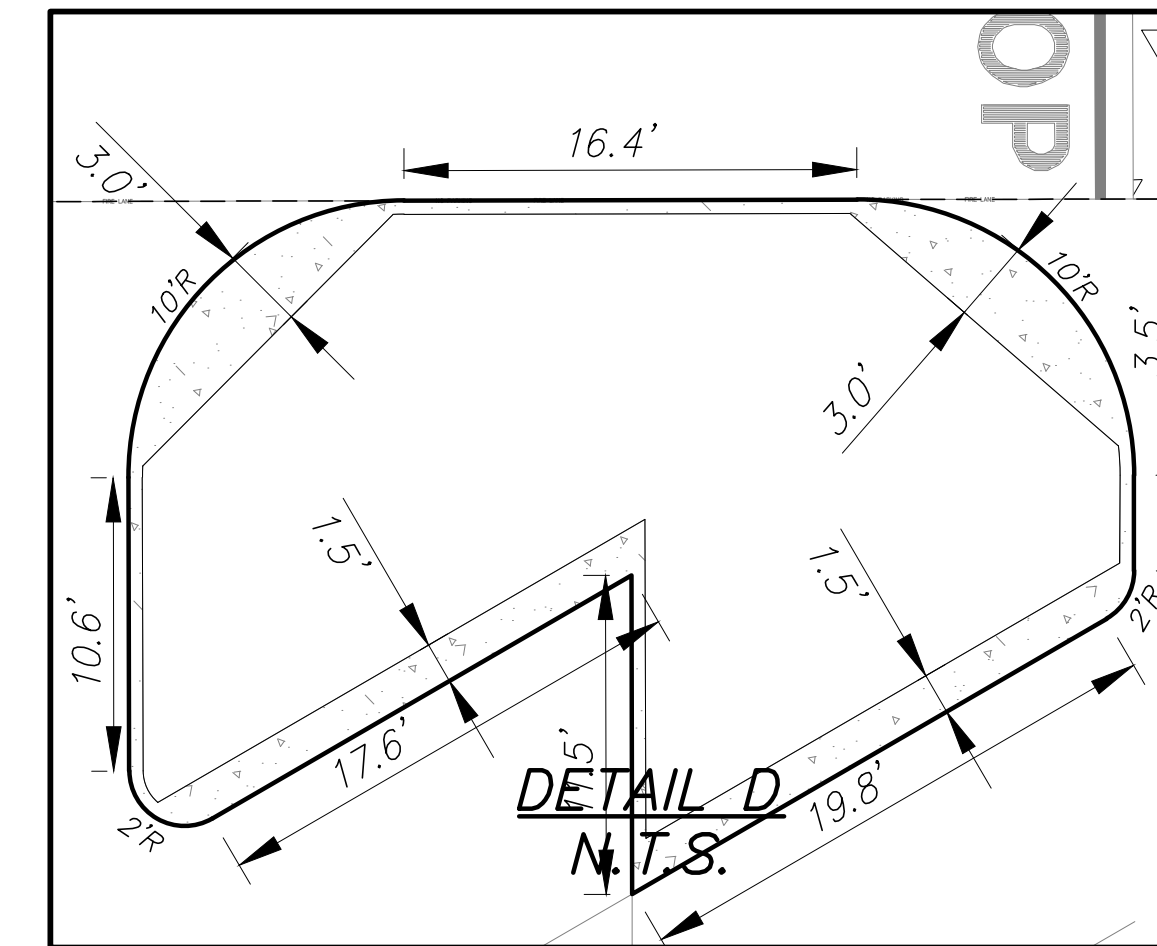
DETAIL A
N.T.S.



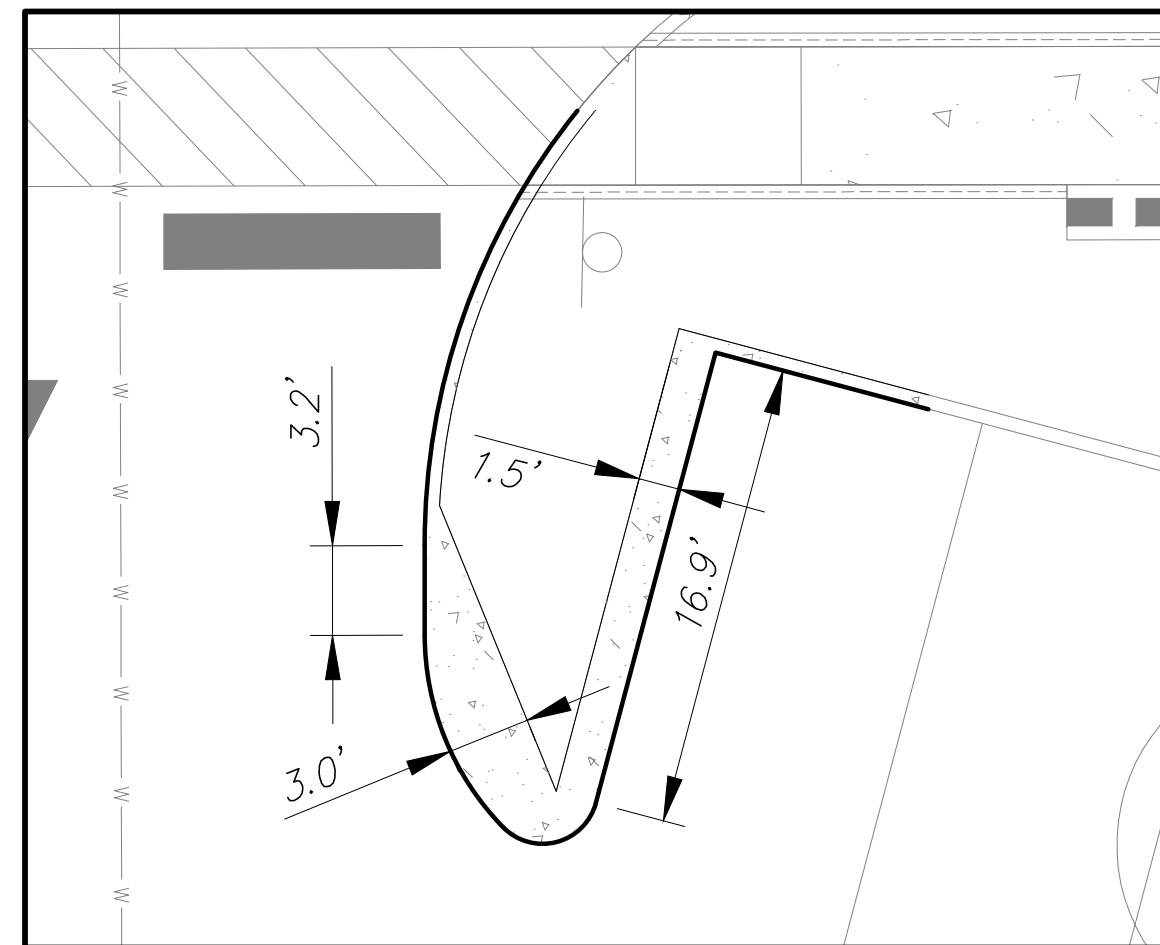
DETAIL B
N.T.S.



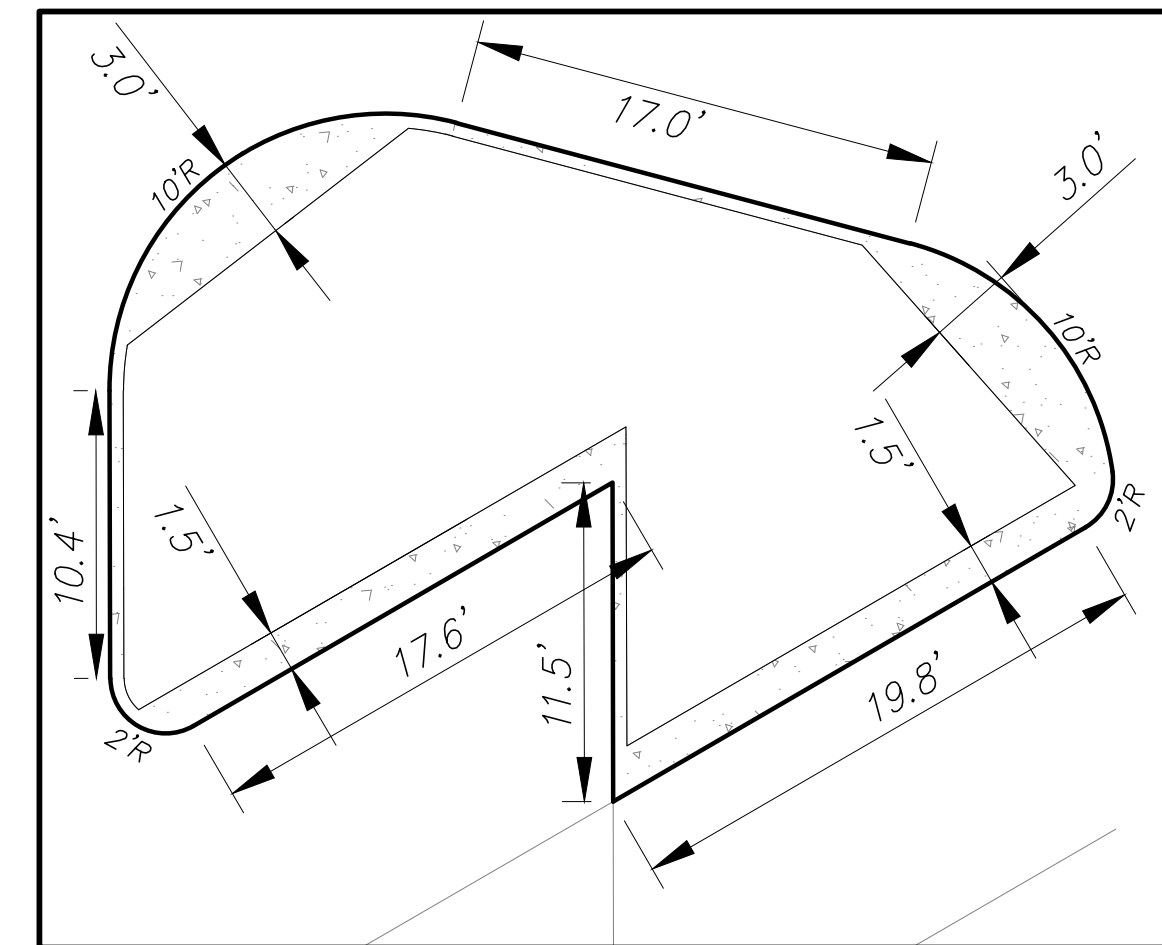
DETAIL C
N.T.S.



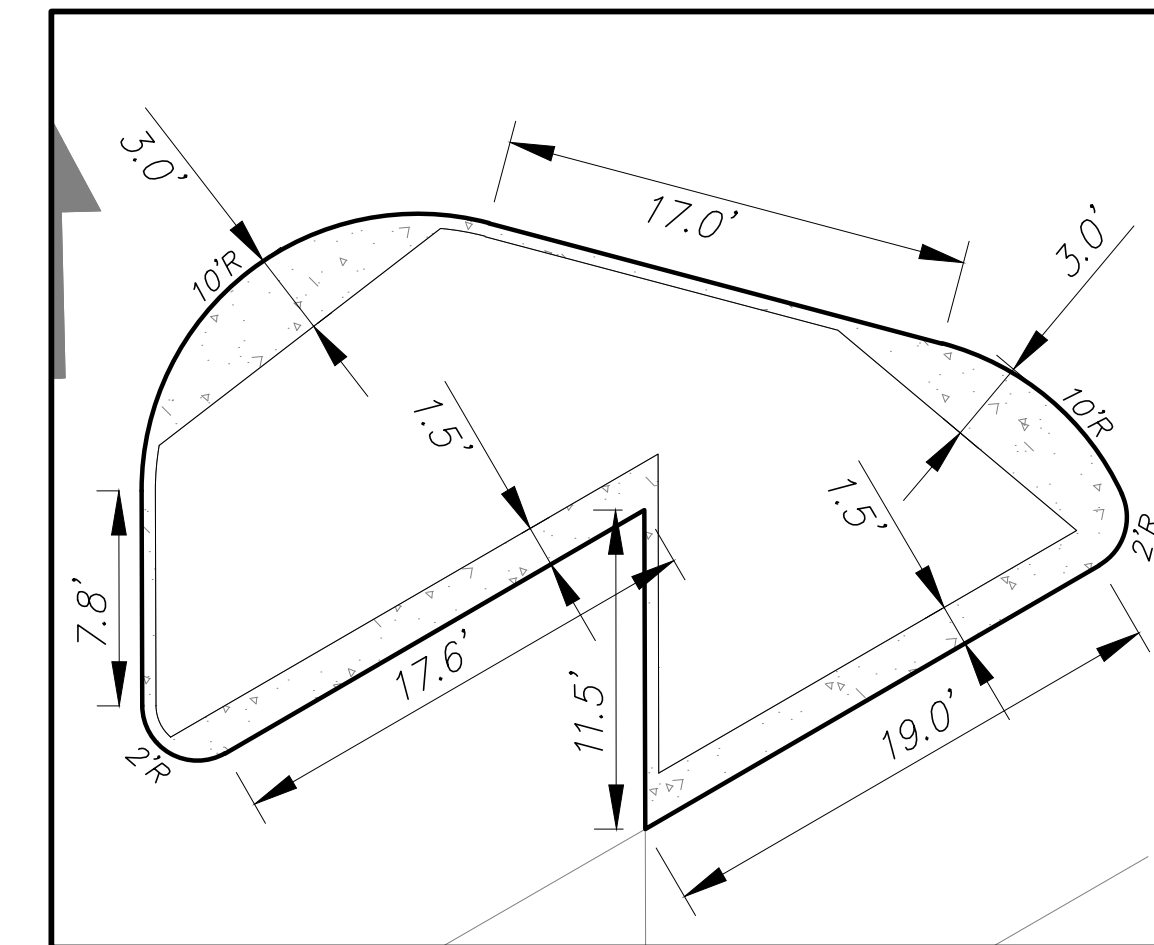
DETAIL D
N.T.S.



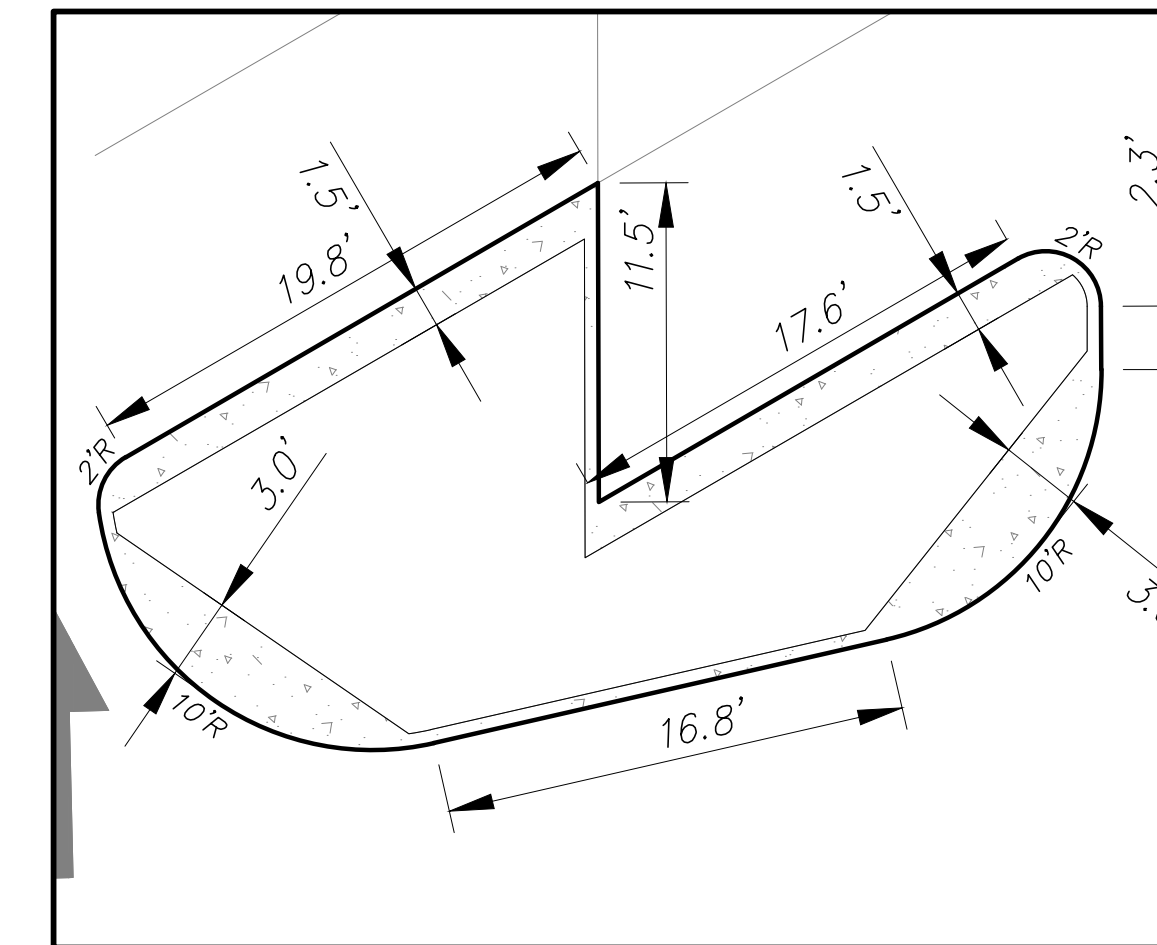
DETAIL E
N.T.S.



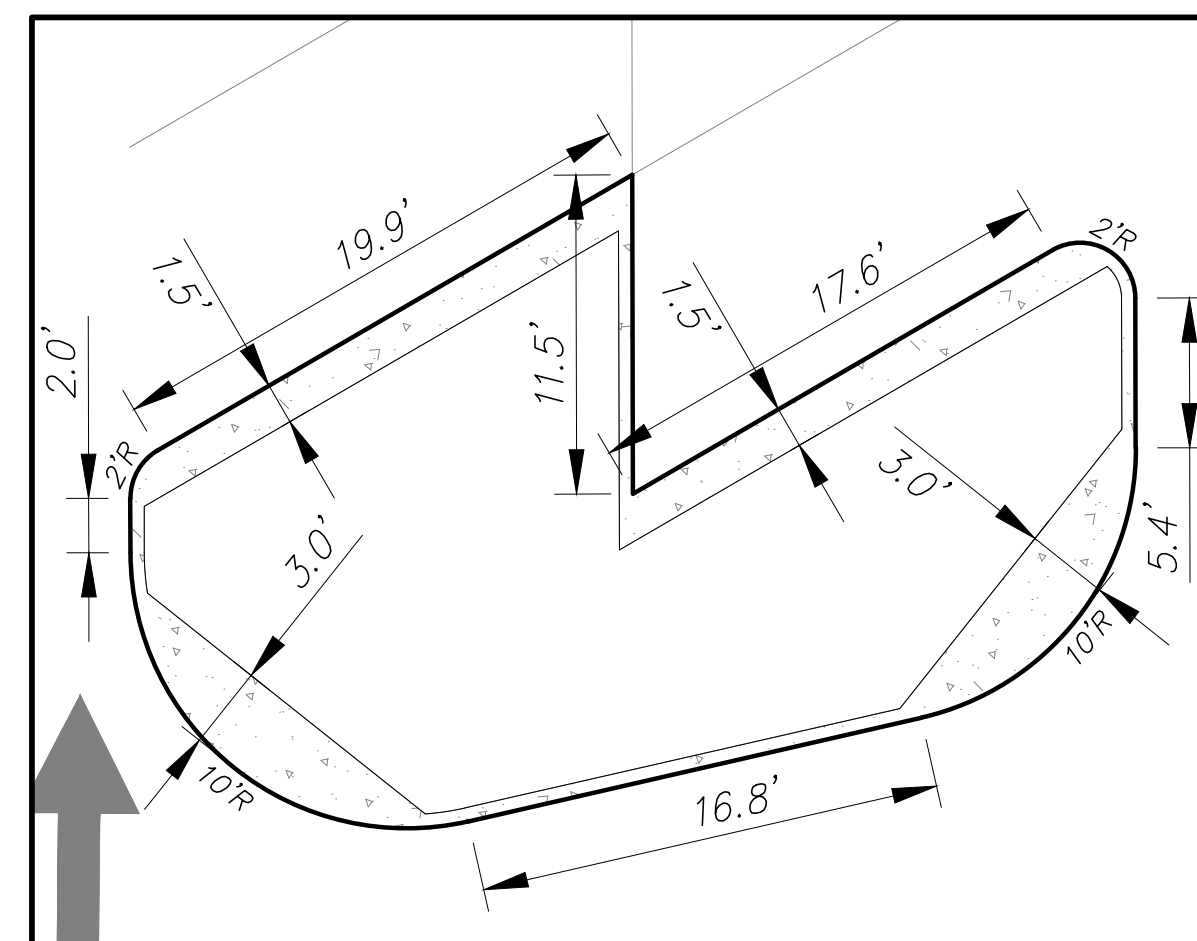
DETAIL F
N.T.S.



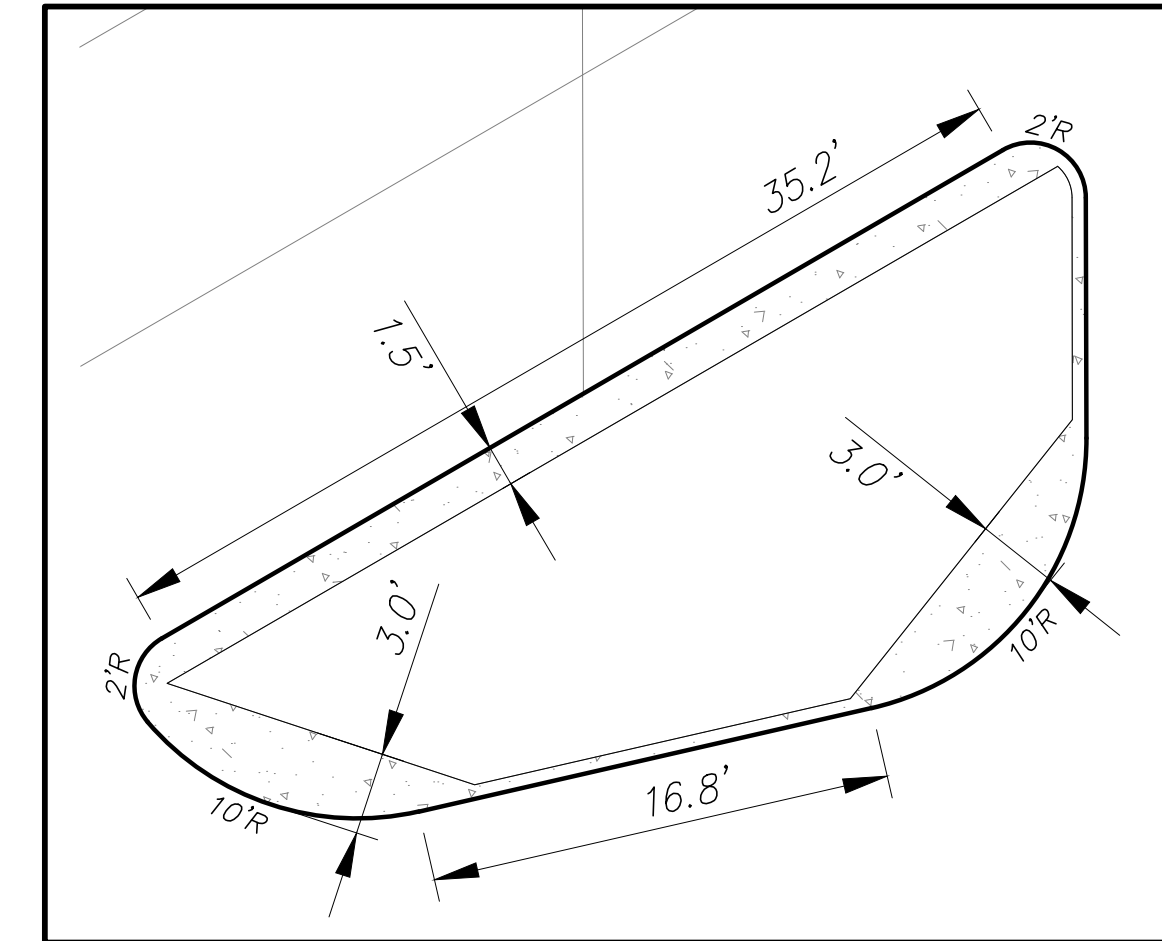
DETAIL G
N.T.S.



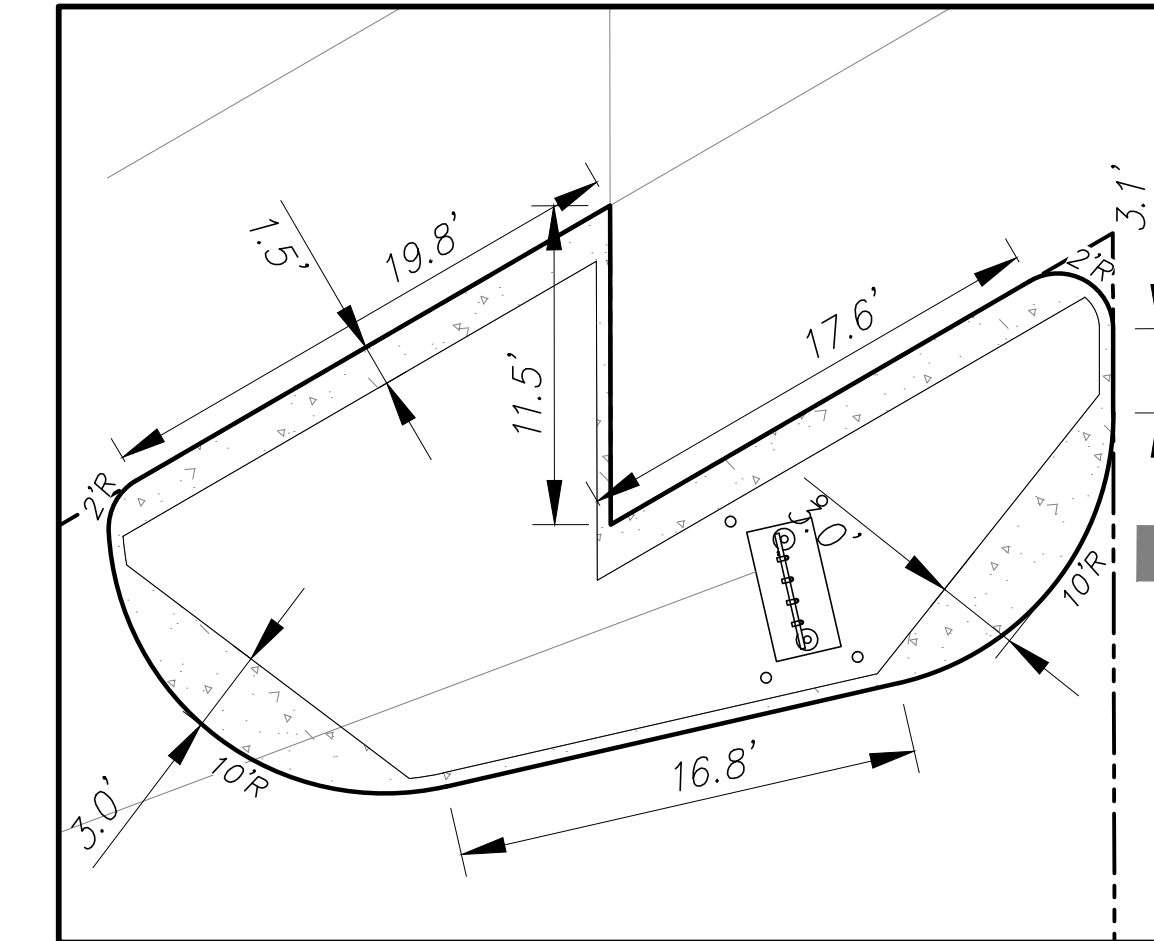
DETAIL H
N.T.S.



DETAIL I
N.T.S.

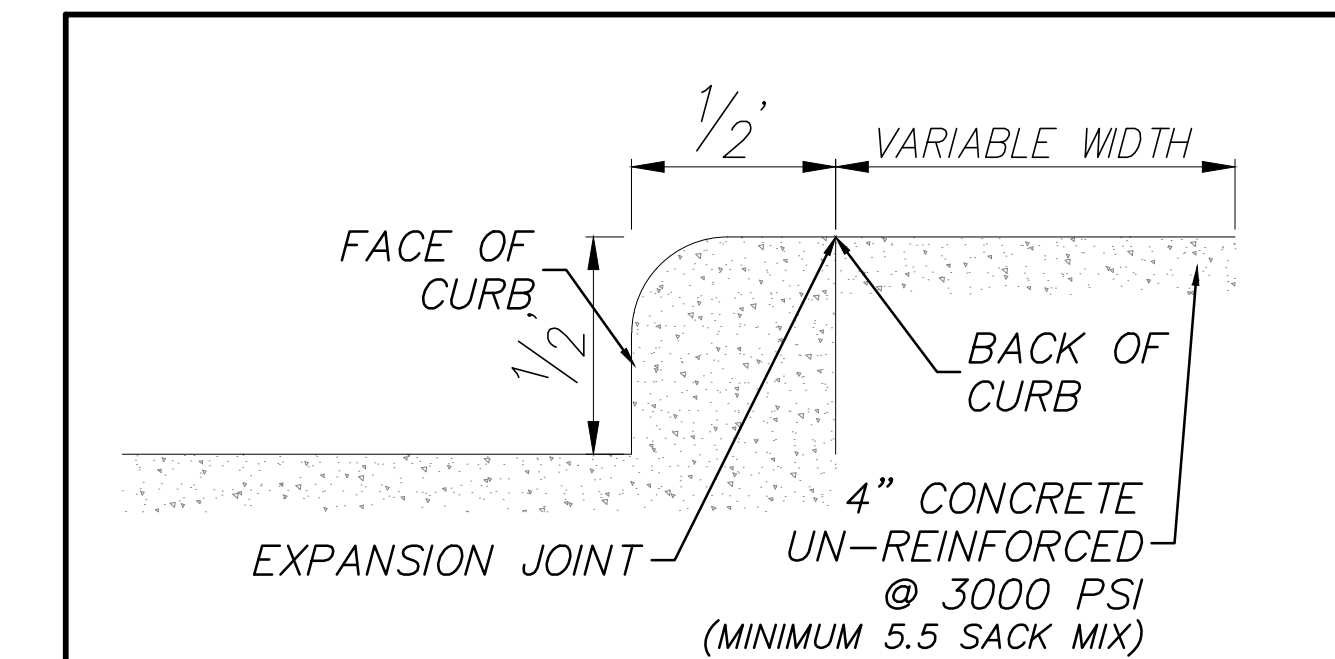


DETAIL J
N.T.S.



DETAIL K
N.T.S.

TYPICAL KROGER CURB CROSS SECTION



AS-BUILT

THIS RECORD DRAWING IS COMPILATION OF A COPY OF THE SEALED ENGINEERING DRAWING FOR THIS PROJECT; MODIFIED BY ADDENDA, CHANGE ORDERS, AND INFORMATION FURNISHED BY THE CONTRACTOR. THE INFORMATION SHOWN ON THE RECORD DRAWINGS IS PROVIDED BASED ON SURVEYING AT THE SITE AND INFORMATION PROVIDED BY THE CONTRACTOR OR OTHERS NOT ASSOCIATED WITH THE DESIGN ENGINEER. THE ORIGINAL SEALED DRAWING ARE ON FILE AT THE OFFICES OF WINKELMANN AND ASSOCIATES, INC.

Maura L. Boilla
WINKELMANN AND ASSOCIATES, INC.

10-19-2016
DATE

6.				
5.				
4.				
3.				
2.	12/18/2015	ISSUE FOR CONSTRUCTION	M.B.	
1.	12/09/2015	BULLETIN #1	M.B.	
No.	DATE	REVISION		APPROV

Winkelmann & Associates, Inc.
CONSULTING CIVIL ENGINEERS ■ SURVEYORS
6720 HILGRET PLAZA DRIVE, SUITE 325
ROCKWALL, TEXAS 75087
Phone: 972-940-7090
Fax: 972-940-7099
Professional Engineer Registration No. 89
Professional Surveyor Registration No. 100866-00
Contractor License: 100866-00
Winkelmann & Associates, Inc.

ISLAND DETAIL
SEC. N. GOLIAD ST. AND E. QUAL
RUN RD.
ROCKWALL, TEXAS

C-07.03
DAL574