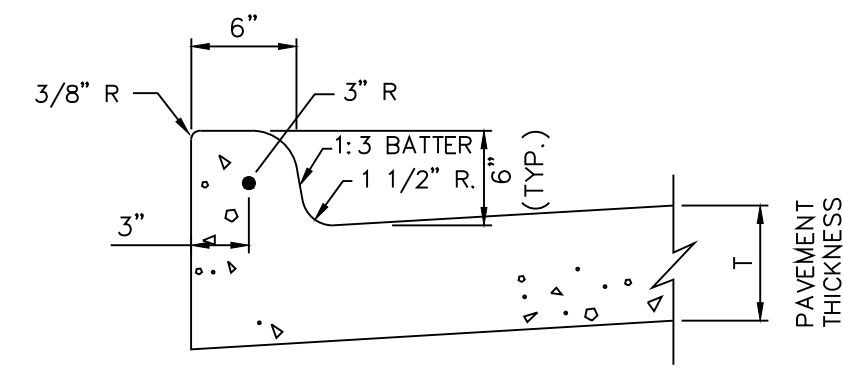
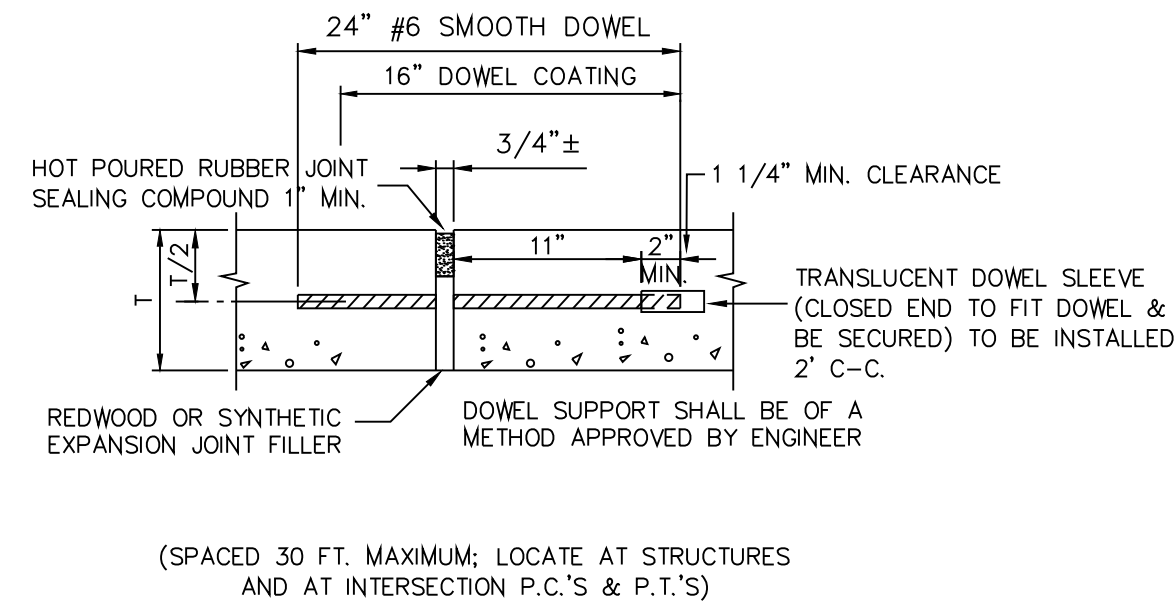


KIDDIE ACADEMY SITE DEVELOPMENT

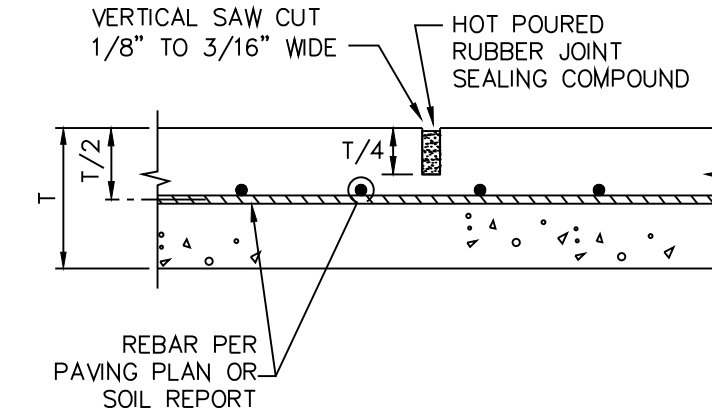
2.960 ACRES OF LAND BEING A REPLAT OF LOT 1, BLOCK S OF THE PRESERVE PHASE 3, AN ADDITION TO THE CITY OF ROCKWALL, ROCKWALL COUNTY, TEXAS



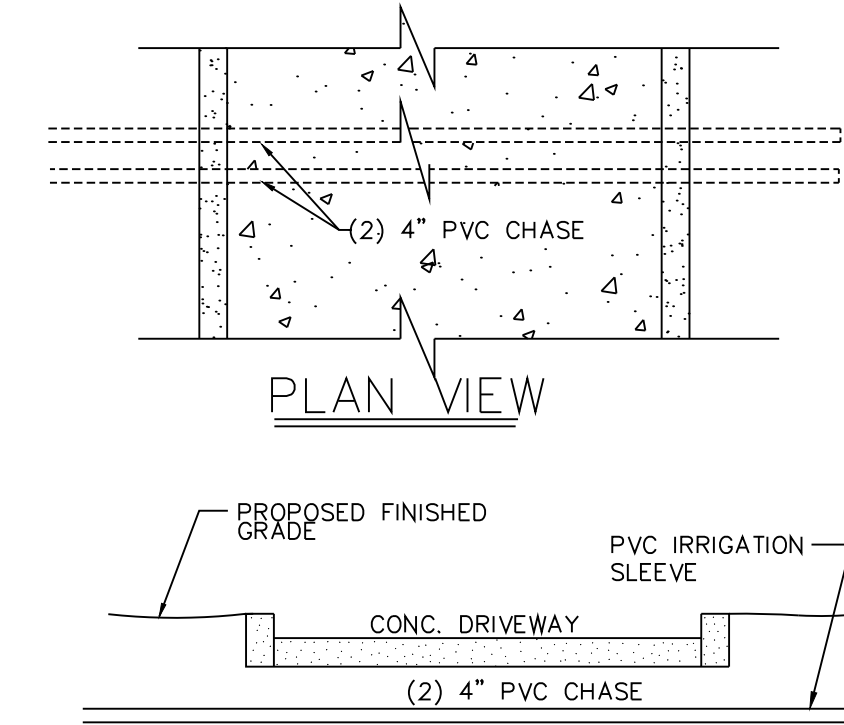
1 TYP. CURB DETAIL
7.1 N.T.S.



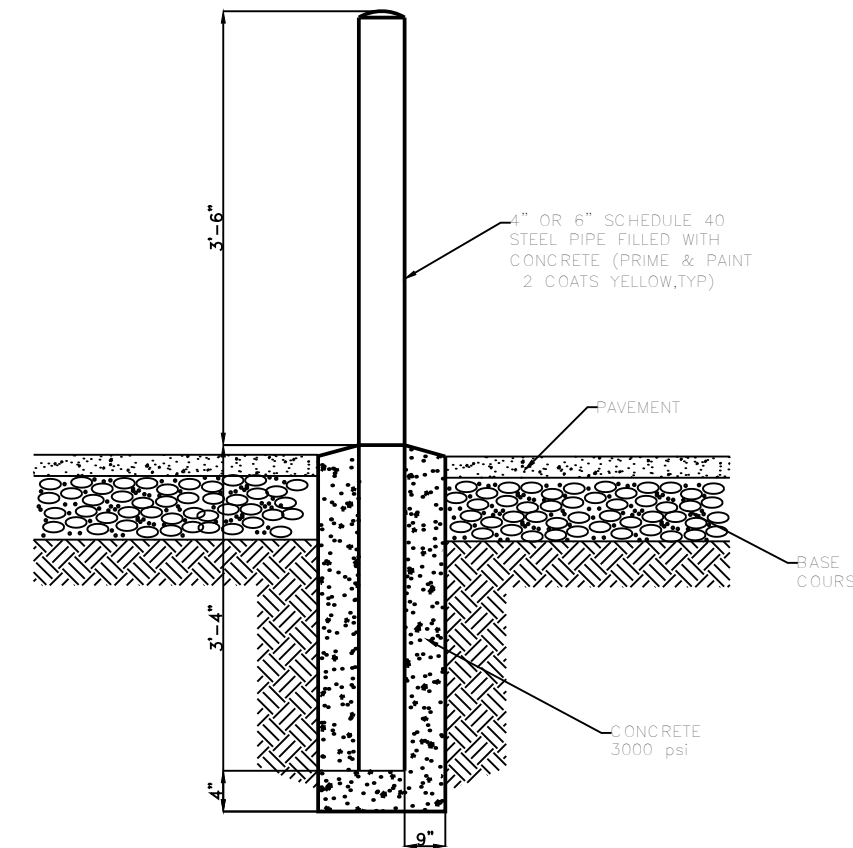
2 TYP. EXPANSION JOINT DETAIL
7.1 N.T.S.



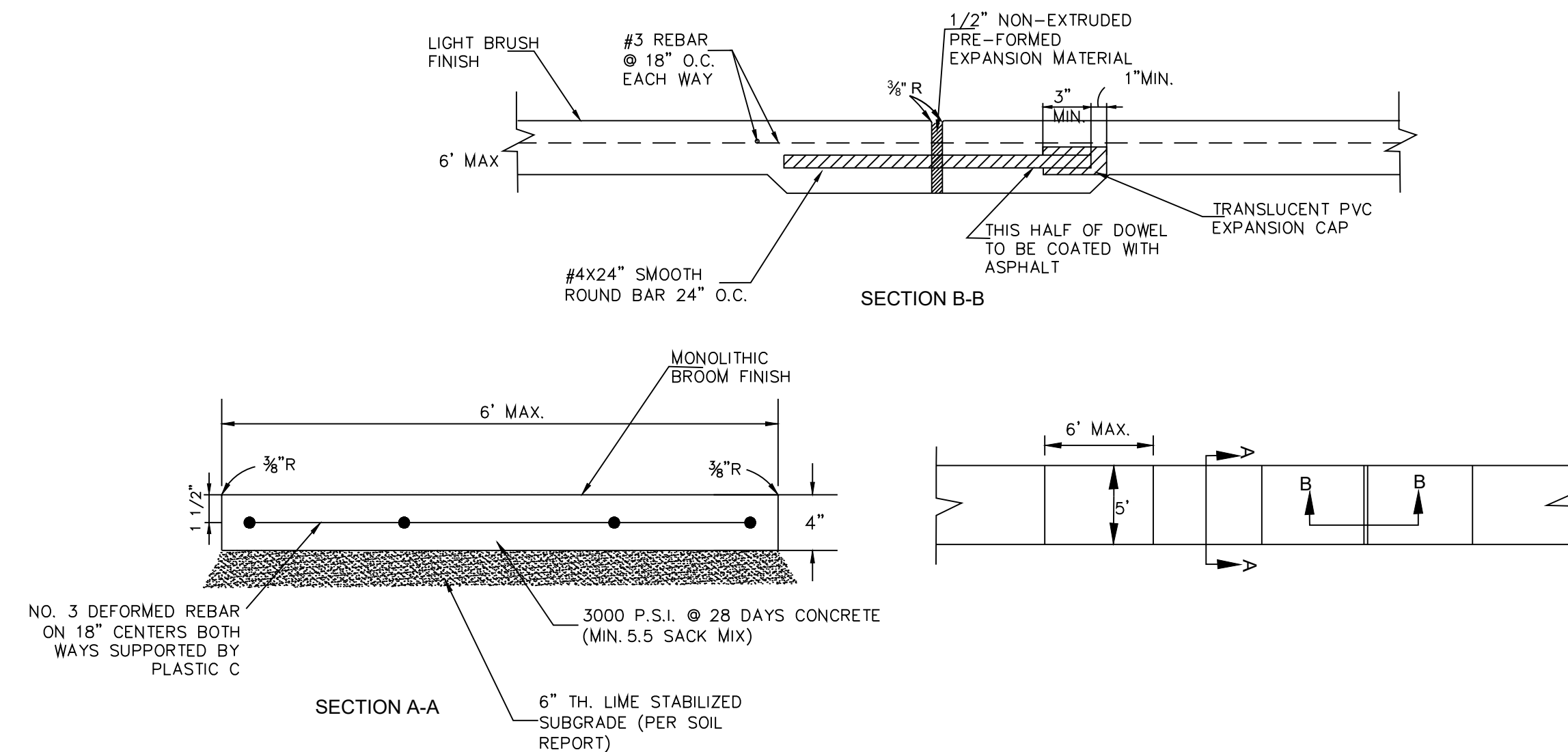
3 TYPICAL SAW CUT DETAIL
7.1 N.T.S.



4 IRRIGATION SLEEVES
7.1 N.T.S.



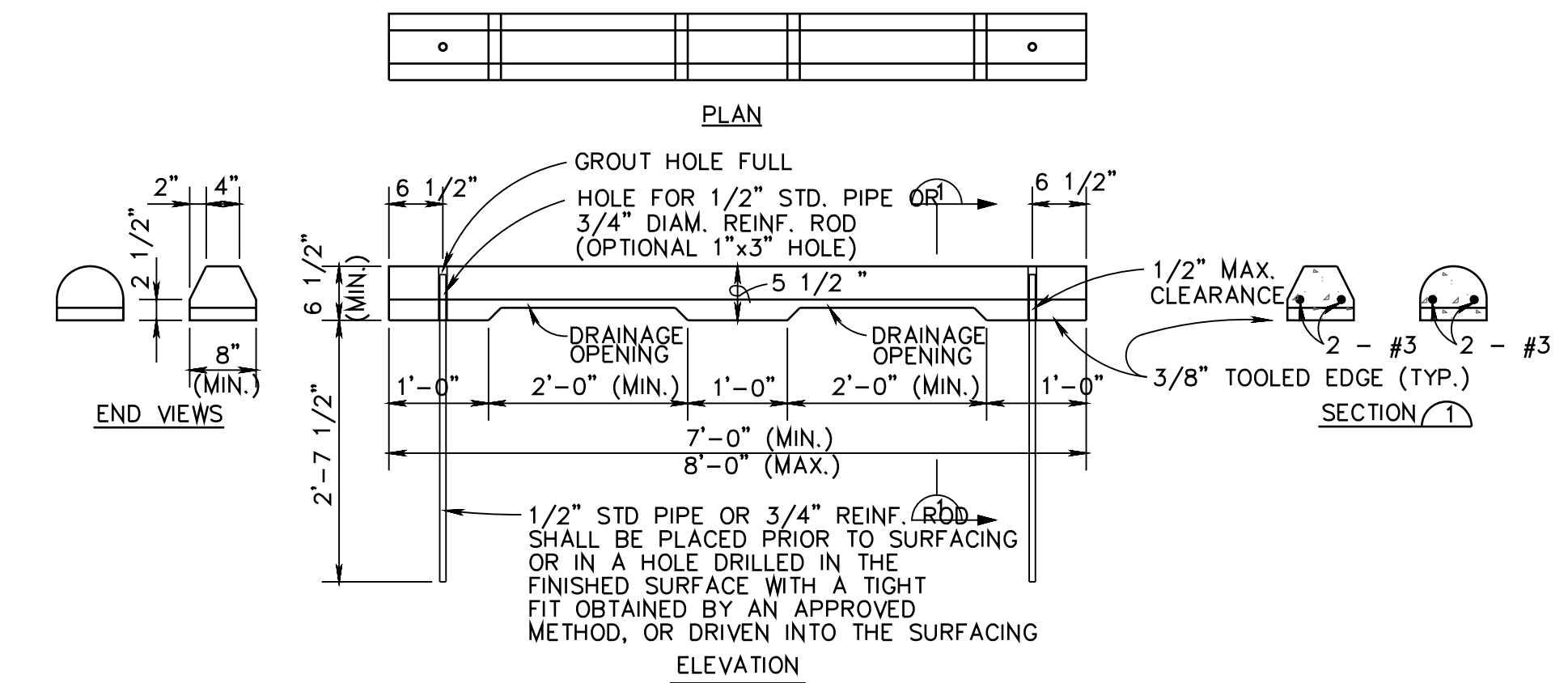
6 6" DIA. BOLLARD DETAILS
7.1 N.T.S.



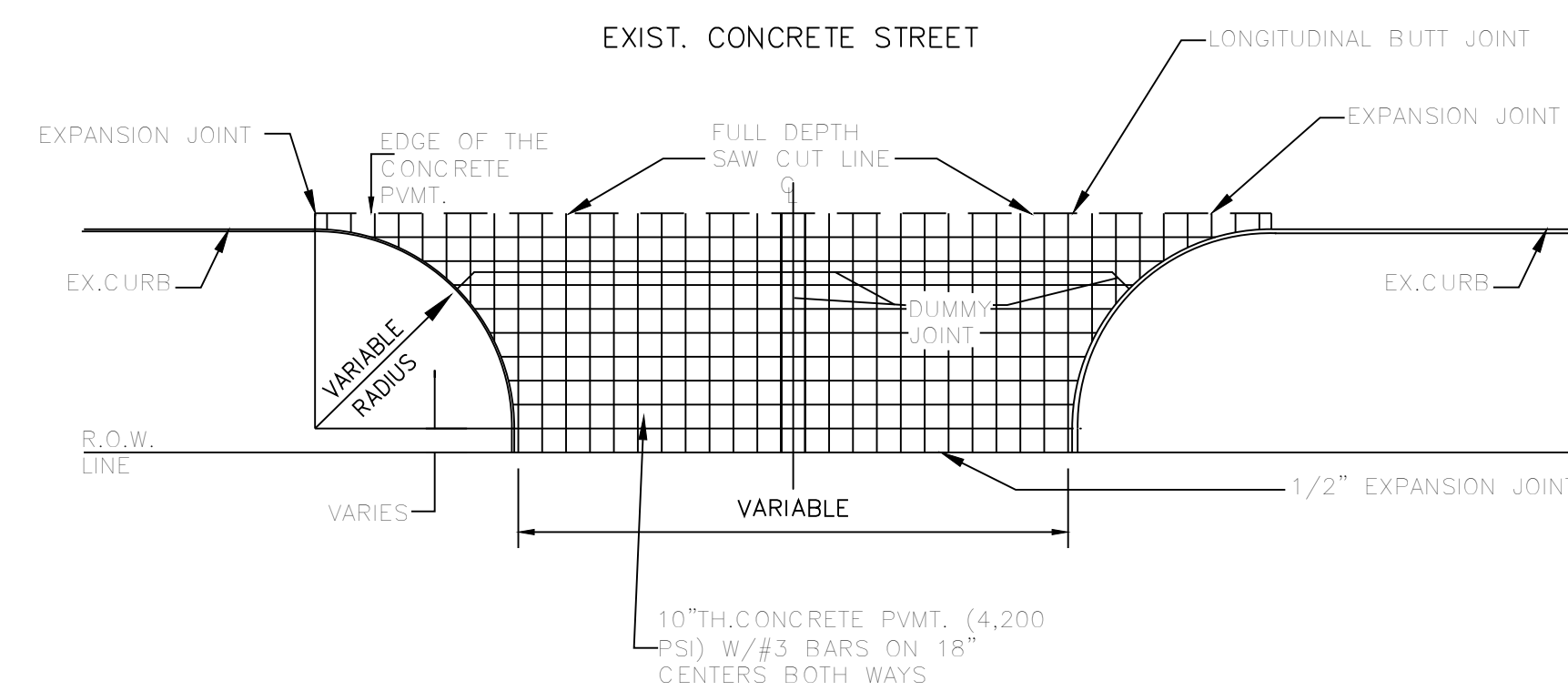
7 SIDEWALK DETAILS
7.1 N.T.S.

File: LONGITUDINAL BUTT JOINT.pdf
Missing for invalid reference

5 LONGITUDINAL BUTT JOINT
7.1 N.T.S.



8 PRECAST CONCRETE WHEEL STOP DETAILS
7.1 N.T.S.



10 CONCRETE DRIVEWAY DETAIL
7.1 N.T.S.

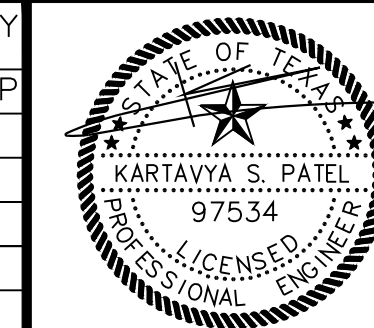
REFER MEP PLAN FOR DETAILS

9 TYPICAL SITE LIGHTING SECTIONS
7.1 N.T.S.

AS-BUILT DRAWINGS:
TO THE BEST OF OUR KNOWLEDGE TRIANGLE ENGINEERING LLC., HEREBY STATES THAT THIS PLAN IS AS-BUILT. THE INFORMATION PROVIDED IS BASED ON SURVEYING AT THE SITE AND INFORMATION PROVIDED BY THE CONTRACTOR.

KARTAVYA S. PATEL, P.E. NO. 97534

NO.	DATE	DESCRIPTION	BY
1	12/03/2019	AS-BUILT RECORD DRAWINGS	KP



12/03/2019

RECORD DRAWING

PAVING DETAILS			
KIDDIE ACADEMY			
NEC OF N. LAKESHORE DRIVE & E. FORK ROAD			
CITY OF ROCKWALL			
ROCKWALL COUNTY, TEXAS			
T: 214.609.9271 F: 469.359.6709 E: kpatel@triangle-engr.com W: triangle-engr.com O: 1784 W. McDermott Drive, Suite 110, Allen, TX 75013			
Planning Civil Engineering Construction Management		DESIGN/DRAWN	
KP	DS	DATE	SCALE
		08/23/16	SEE SCALE BAR
		PROJECT NO.	SHEET NO.
		028-16	7.1
TX PE FIRM #11525			