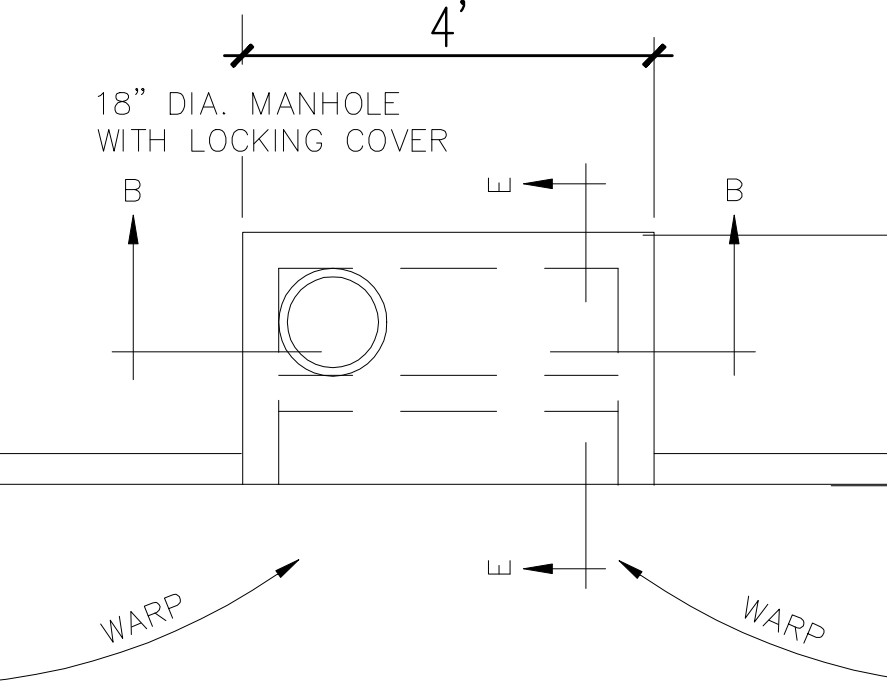
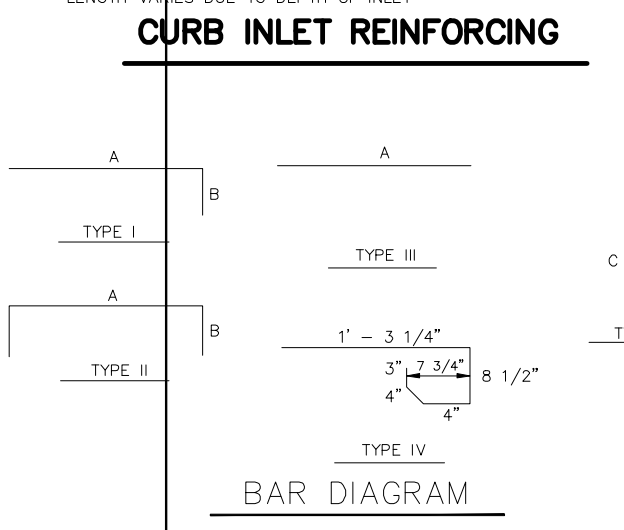


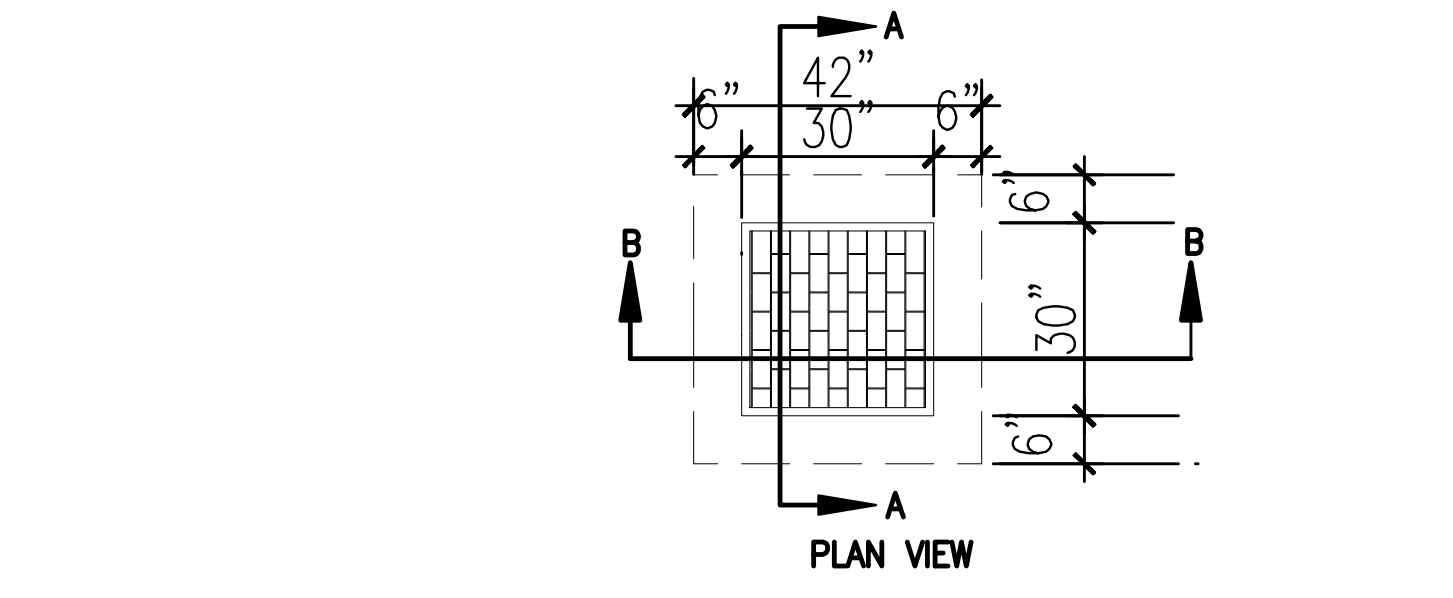
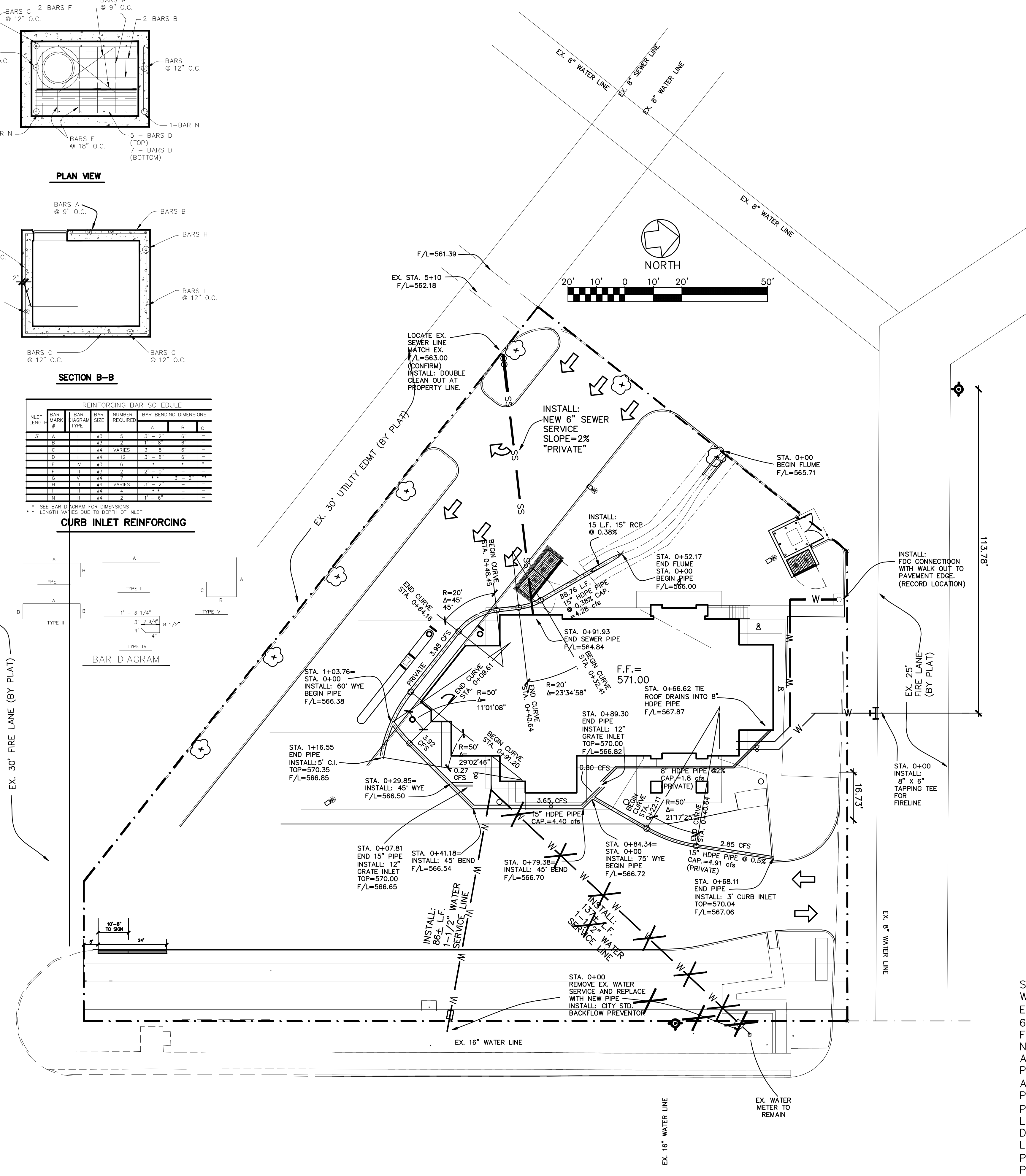
12" ONE GRATE INLET DETAILS
SCALE: N.T.S.



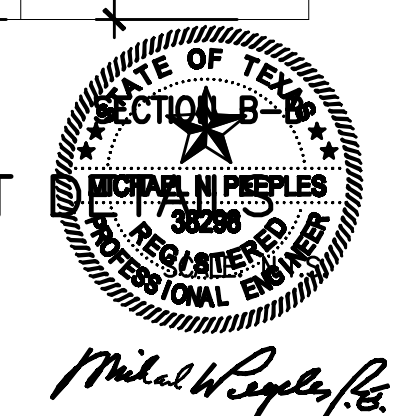
REINFORCING BAR SCHEDULE						
INLET LENGTH	BAR MARK	BAR TYPE	NUMBER REQUIRED	BAR BENDING DIMENSIONS		
Y	Z			A	B	C
1	1	1	3	3"	2"	0"
1	2	1	3	3"	2"	0"
1	3	1	3	3"	2"	0"
1	4	1	3	3"	2"	0"
1	5	1	3	3"	2"	0"
1	6	1	3	3"	2"	0"
1	7	1	3	3"	2"	0"
1	8	1	3	3"	2"	0"
1	9	1	3	3"	2"	0"
1	10	1	3	3"	2"	0"
1	11	1	3	3"	2"	0"
1	12	1	3	3"	2"	0"
1	13	1	3	3"	2"	0"
1	14	1	3	3"	2"	0"
1	15	1	3	3"	2"	0"
1	16	1	3	3"	2"	0"
1	17	1	3	3"	2"	0"
1	18	1	3	3"	2"	0"
1	19	1	3	3"	2"	0"
1	20	1	3	3"	2"	0"
1	21	1	3	3"	2"	0"
1	22	1	3	3"	2"	0"
1	23	1	3	3"	2"	0"
1	24	1	3	3"	2"	0"
1	25	1	3	3"	2"	0"
1	26	1	3	3"	2"	0"
1	27	1	3	3"	2"	0"
1	28	1	3	3"	2"	0"
1	29	1	3	3"	2"	0"
1	30	1	3	3"	2"	0"
1	31	1	3	3"	2"	0"
1	32	1	3	3"	2"	0"
1	33	1	3	3"	2"	0"
1	34	1	3	3"	2"	0"
1	35	1	3	3"	2"	0"
1	36	1	3	3"	2"	0"
1	37	1	3	3"	2"	0"
1	38	1	3	3"	2"	0"
1	39	1	3	3"	2"	0"
1	40	1	3	3"	2"	0"
1	41	1	3	3"	2"	0"
1	42	1	3	3"	2"	0"
1	43	1	3	3"	2"	0"
1	44	1	3	3"	2"	0"
1	45	1	3	3"	2"	0"
1	46	1	3	3"	2"	0"
1	47	1	3	3"	2"	0"
1	48	1	3	3"	2"	0"
1	49	1	3	3"	2"	0"
1	50	1	3	3"	2"	0"



NOTE: CONTRACTOR MUST SUBMIT SHOP DRAWINGS TO THE ENGINEER OF RECORD. PRECAST INLETS MAY BE USED WITH APPROVED SHOP DRAWINGS.



30" ONE GRATE INLET



SAWCUT AND REPLACE EX. PAVNG WHERE PAVEMENT IS CUT. ENGINEERING WILL INSPECT THE 8" X 6" TEE. FIRE WILL INSPECT THE FIRE LINE INSTALLATION. NOTE: ALL ON-SITE STORM SEWER IS PRIVATE AND WILL BE MAINTAINED AND/OR REPAIRED BY THE PROPERTY OWNER. PRIOR TO ANY WORK LOCATE EX. SEWER STUB OUT AND DETERMINE EX. FLOW LINE. IF FLOW LINE(S) AS SHOWN ON THE UTILITY PLAN (ELEV. 563.00) OR LOWER PROCEED WITH CONSTRUCTION, IF HIGHER NOTIFY THE ENGINEER.

DATE	REFLECTS CITY COMMENTS THROUGH 12-11-12	MNP
NO.	REVISION	BY
RECORD DRAWINGS 12-19-13		
UTILITY PLAN		
INWOOD NATIONAL BANK		
CITY OF ROCKWALL, TEXAS		
M.P. MICHAEL PEEPLES 1930 E. Rosemeade Suite 205 Engineers and Planners Carrollton, Texas 75007 Firm Number: F-3754 (214) 731-9948		
DATE PLOTTED: 12/23/2013	DRAWN BY: MNP	CE-4
DRAWING NO.	SCALE: AS SHOWN	