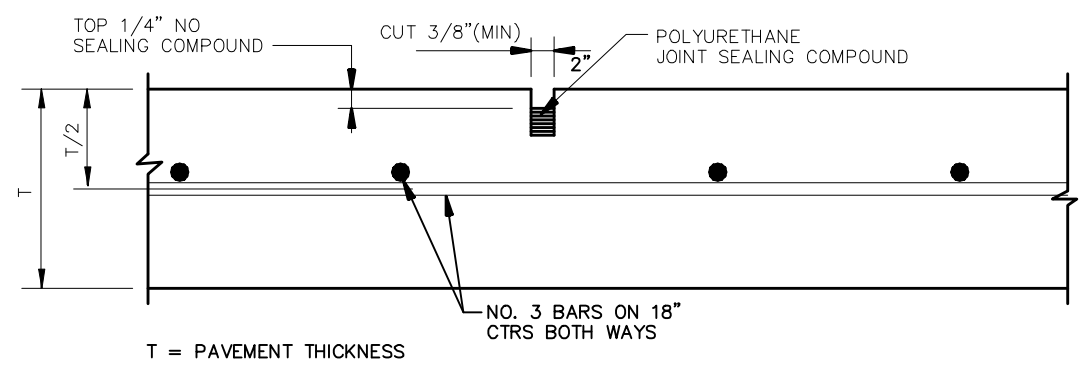
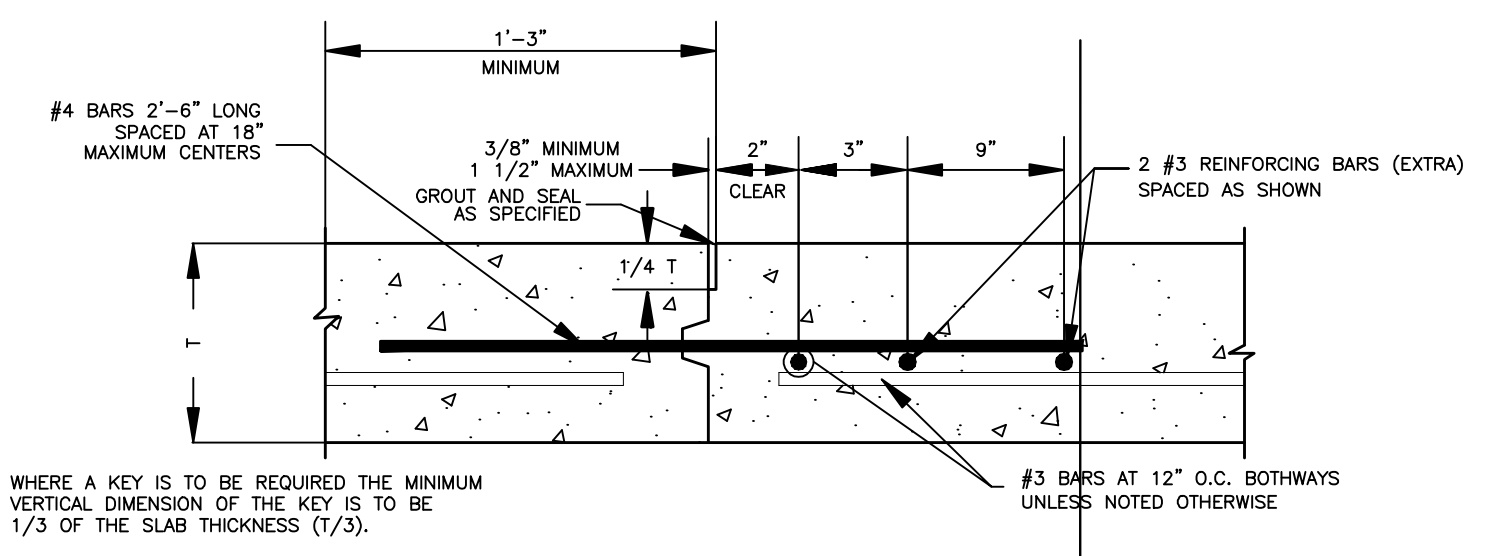


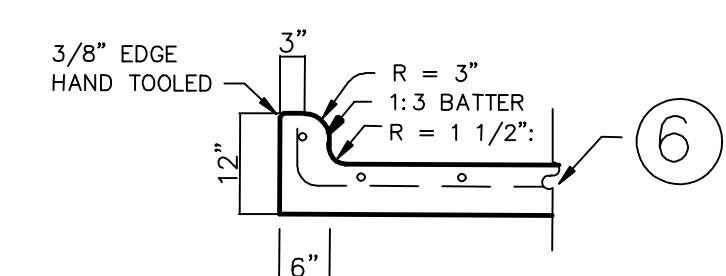
- GENERAL NOTES:**
1. ALL #4 X 2'-6" BARS ARE TO BE SET IN DRILLED HOLES USING EPOXY GROUT IN THE MANUFACTURER'S RECOMMEND QUANTITIES.
 2. ALL REINFORCING BARS SHALL HAVE WIRE TIES AT EVERY INTERSECTION (100% TIE).
 3. WHERE NEW CONCRETE IS TO BE POURED AGAINST OLD CONCRETE, THE OLD CONCRETE SHALL HAVE A COAT OF EPOXY BONDING AGENT APPLIED AT THE MANUFACTURER'S SPECIFIED RATES.



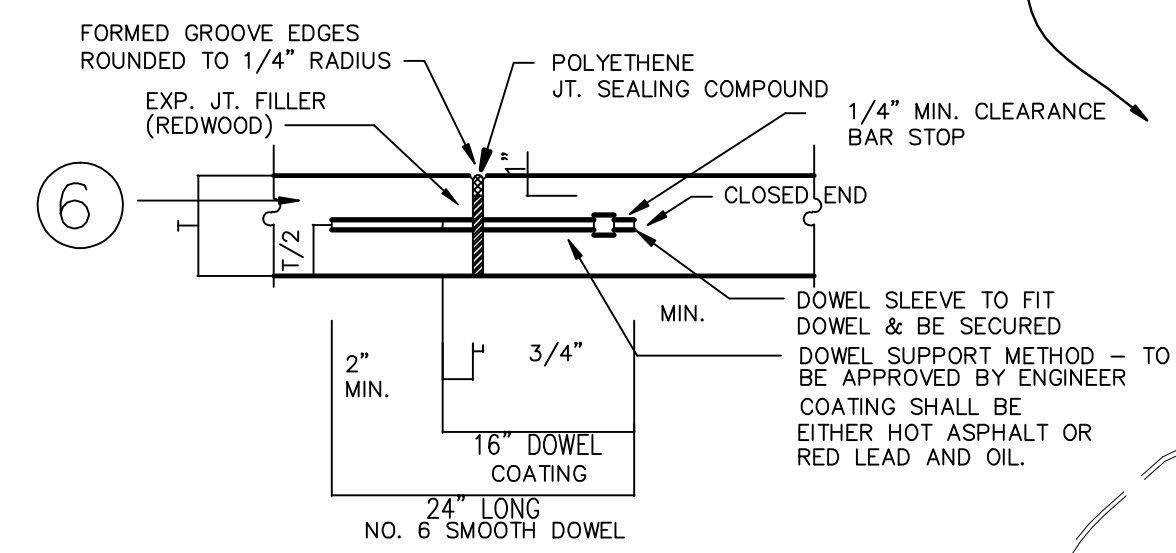
1 SAWED DUMMY JOINT DETAIL (CONTRACTION JOINT) N.T.S.



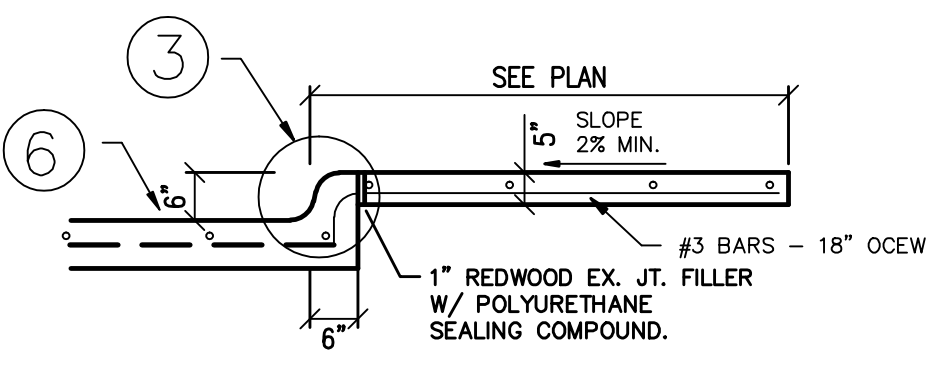
2 CONSTRUCTION JOINT N.T.S.



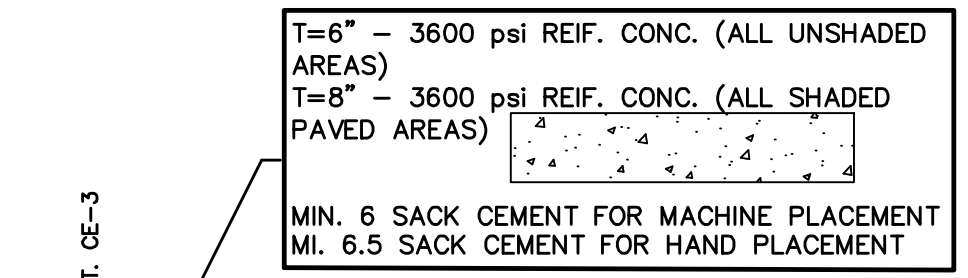
3 INTEGRAL CURB & GUTTER DETAILS



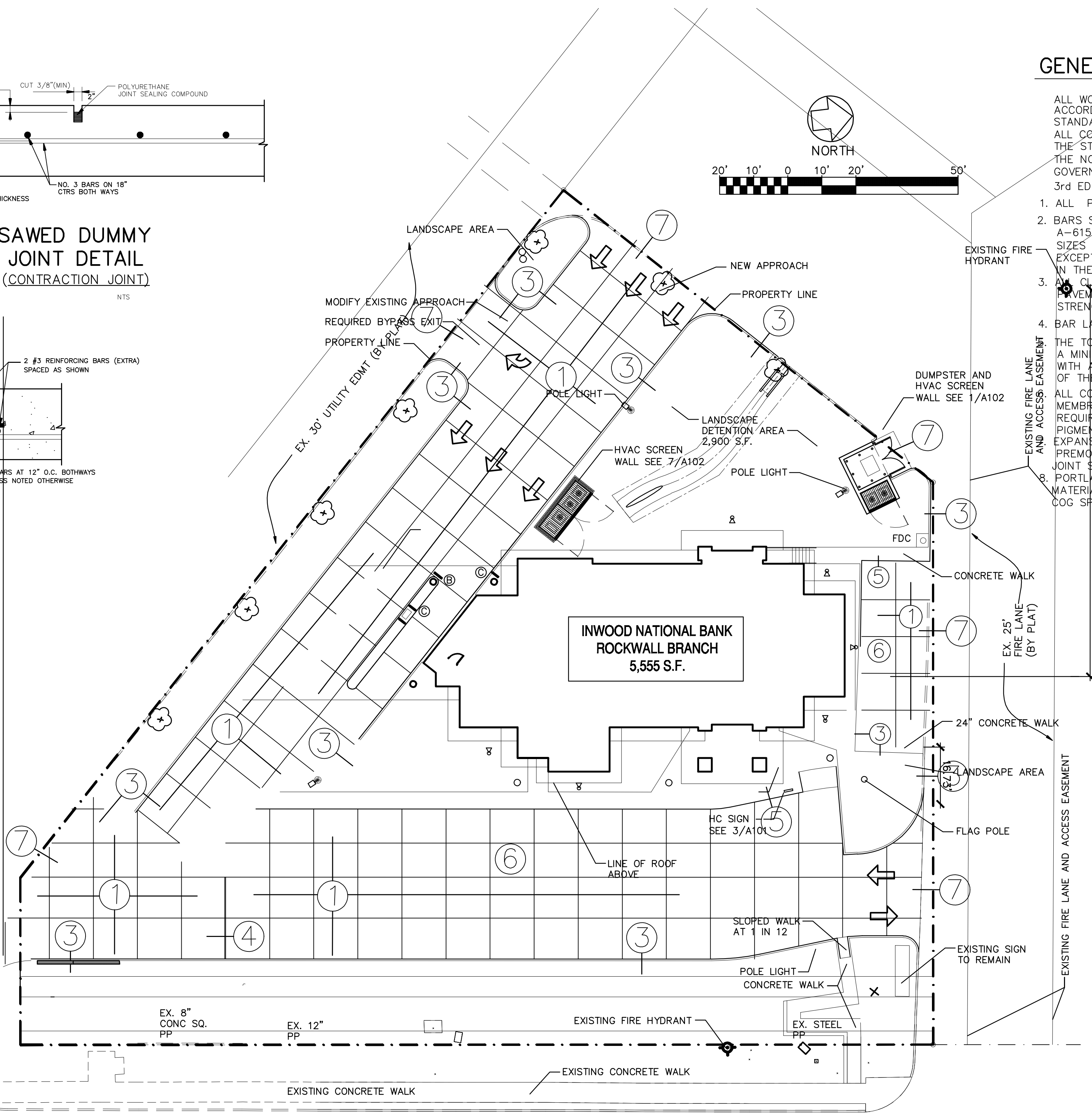
4 TRANSVERSE EXPANSION JOINT DETAIL



5 SIDEWALK DETAIL

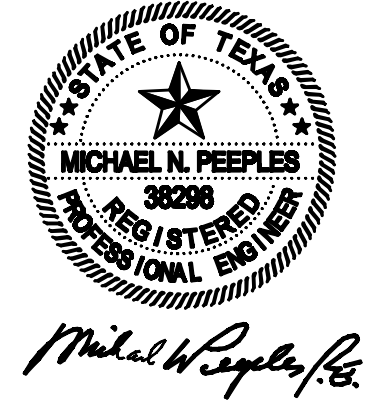
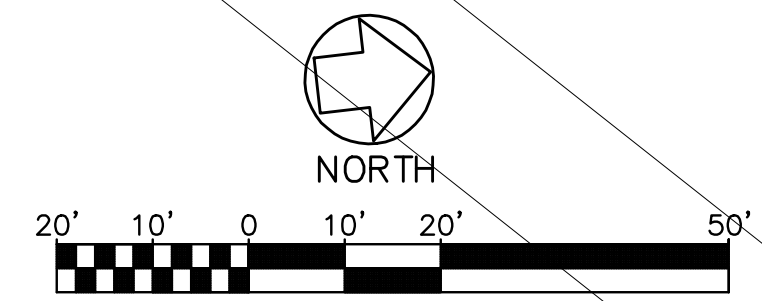


6 CONCRETE PAVEMENT DESIGN



GENERAL NOTES:

- ALL WORK AND MATERIALS SHALL BE IN ACCORDANCE WITH CITY OF ROCKWALL STANDARDS AND SPECIFICATIONS. ALL CONSTRUCTION SHALL CONFORM TO THE STANDARDS AND SPECIFICATIONS OF THE NORTH CENTRAL TEXAS COUNCIL OF GOVERNMENT (COG) IF NOT COVERED BY THE 3rd EDITION OF ROCKWALL PLANS & SPECIFICATIONS.
1. ALL PAVING TO BE 3600 PSI CONCRETE.
 2. BARS SHALL CONFORM TO A.S.T.M. DESIGNATION A-615 WITH A MAXIMUM SPACING OF 18" OCEW SIZES AND SPACING SHALL BE INDICATED HEREIN EXCEPT SUCH ALTERNATES THAT MAY BE ALLOWED IN THE SPECIFICATIONS.
 3. CURB AND GUTTER SHALL BE INTEGRAL WITH PAVEMENT AND SHALL BE THE SAME COMPRESSIVE STRENGTH AS PAVEMENT.
 4. BAR LAPS SHALL BE 30 DIAMETERS.
 5. THE TOP 6" OF SUBGRADE SHALL BE COMPACTED TO A MINIMUM OF 97% OF DRY DENSITY IN ACCORDANCE WITH ASTM D-698 WITHIN THREE PERCENTAGE POINTS OF THE MATERIALS OPTIMUM MOISTURE CONTENT.
 6. ALL CONCRETE SHALL BE CURED BY THE USE OF MEMBRANE CURING COMPOUND CONFORMING TO THE REQUIREMENTS OF ASTM C-309 FOR TYPE II, WHITE PIGMENTED.
 7. EXPANSION JOINT MATERIAL SHALL BE REDWOOD OR PREMOULDED ASPHALT AS SHOWN DRAWINGS AND JOINT SEALER SHALL BE POLYURETHANE.
 8. PORTLAND CEMENT CONCRETE AND RELATED WATERINGS SHALL CONFORM TO ITEM 2.2 OF THE COG SPECIFICATIONS UNLESS OTHERWISE NOTED.
 9. PORTLAND CEMENT CONCRETE CONSTRUCTION SHALL CONFORM TO COG SPECIFICATIONS UNLESS OTHERWISE NOTED.
 10. DUST CONTROL: DURING CONSTRUCTION CONTRACTOR SHALL MAINTAIN SITE IN SUCH A MANNER THAT DUST SHALL BE PREVENTED FROM BLOWING ONTO ADJACENT PROPERTIES.
 11. EROSION CONTROL: DURING CONSTRUCTION, CONTRACTOR SHALL MAINTAIN SITE IN SUCH A MANNER THAT EROSION DOES NOT OCCUR CAUSING SILT TO FLOW ONTO ADJACENT PROPERTIES. CONTRACTOR SHALL SUBMIT IN WRITING PROPOSED EROSION CONTROL MEASURES.
 12. STORM WATERS: THE CONTRACTOR SHALL BE RESPONSIBLE FOR THE PREVENTION OF STORM WATER FLOWING FROM THE SITE DURING CONSTRUCTION BEING DIVERTED ONTO THE ADJACENT PROPERTIES IN A CONCENTRATED MANNER. IF IT IS NECESSARY DURING CONSTRUCTION TO INTERRUPT THE NATURAL DRAINAGE OF THE SURFACE, OR THE FLOW OF ARTIFICIAL DRAINS, THE CONTRACTOR SHALL PROVIDE TEMPORARY DRAINAGE FACILITIES THAT SHALL PREVENT DAMAGE TO PUBLIC OR PRIVATE FACILITIES; AND SHALL RESTORE THE ORIGINAL DRAINS AS SOON AS THE WORK IS COMPLETED.
 13. ALL DISTURBED AREAS SHALL BE HYDROMULCHED AND MAINTAINED UNTIL 80% GROWTH UNLESS OTHERWISE INDICATED ON THE PLANS.
 14. ALL AVAILABLE DATA WAS USED TO LOCATE EXISTING UTILITIES AS SHOWN ON THESE PLANS. HOWEVER, THE CONTRACTOR SHALL VERIFY THE LOCATION, DEPTH ALIGNMENT, AND SIZE OF ALL UTILITIES PRIOR TO THE START OF CONSTRUCTION.
 15. POND'S SIDES AND BOTTOM MUST BE CURLED PRIOR TO ANY CONCRETE PAVING TO BE INSTALLED AS WELL AS THE OUTFALL BEING INSTALLED AND COMPLETED.



NO.	DATE	REVISION	DATE	REFLECTS CITY COMMENTS THROUGH 12-11-12	MNP
					BY

RECORD DRAWINGS 12-19-13

PAVING PLAN & DETAILS

INWOOD NATIONAL BANK
CITY OF ROCKWALL, TEXAS

M.P. MICHAEL PEEPLES 1930 E. Rosemeade Suite 205
Engineers and Planners Carrollton, Texas 75007
Firm Number: F-3754 (214) 731-9948

NOTE: INSTALL A LONGITUDINAL BUTT JOINT ADJACENT TO ALL EXISTING PAVEMENTS. SAWCUT EX. PAVEMENT A MIN. OF 2' ADJACENT TO NEW PAVING.

PRIOR TO ANY WORK LOCATE EX. SEWER STUB OUT AND DETERMINE EX. FLOW LINE. IF FLOW LINE IS AS SHOWN ON THE UTILITY PLAN (ELEV. 563.00) OR LOWER PROCEED WITH CONSTRUCTION, IF HIGHER NOTIFY THE ENGINEER.

DATE PLOTTED: 12/23/2013	DRAWN BY: MNP	CE-3
DRAWING NO.	SCALE: AS SHOWN	