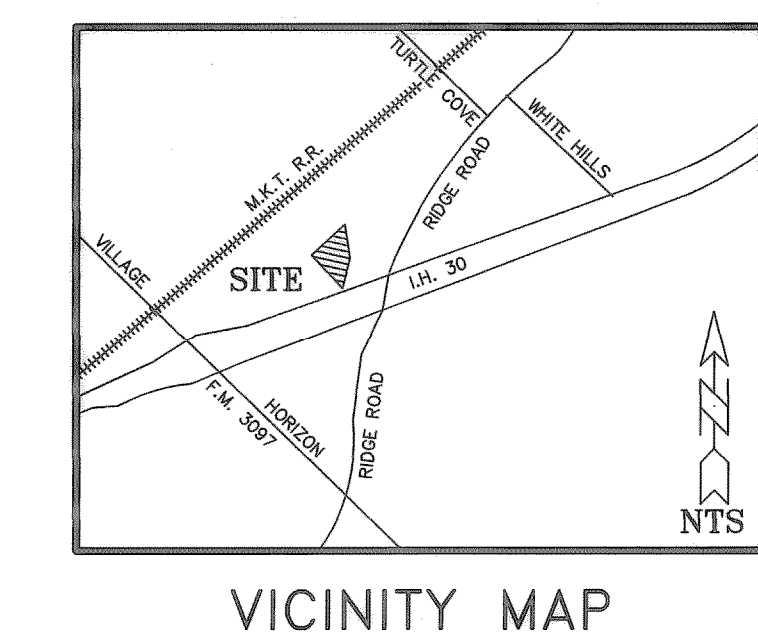
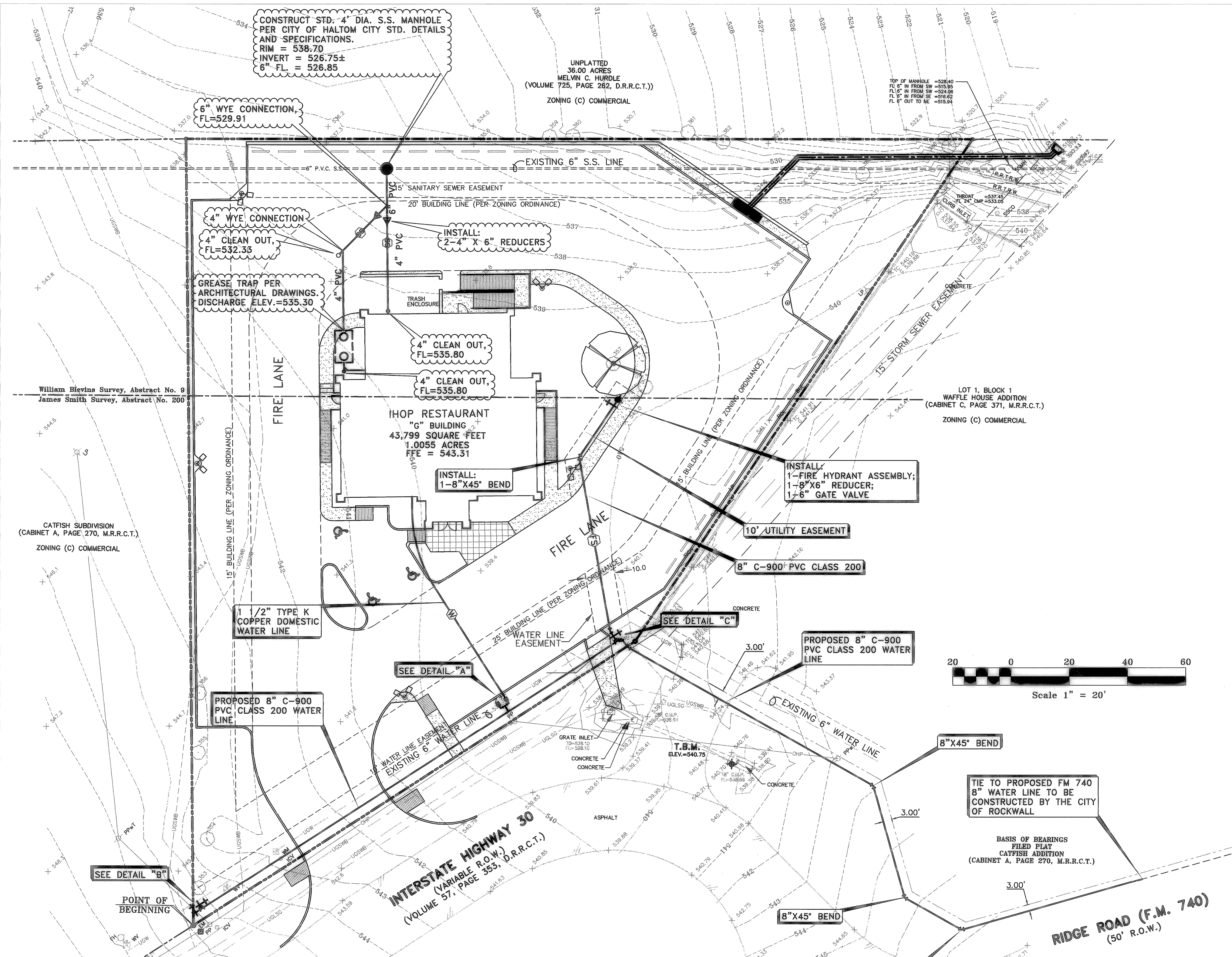


E:\800162\800162UP.dwg Mon Dec 06 18:34:44 1999 bms



**LEGEND**

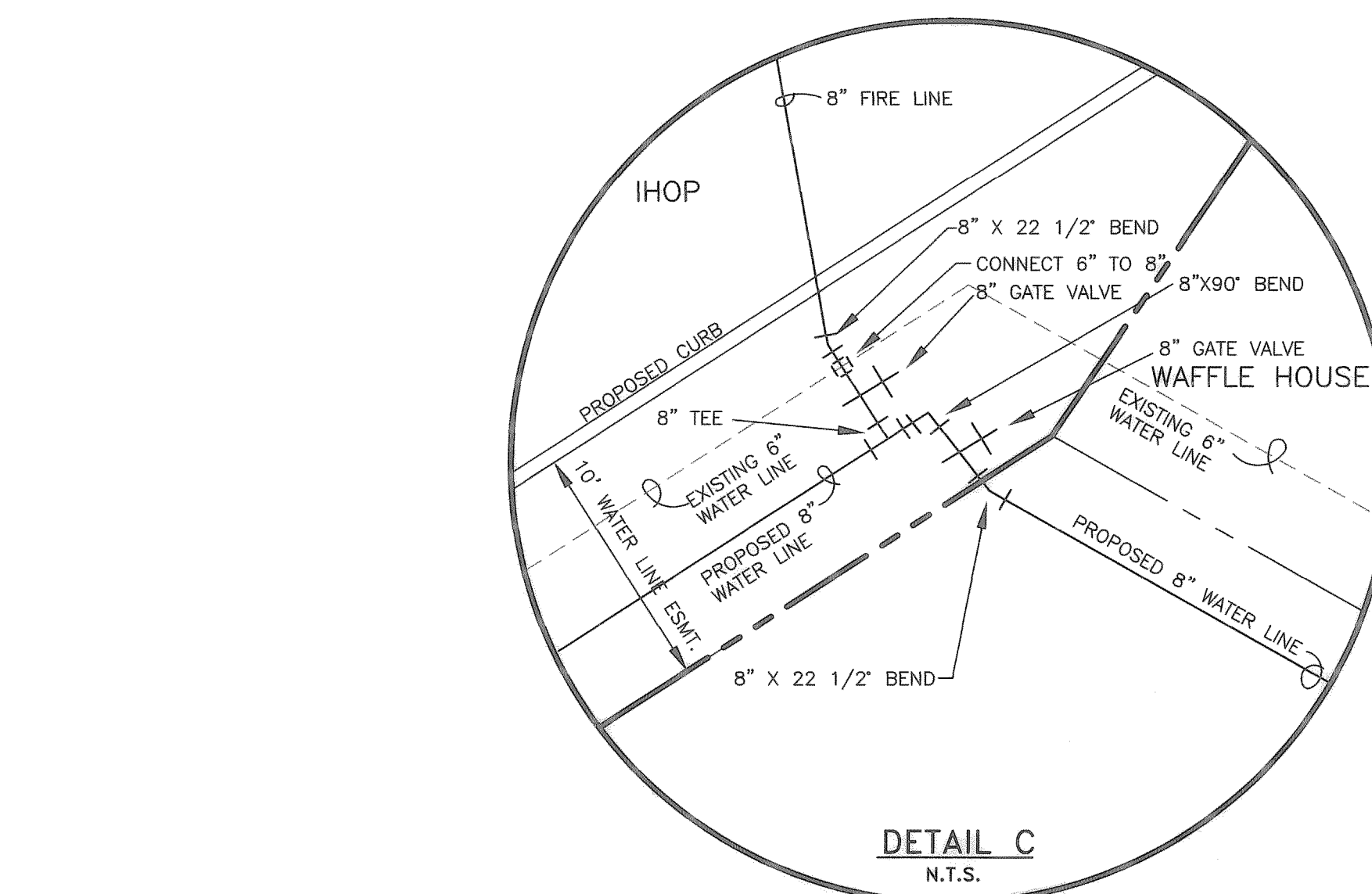
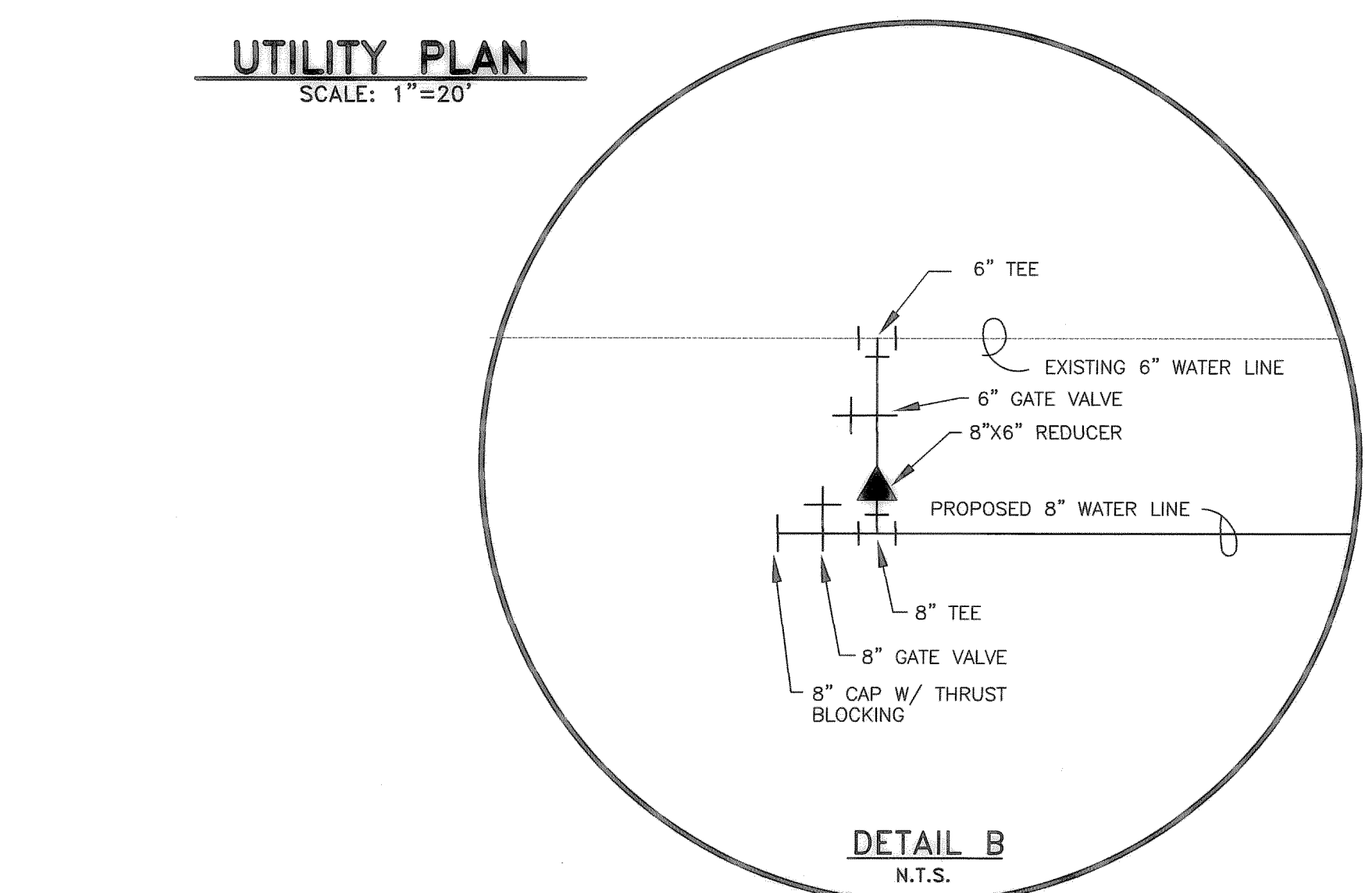
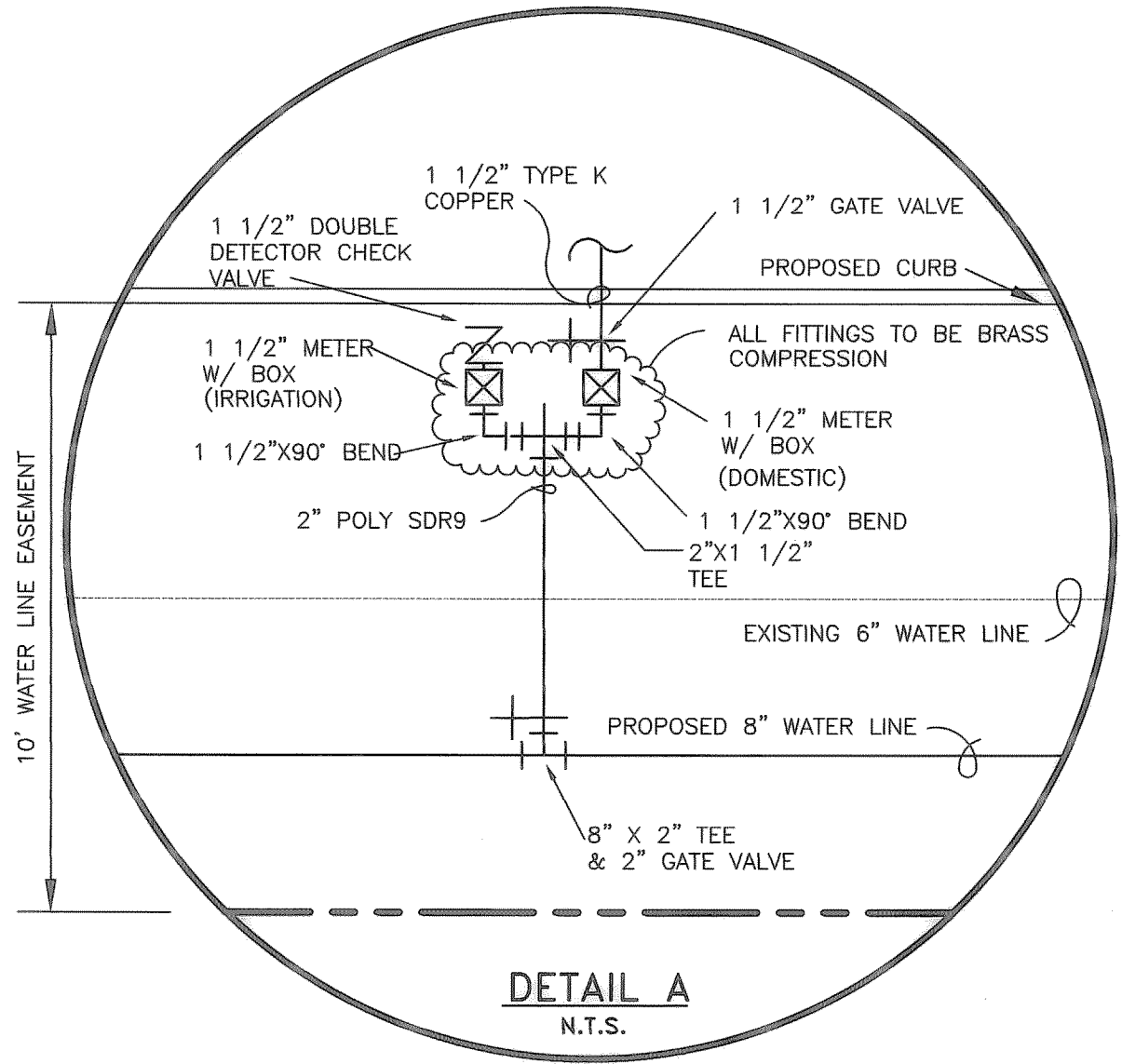
- PROPOSED CURB
- EXISTING CURB
- PROPERTY LINE
- SETBACK LINE
- EDGE OF EXISTING PAVEMENT
- 500 - EXISTING CONTOURS
- 500 - PROPOSED CONTOURS
- 515.00 SPOT ELEVATION AT FINISHED GRADE
- 514.00 INDICATES TOP OF STRUCTURE
- 513.50 INDICATES FLOW LINE ELEVATION
- PROPOSED WATER LINE
- PROPOSED SANITARY SEWER LINE
- BURIED ELECTRICAL SERVICE FROM NEAREST EXISTING UTILITY POLE
- TELEPHONE SERVICE FROM NEAREST TELEPHONE POLE RUN UNDERGROUND IN CONDUIT
- INDICATES CONSTRUCTION JOINT
- INDICATES EXPANSION JOINT
- CONCRETE CURB
- WEATHERPROOF ELECTRICAL OUTLET
- AREA LIGHT LOCATION (SEE ELECTRICAL SHEET FOR DETAILS)
- HP HIGH POINT
- PP EXISTING POWER POLE
- OHP EXISTING OVERHEAD POWER LINE
- SAN EXISTING SANITARY SEWER
- SSMH EXISTING SANITARY SEWER MANHOLE
- SDMH EXISTING STORM DRAIN MANHOLE
- W EXISTING WATER LINE
- INDICATES PROPOSED CONCRETE AREA
- DRAINAGE AREA BOUNDARY
- SOIL BORING LOCATION
- EROSION CONTROL SILT FENCE

**AS-BUILT**  
DECEMBER 6, 1997/1999

NOTE: THE INTENT OF THE OWNER AND ENGINEER WAS TO CONSTRUCT THE UTILITIES ACCORDING TO THE PLANS AS APPROVED BY THE CITY OF CARROLLTON. THE ALIGNMENT AND GRADES WERE SET ON THE GROUND FOR CONSTRUCTION ACCORDING TO SAID PLANS. THE CITY OF CARROLLTON INSPECTED THE CONSTRUCTION. THE OWNER OR ENGINEER DID NOT VERIFY ALIGNMENT OR GRADES AFTER CONSTRUCTION. WE ARE NOT AWARE OF ANY CHANGES OR REVISIONS TO THESE PLANS DURING CONSTRUCTION EXCEPT AS NOTED.

**WATER & WASTEWATER NOTES:**

- ALL WATER AND SANITARY SEWER MAIN CONSTRUCTION WITHIN PUBLIC RIGHT-OF-WAY OR EASEMENT SHALL CONFORM TO THE REQUIREMENTS OF THE TEXAS NATURAL RESOURCES CONSERVATION COMMISSION (TNCC) GUIDELINES FOR CONSTRUCTION OF PUBLIC WATER AND SEWER SYSTEMS. WATER AND SANITARY SERVICES SHALL BE TESTED IN ACCORDANCE WITH THE CITY OF ROCKWALL STANDARDS AND SPECIFICATIONS.
- CONSTRUCTION SHALL BE IN ACCORDANCE WITH THE STANDARD SPECIFICATIONS OF THE CITY OF ROCKWALL.
- CONTRACTOR SHALL MAINTAIN EXISTING SANITARY SEWER AND WATER SERVICE AT ALL TIMES DURING CONSTRUCTION.
- ALL WATER AND SEWER CONSTRUCTION SHALL CONFORM TO THE REQUIREMENTS OF THE CITY OF ROCKWALL STANDARDS AND DETAILS. CONTRACTOR SHALL MAINTAIN A COPY OF THE REFERENCE DOCUMENTS AT THE JOBSITE.
- THE CONTRACTOR SHALL PROVIDE "AS-BUILT" PLANS TO THE OWNER SO THAT THE REPRODUCIBLES OF THE PLANS MAY BE CORRECTED TO REFLECT "AS-BUILT" CONDITIONS.
- ALL WATER MAINS AND SERVICE CONNECTIONS CONSTRUCTED WITHIN PUBLIC RIGHT-OF-WAY SHALL BE PRESSURE TESTED IN ACCORDANCE WITH THE CITY OF ROCKWALL REQUIREMENTS. THE CONTRACTOR SHALL FLUSH AND STERILIZE ALL WATER MAINS. THE CITY WILL TAKE WATER SAMPLES AND HAVE LABORATORY TESTS PERFORMED TO PROVE THE WATER MAINS TO BE FREE OF BACTERIA/MICRO-ORGANISMS. CONTRACTOR IS RESPONSIBLE FOR ANY FEES OR COST RELATED TO TESTING OF WATER OR SEWER MAINS.
- THE CONTRACTOR SHALL BE REQUIRED TO MAINTAIN ALL NECESSARY WARNING AND SAFETY DEVICES (FLASHING LIGHTS, BARRICADES, SIGNS, ETC.) TO PROTECT THE PUBLIC SAFETY AND HEALTH UNTIL ALL WORK HAS BEEN COMPLETED AND ACCEPTED BY THE CITY.
- THE LOCATION OF EXISTING UTILITIES SHOWN ON THESE PLANS ARE APPROXIMATE. IT IS THE RESPONSIBILITY OF THE CONTRACTOR TO LOCATE AND VERIFY IN THE FIELD ANY UTILITIES THAT MAY CONFLICT WITH HIS CONSTRUCTION. CONTRACTOR IS RESPONSIBLE FOR ANY RELOCATION OR ADJUSTMENT COST ASSOCIATED WITH HIS WORK. AT LEAST 48 HOURS PRIOR TO BEGINNING CONSTRUCTION IN THE VICINITY OF EXISTING UNDERGROUND UTILITIES, THE CONTRACTOR SHALL NOTIFY UTILITY COMPANIES TO LOCATE ALL UNDERGROUND UTILITIES.
- ALL SANITARY SEWER PIPES SHALL CONFORM TO ASTM D3034 SDR 35 AND SHALL BE AIR TESTED IN ACCORDANCE WITH THE CITY REQUIREMENTS.
- ALL DIMENSIONS SHOWN ARE TO CENTERLINE OF PIPE AND RIGHT-OF-WAY OR PROPERTY LINE, UNLESS NOTED OTHERWISE.
- WATER SERVICES SHALL BE 2" POLY-SDR9, LOCATED AS INDICATED ON THE PLANS. METER BOXES SHALL MEET CITY OF PLANO SPECIFICATIONS. SEE ROCKWALL STANDARD CONSTRUCTION SPECIFICATIONS & DETAILS.
- 8" WATER MAIN SHALL BE C-900 PVC, CLASS 200 PIPE.
- GATE VALVES SHALL BE OF A TYPE APPROVED BY THE CITY OF ROCKWALL.
- AT TIME OF PLACEMENT ALL WATER MAINS SHALL BE SWABBED WITH KNAPP POLLY PIG BARE SWAB OR APPROVED EQUAL.
- ALL WATER MAINS SHALL BE PLUGGED WITH A CAST IRON PLUG (OR APPROVED EQUAL) AT THE END OF EACH WORK DAY.
- UNLESS SHOWN OTHERWISE, ALL SANITARY SEWER PIPE SHALL BE PVC D-3040 SDR 35.
- SANITARY SEWER LATERALS SHALL BE AS INDICATED ON THE PLAN.
- EMBEDMENTS SHALL BE AS FOLLOWS:  
D.I. WATER - CLASS "C"  
PVC WATER - CLASS "B-1"  
PVC SEWER - CLASS "H"
- THE CONTRACTOR SHALL PROVIDE A TRENCH SAFETY PLAN AND BE RESPONSIBLE FOR FIELD VERIFYING ALL EXISTING UTILITY LOCATIONS PRIOR TO HIS WORK.
- ALL WATER METERS ARE TO BE LOCATED IN NON-TRAFFIC AREAS.
- CONSTRUCTION SHALL NOT PROCEED ABOVE THE FOUNDATION PRIOR TO COMPLETION OF ALL FIRE LANES AND FIRE HYDRANTS.
- ALL SANITARY SEWER LATERALS OUTSIDE OF EASEMENT SHALL BE INSPECTED BY CITY OF ROCKWALL BUILDING INSPECTOR PRIOR TO BACKFILL.
- ALL SANITARY SEWER LINES, WATER LINES & GAS LINES TO BE ENCASED IN CONCRETE OR APPROVED EQUAL WHEN LINES ARE UNDER PAVEMENT.



**Hickman Consulting Engineers, Inc.**  
1315 E 19th Street, Suite 2A  
Plano, Texas 75074  
(972) 500-0000 (FAX) 579-4567  
E MAIL: HCEI@ATMAIL.NET  
Planners  
Engineers  
Surveyors

**UTILITY PLAN**  
IHOP RESTAURANT - UNIT NO. 9404  
ROCKWALL, TEXAS  
IHOP RESTAURANT  
HWY. 6 @ SWEETWATER  
SUGAR LAND, TEXAS

scale: 1"=20'  
date: MARCH 1999  
dwg by: DIA  
chk'd by: MHH  
job no: 8001-62  
file: 800162UP  
date: 6/30/99(F)  
of submission: 2

STATE OF TEXAS  
MARK H. HICKMAN  
78409  
LICENSED PROFESSIONAL ENGINEER  
12/06/99

revisions:

sheet  
**C-4**