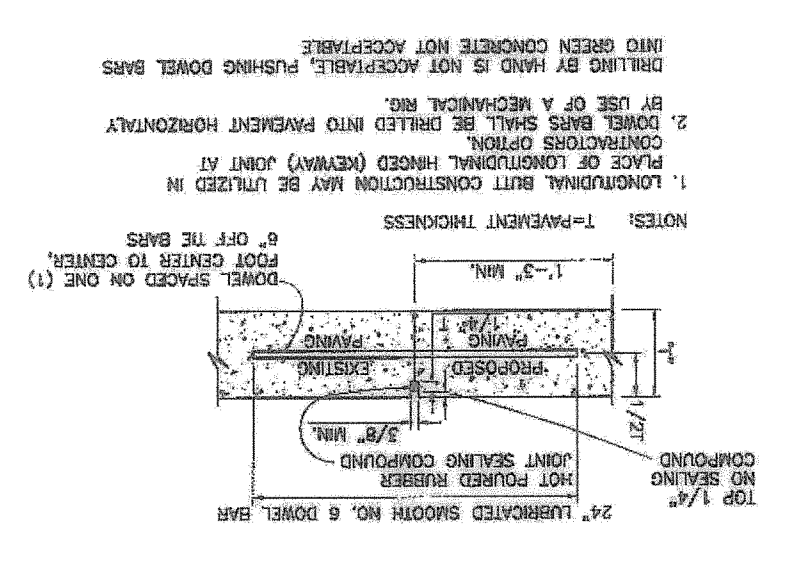
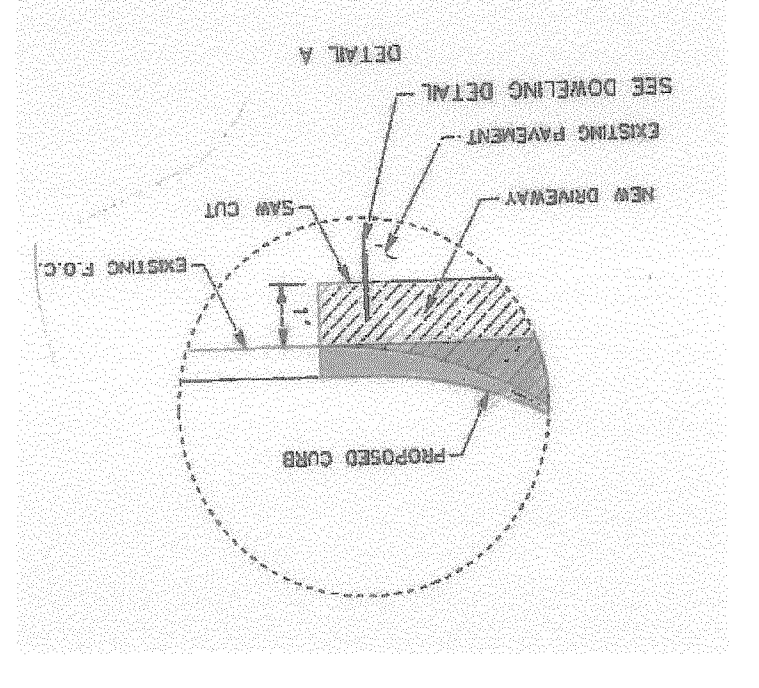
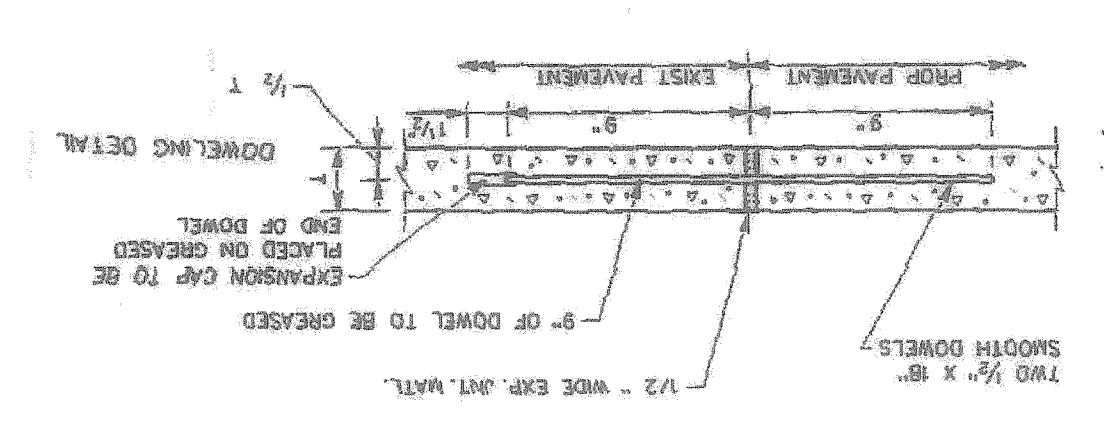


NOTE:  
 ALL TRAFFIC CONTROL NECESSARY FOR THE WORK SHALL BE PROVIDED BY THE AFFECTED CONTRACTOR. ALL BARRICADES, WARNING SIGNS, LIGHTS, DEVICES, ETC. FOR THE GUIDANCE AND PROTECTION OF TRAFFIC AND PEDESTRIANS MUST CONFORM TO THE INSTALLATION SHOWN IN THE LATEST EDITION OF THE TEXAS MANUAL ON UNIFORM DEPARTMENT OF TRANSPORTATION TRAFFIC CONTROL DEVICES, AS CURRENTLY AMENDED, TEXAS

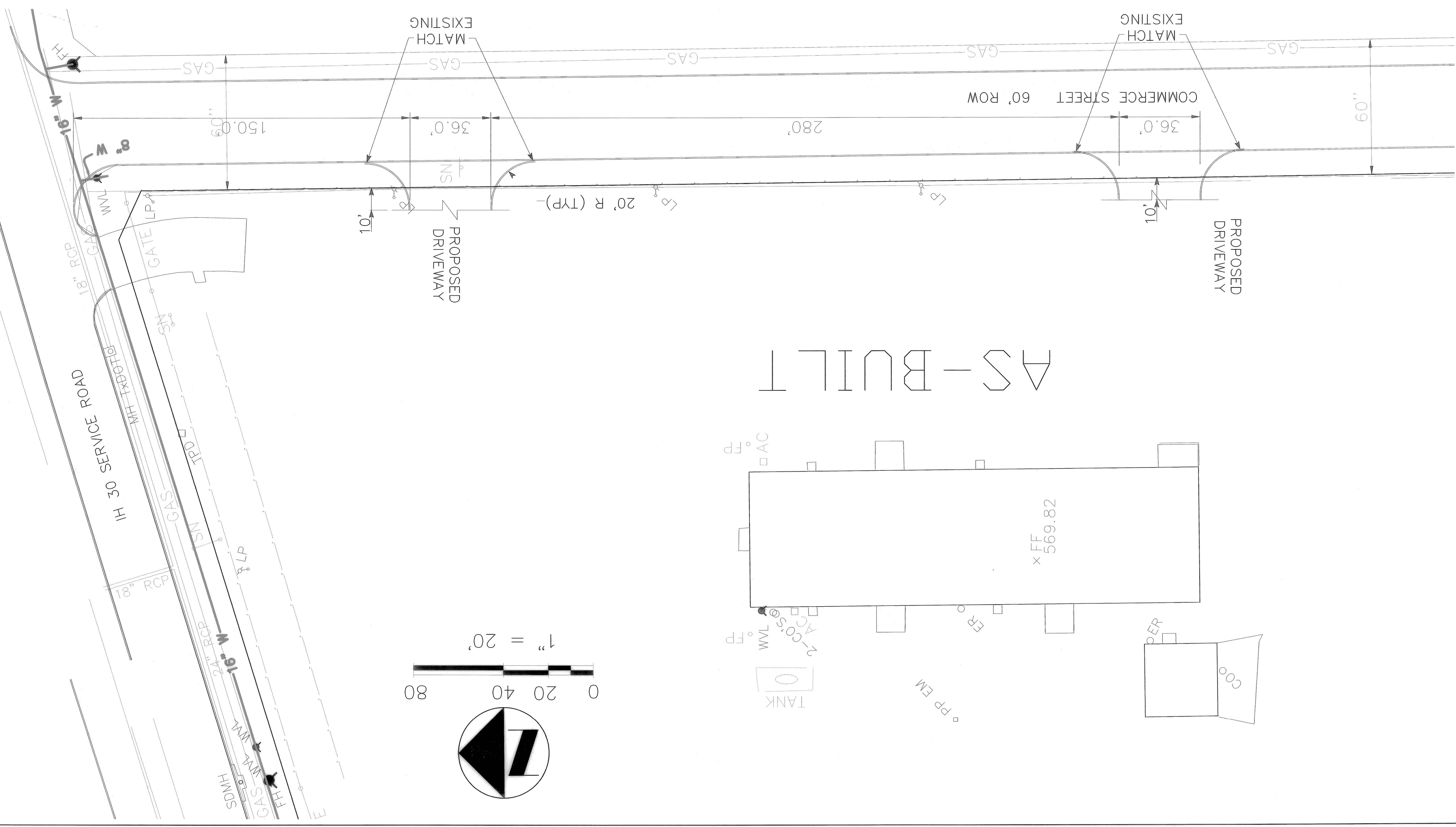
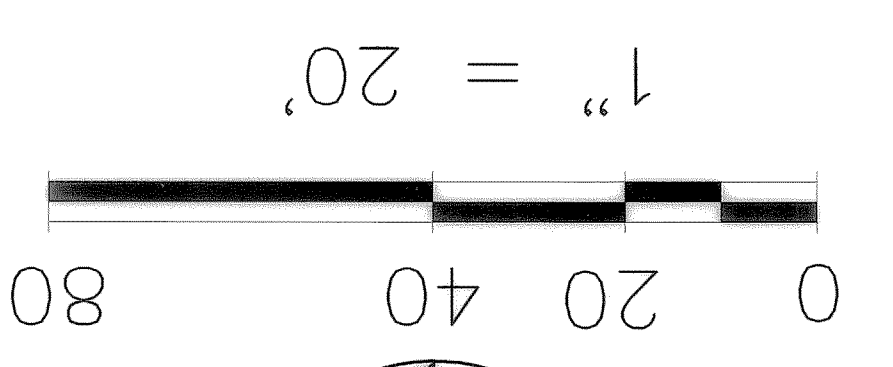
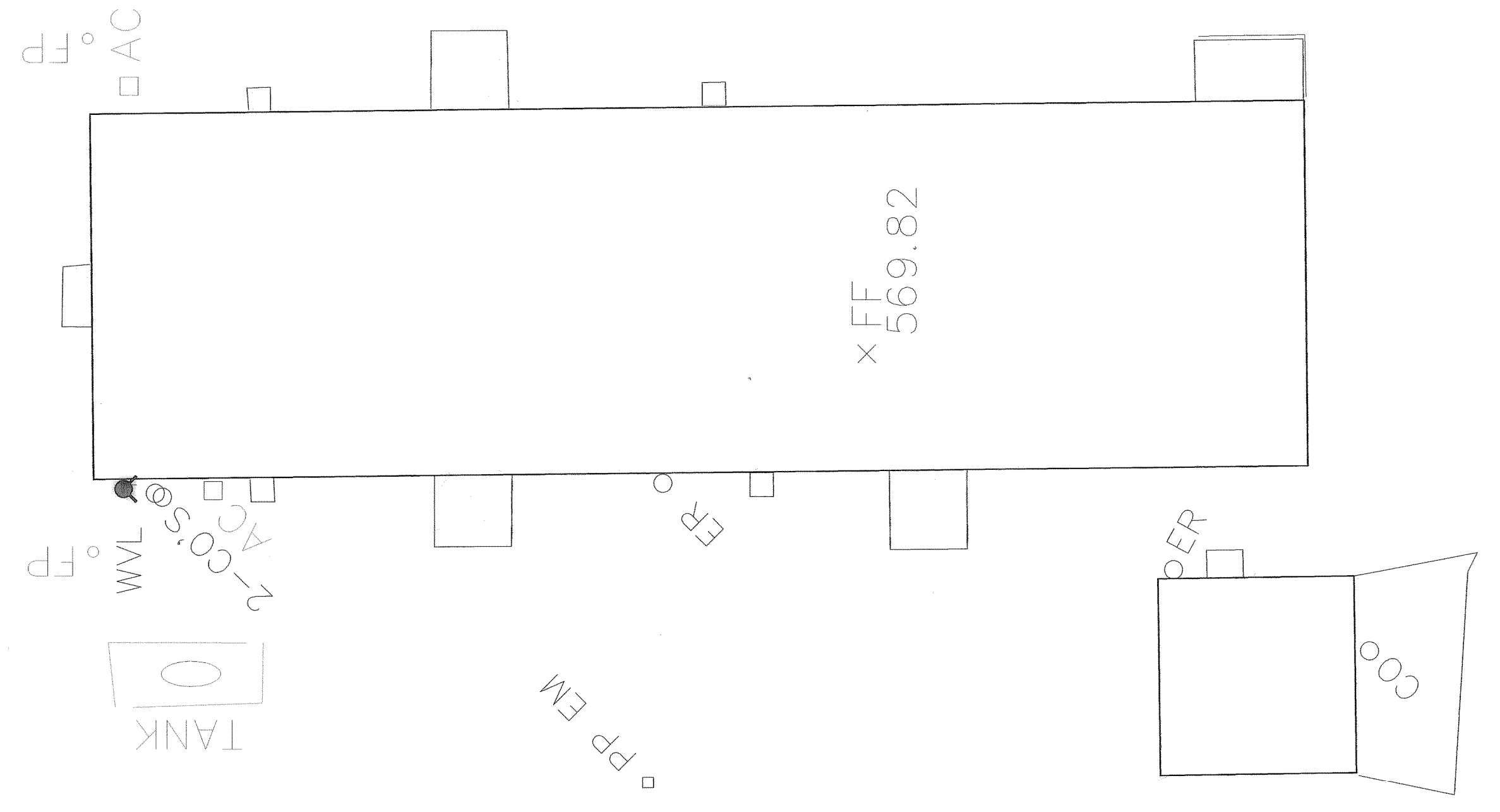
DRIVEWAY PAVEMENT = 6" REINFORCED WITH #3'S @ 18" O.C.E.W (3600 PSI WITH 6.5 SACK/ CYD MIN.)



4-25-13  
 ERIC L. DAVIS  
 ENGINEERING, INC.



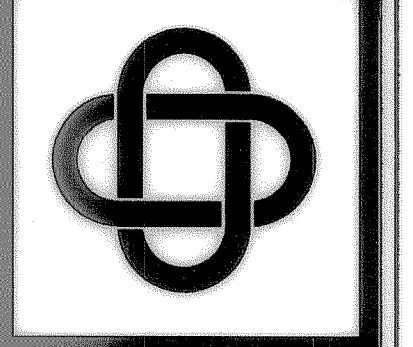
AS-BUILT



SCALE: 1" = 20'
BUILDER: THE MORGAN GROUP
ADDITION:
ADDRESS: IH 30
BLOCK: H
CITY: ROCKWALL, TEXAS
PLAN: PLAN LAYOUT
ELD JOB NO:
DRAWN BY: GT
FIRM REGISTRATION #: 3987

FOUNDATION PLAN  
 ENGINEERED FOR:  
**THE MORGAN GROUP**

ERIC L. DAVIS ENGINEERING, INC.  
 F-3987  
 120 East Main Street  
 Forney, Texas 75126  
 972/564-0592 Fax 972/564-6523  
 E-Mail ericddavis@eldengineering.com



03/12/2013