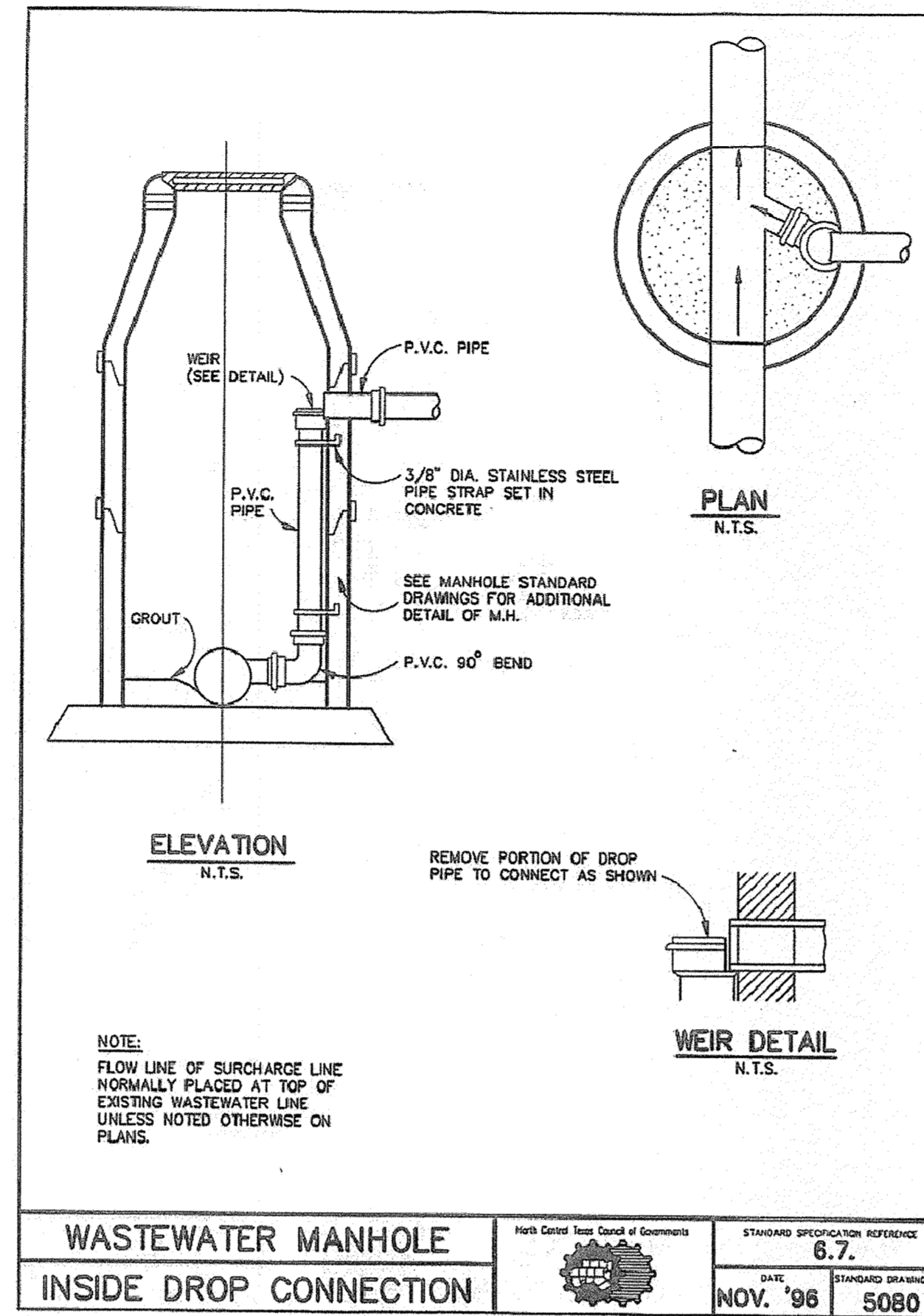
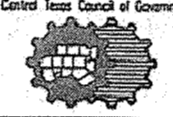
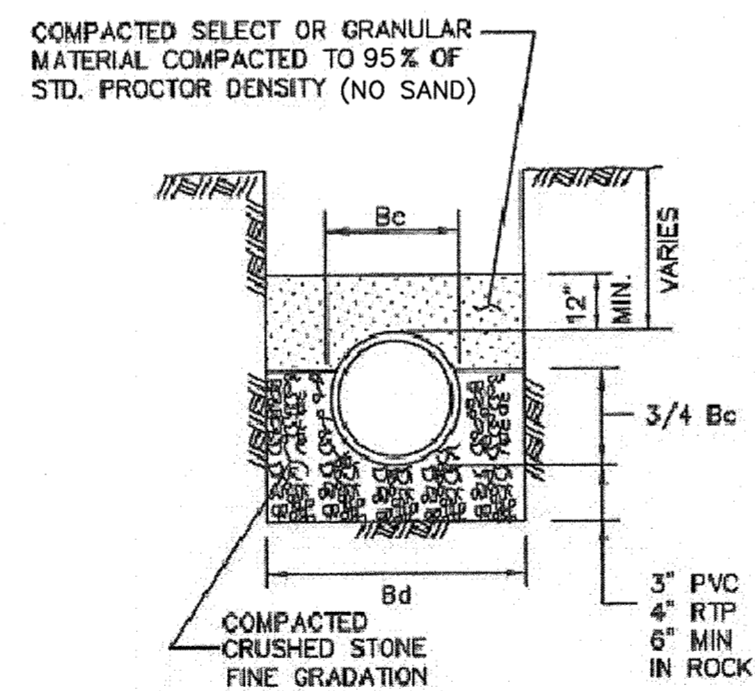
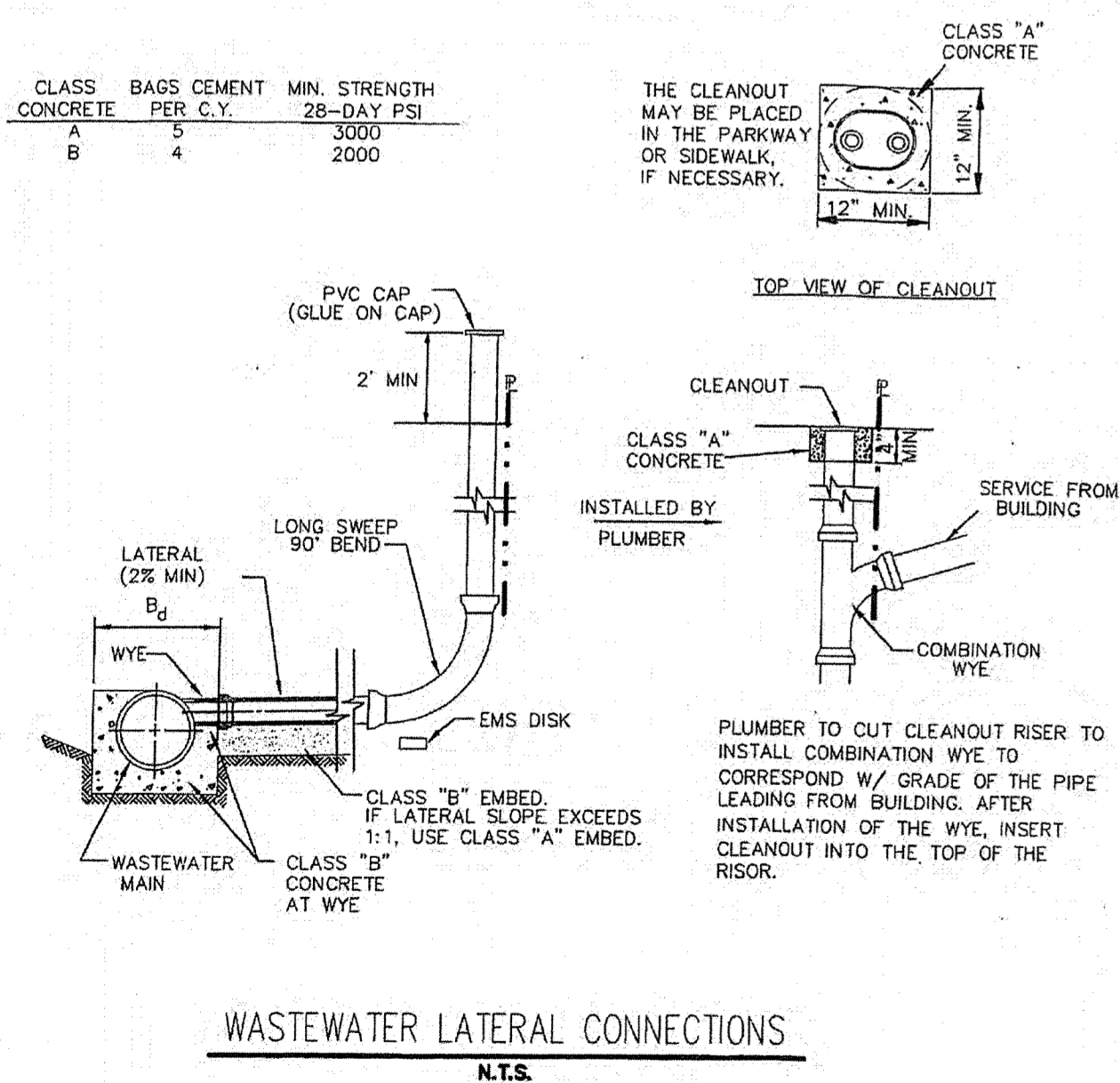


NOTES:

1. THE WORDS "WASTEWATER LATERAL CLEANOUT" SHALL BE CAST INTO TOP OF COVER.
2. MATERIALS TO BE CAST IRON, P.V.C. OR ABS PLASTIC.



WASTEWATER MANHOLE INSIDE DROP CONNECTION		<small>With Civil See Board of Community</small> 	<small>STANDARD SPECIFICATION REFERENCE</small> 6.7
		<small>DATE</small> NOV. '96	<small>STANDARD DRAWING NO.</small> 5080



- NOTES:**
1. Bc = OUTSIDE DIAMETER OF PIPE
 2. Bd = TRENCH WIDTH

SIZE OF PIPE IN INCHES DIA.	KIND OF PIPE	EXTERNAL DIA. (Bc) IN INCHES	TRENCH WIDTH (Bd) IN INCHES
6"	PVC SEWER PIPE	6.28	24
8"	PVC SEWER PIPE	8.16	24
10"	PVC SEWER PIPE	10.2	26

**SANITARY SEWER EMBEDMENT
CLASS "B-2"**

BENCHMARK:
 BM FOUND ON 10' RECESSED CURB INLET IN THE NORTH LINE OF RALPH HALL PARKWAY ADJACENT TO SITE. ELEVATION = 547.25

ENGINEERING CONCEPTS & DESIGN, L.P.
 ENGINEERING / PROJECT MANAGEMENT / CONSTRUCTION SERVICES - FIRM REG. #F-001145
 201 WINDCO CIR, STE 200, WYLIE, TX 75098
 972-941-8400 FAX: 972-941-8401 WWW.ECDLP.COM

REVISIONS:	
DRAWN: TONY	DATE: JANUARY 08, 2015
CHECKED: TW	DATE:
PROJECT NO.: 2109	
DWG FILE NAME: Z:\PROJECTS\02109\DWG\SHEETS\11-13 GENERAL NOTES.DWG	

THIS DOCUMENT IS RELEASED FOR THE PURPOSE OF CONSTRUCTION.



SEWER DETAILS
 LOT 6, BLOCK 1
 HORIZON VILLAGE
 CITY OF ROCKWALL, ROCKWALL COUNTY, TEXAS

RECORD DRAWINGS
 To the best of our knowledge Engineering Concepts & Design, L.P., hereby states that this plan is As-Built. This information provided is based on surveying at the site and information provided by the contractor.
Todd Winters 7-25-15
 TODD WINTERS DATE