

GENERAL NOTES:

- All work, methods, materials, and equipment shall conform to City of Rockwall Subdivision Regulations, the North Central Texas Council of Government construction standards 3rd edition, any special provisions to the NCTCOG approved by the city of Rockwall. Standard details can be obtained from NCTCOG and the City of Rockwall.
- Prior to construction, the contractor shall familiarize himself with the contract documents and specifications, the plans including all notes and any other applicable standards or specifications relevant to the proper completion of the work specified. Failure on the part of the contractor to familiarize himself with all standards or specifications pertaining to this work shall in no way relieve the contractor of responsibility for performing the work in accordance with all such applicable standards and specifications.
- Contractor shall have in his possession, prior to construction, all necessary permits, licenses, etc. Contractor shall have at least one set of approved engineering plans and specifications on site at all times.
- Any item of work called for by the plans and/or specification and not included, as a bid item shall be subsidiary to the construction of the various bid items.
- Construction inspection will be performed by representatives of the owner, engineer, City, geotechnical engineer, and reviewing authorities and agencies. Unrestricted access shall be provided to them at all times. Contractor is responsible for scheduling required inspections as required by contract documents.
- The contractor and all subcontractors must confine their activities to the work area. Any damage resulting from work outside the work area, shall be the contractor's responsibility.
- It will be the responsibility of each contractor to protect all existing public and private utilities throughout the construction of this project. Contractor shall contact the appropriate utility companies for line locations prior to commencement of construction and shall assume full liability to those companies for any damages caused to their facilities. Location of utilities are taken from the City and Utility Company records. Contractor shall field verify to determine exact location of utilities.
- Trench safety design will be the responsibility of the contractor. The contractor shall abide by all applicable federal, state, and local laws governing excavation. Trench side slopes shall meet OSHA standards. Shoring, shoring, and bracing shall be required when side slope standards are not met. A full box, meeting OSHA standards will be acceptable. The contractor shall submit detailed plans to the City Engineer for review showing how OSHA Standards for excavation shall be met prior to the start of any utility construction. The plans shall be sealed by an Engineer registered by the State of Texas.
- Contractor shall stockpile salvage materials for inspection. All items not salvaged by the owner shall be removed from the site at the contractor's expense. The owner will transport salvaged materials away from the site at the owner's expense. Salvage, stockpile, and removal of materials shall be considered subsidiary to the various bid items and shall not be paid for directly unless such items are specifically included in the bid items.
- The contractor shall be responsible for providing and maintaining all necessary warning and safety work, material, and operations needed to provide for the health and safety of the public until all work has been completed, including maintenance bond periods, and to be accepted by City of Rockwall in writing.
- All fill to be compacted to 95% with sheeps foot roller in 8" lifts.

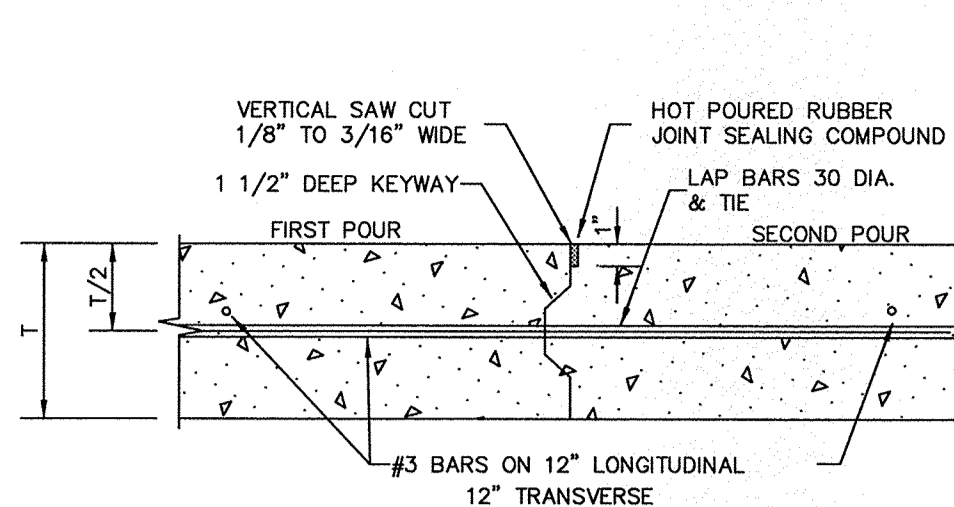
WATER NOTES:

- All new water line shall be fully purged. Do not test against existing valves when connecting to existing lines.
- Where water mains either cross or otherwise come within 9 feet of a sanitary sewer main, the contractor will conform to Texas Administrative Code Title 30, Part 1, Chapter 290, Subchapter D, Rule §290.44.
- Utility contractor shall use MEGALUG when installing the water line and double strap services when installing the services.
- Water services shall be installed w/double strap saddle and tap installed with a corporation stop at the distribution pipeline and an angle stop.
- All water lines shall be pressure tested and disinfected in accordance with AWWA C 601. A passing Bacteriological test (negative for coliform) shall be achieved prior to acceptance.
- Water pipelines shall be PVC pipe conforming to the Standard Specifications for Construction. In general, the water pipelines shall be Class 200 PVC C900 DR14 pipe, and installed with a minimum of four feet (4') of cover, unless approved by the City. All pipes shall be installed in embedment material as shown on the Standard Drawings and in conformance with the Standard Specifications of Construction. Blue EMS locator pads to be installed on waterline every 250' and at every bend, service, and valve.
- All gate valves shall be manufactured by Mueller or Kennedy, or an approved equal with resilient seat only and shall conform to and shall be installed according to the Standard Specifications of Construction.
- Fire hydrants shall be either Mueller, American Darling or an approved equal conforming to the requirements set forth in the Standard Specifications for Construction. All fire hydrants shall be installed with a six-inch (6") gate valve on the hydrant lead. The installation shall be as set forth in the Standard Specifications for Construction. Fire hydrants shall be painted to meet the City's requirements for color code as set forth in the Standard Specifications. In general, the fire hydrant will be reflective silver with differing cap color, which corresponds to the size of hydrant feeder line, as detailed in Table 5.2 Fire hydrants shall be installed at the end of each dead end line. Minimum main size for a fire hydrant shall be eight inches (8") if main is over fifty feet (50') long.

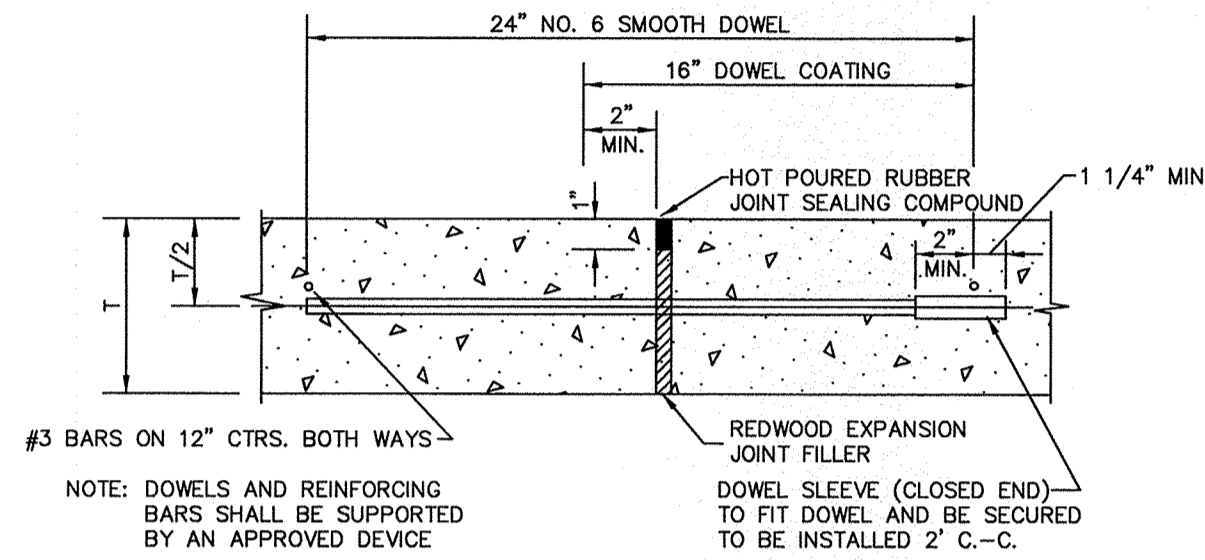
In non-residential developments an eight inch (8") lead will be required on all fire hydrants that are located more than fifty feet (50') from a looped water line.
- Service pipelines shall be in accordance with the designs shown on the Standard Drawings. The materials shall be Mueller or approved equal and shall be installed in accordance with the Standard Specifications for Construction. All connections shall be flare type or approved equal.
- Mega-lugs or approved equal shall be installed at all horizontal change in directions at all vertical changes in directions that require a bend. The restraints shall be placed at the bend and at the next pipe joint in each direction from the bend.
- Commercial irrigation meters shall have a testable double check backflow preventer.
- Install blue EMS disks on the water line at every change in direction, valve, fire hydrant, and every 250'.
- All water lines to be Class 200 DR14.

WASTEWATER NOTES:

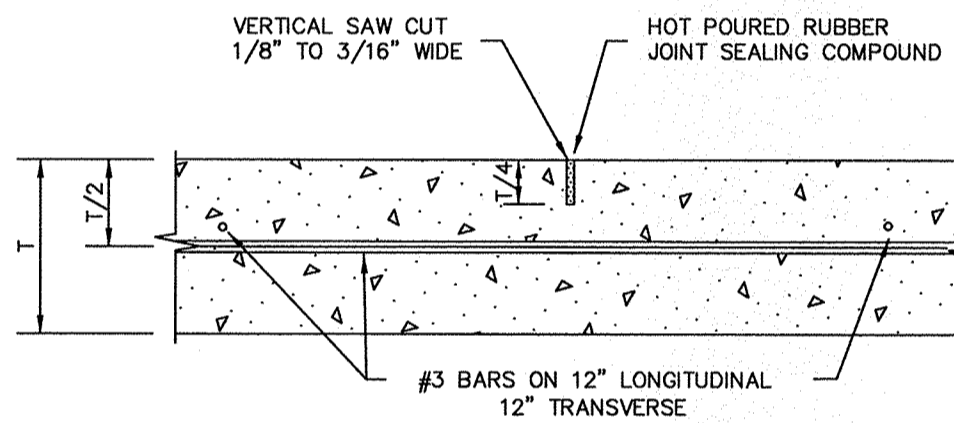
- All wastewater lines shall be tested for infiltration in accordance with the procedures set forth in the Standard Specifications for Construction. In general, all wastewater pipe shall be installed so that the completed wastewater will have a maximum exfiltration of one hundred fifty (150) gallons per inch of internal diameter, per mile of pipe, per 24 hours, where the maximum hydrostatic head at the centerline of the pipe does not exceed twenty-five (25) feet. A television survey will be performed as part of the final testing in the tenth (10th) month of the maintenance period. The City's representative shall be present at all testing. All expenses for this work shall be the developer's responsibility.
- Install green EMS disks on sanitary sewer line at every change in direction, manhole, service, & clean out.
- All manholes to be Raven lined or approved equal.



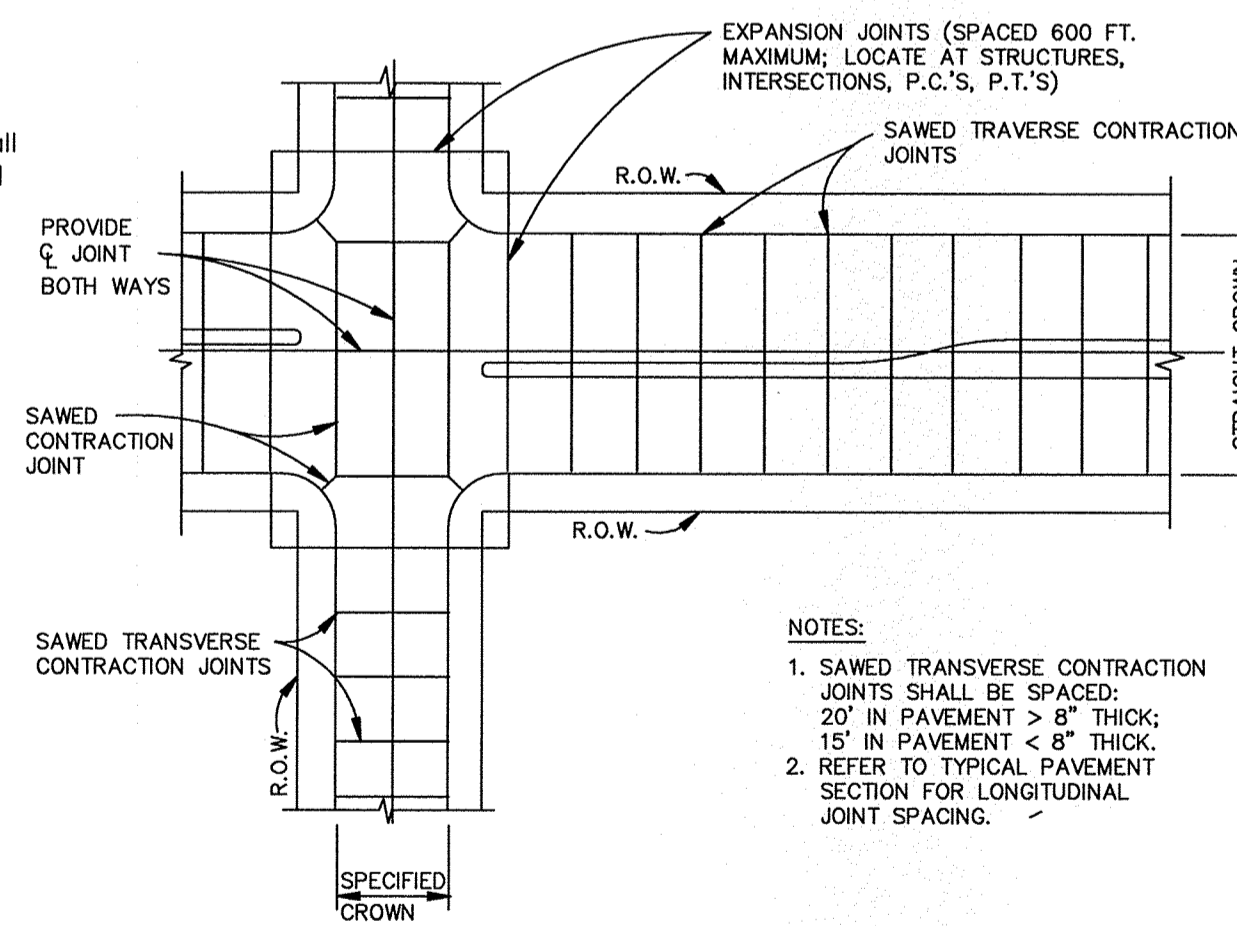
CONSTRUCTION JOINT DETAIL



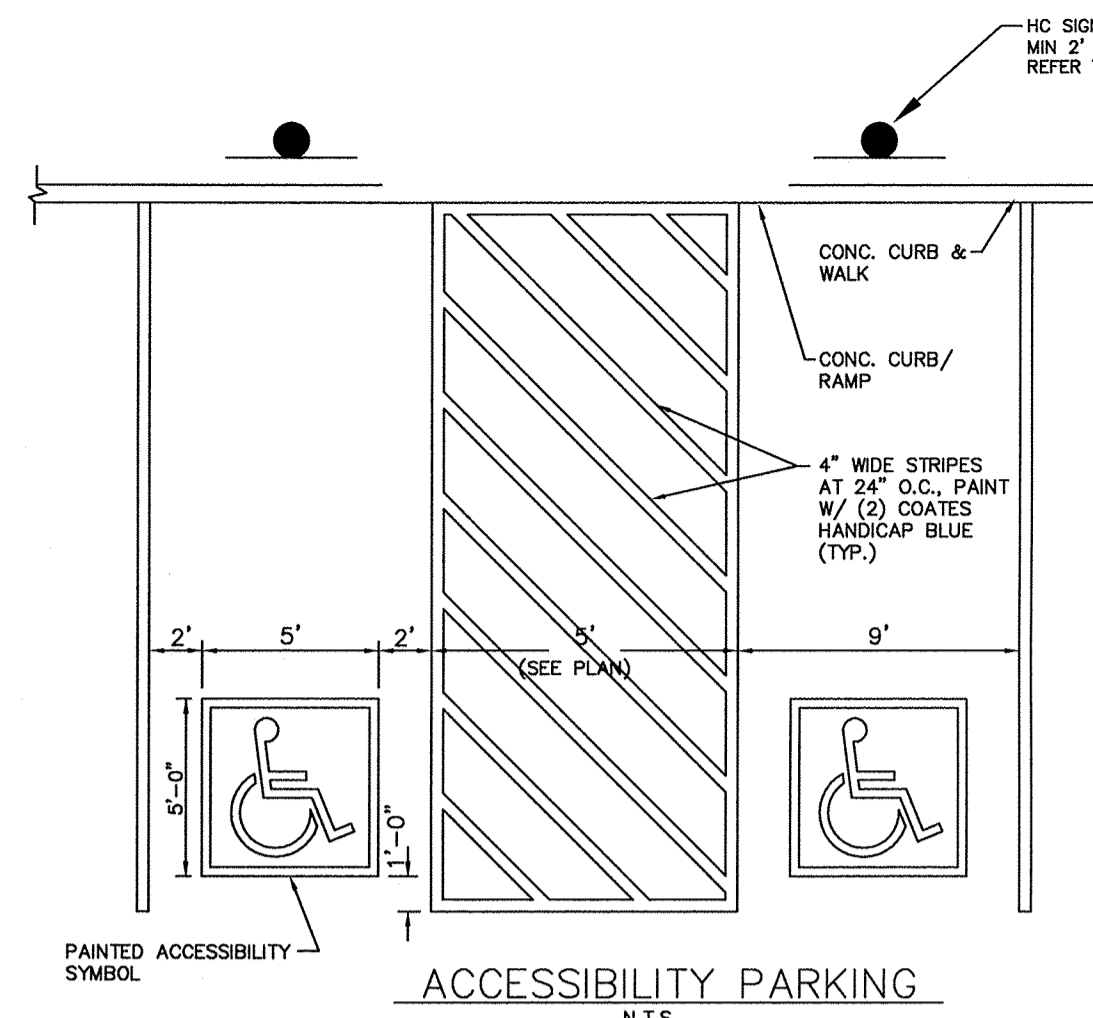
TRANSVERSE EXPANSION JOINT DETAIL



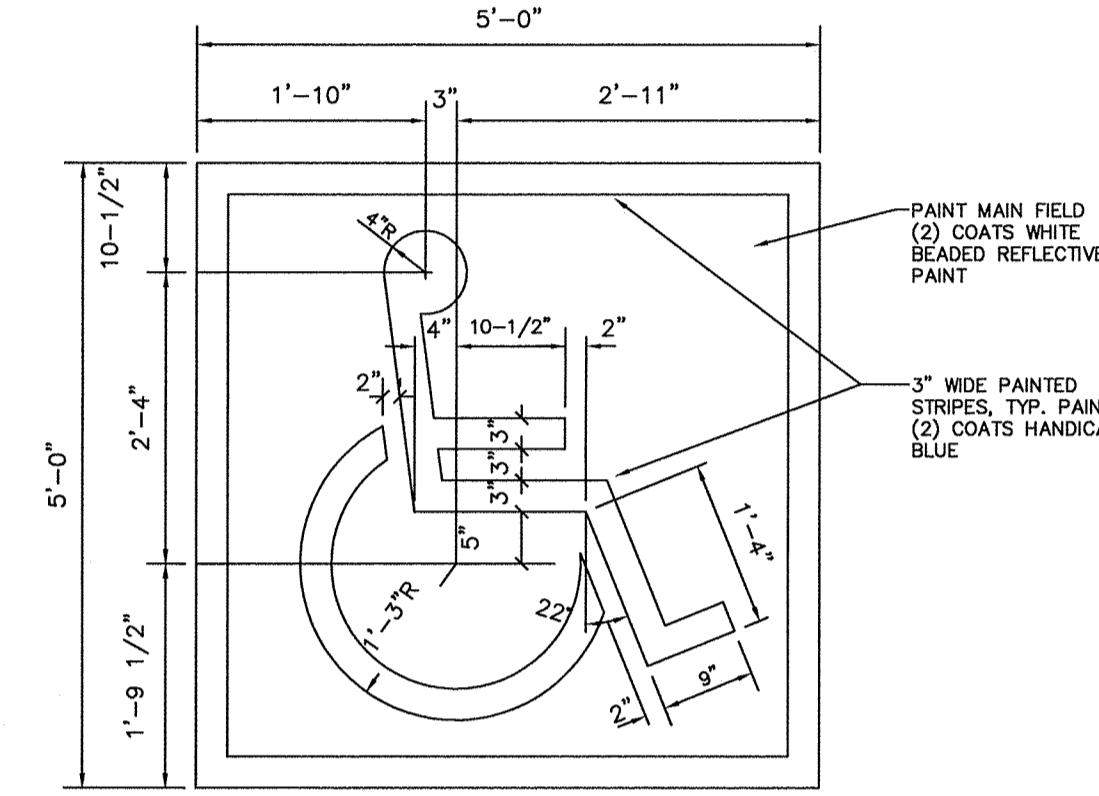
SAWED DUMMY JOINT DETAIL



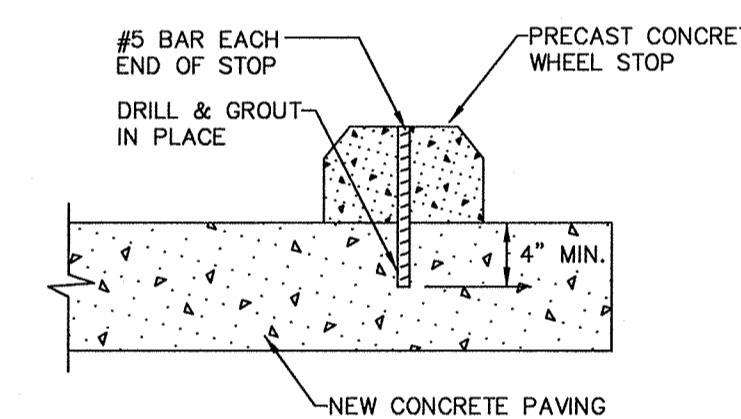
SPACING DIAGRAM FOR TRANSVERSE JOINTS



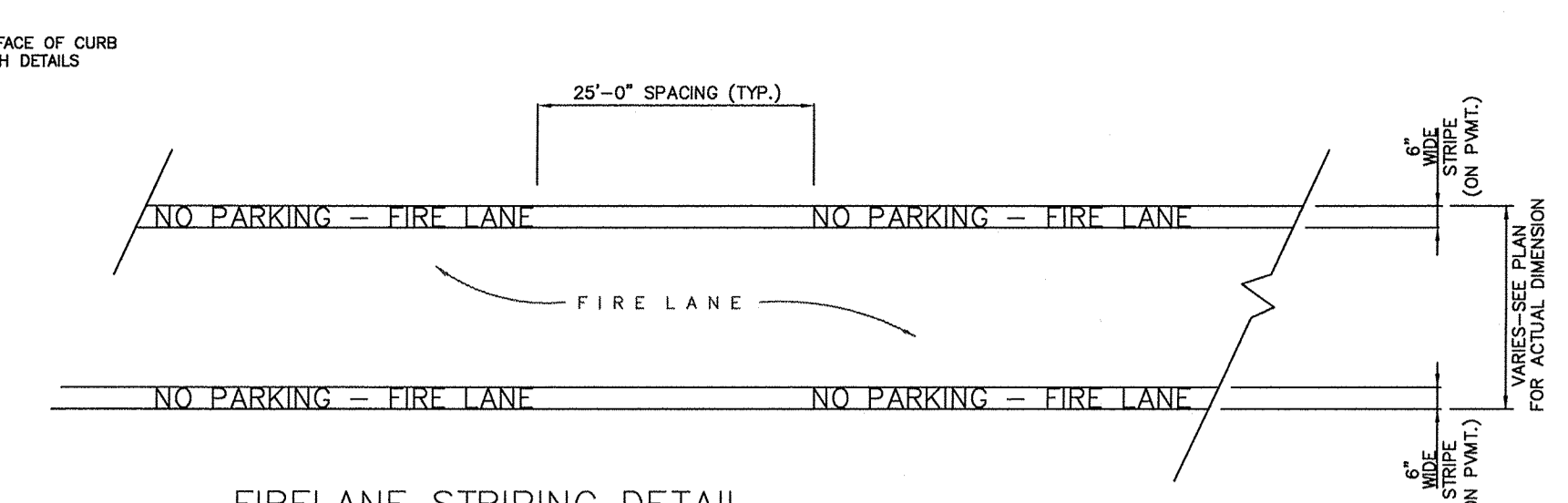
ACCESSIBILITY PARKING



PAINTED ACCESSIBILITY SYMBOL

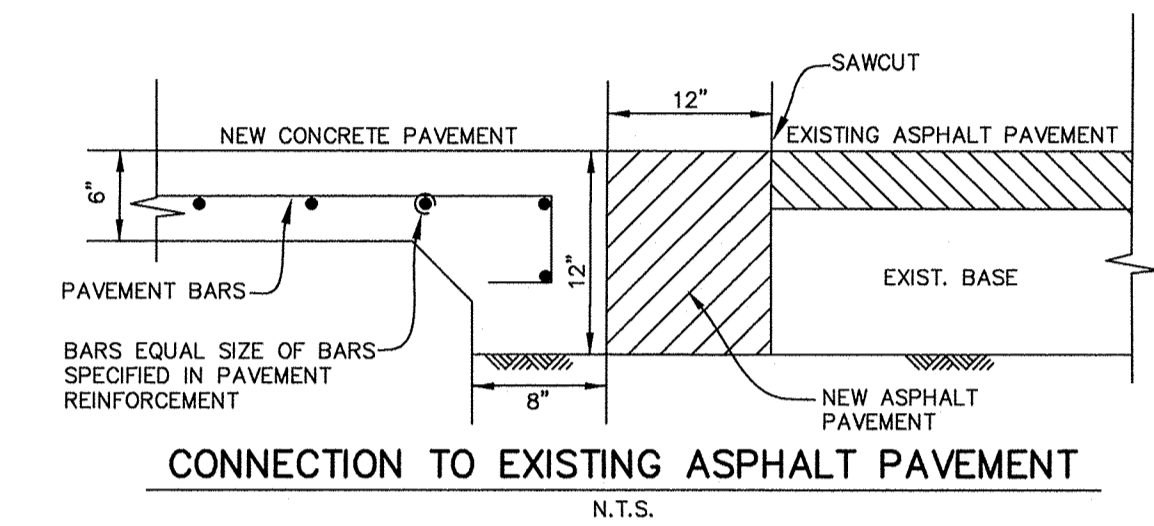


WHEEL STOP DETAIL

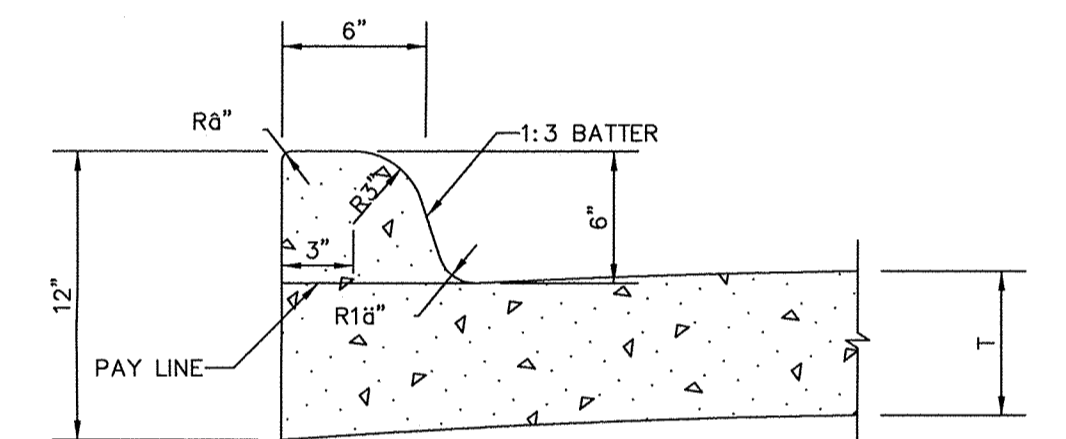


FIRELANE STRIPING DETAIL

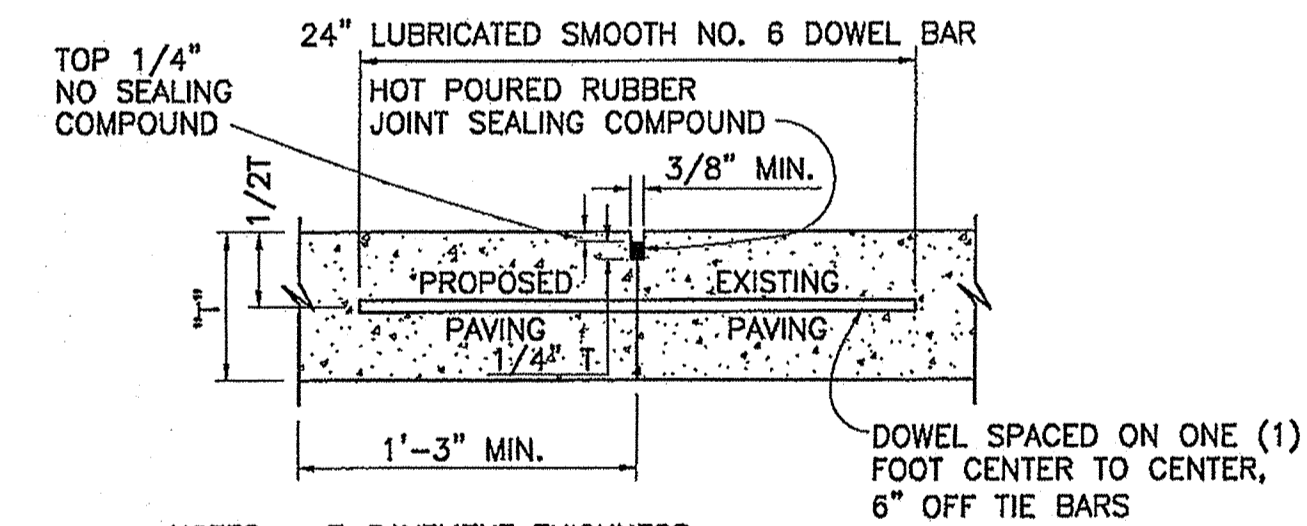
- STRIPING DETAILS AND SPECIFICATIONS**
- NOTE:** Firelane markings shall be placed on curb when firelane is adjacent to curb and on pavement in all other applications.
- A. Paint:**
- Stripe shall be six (6) inches wide when on pavement and from the top of the seam of the curb to a point even with the driving surface when on curb, painted with an exterior acrylic latex paint.
 - Color shall be "Traffic Red" Glidden No. 63251 or equal.
 - Letters shall be four (4) inches high painted with an exterior acrylic latex paint.
 - Color shall be "Traffic White" Glidden No. 563245 or equal.
- B. Application:**
- Stripe may be brushed or sprayed, one coat to finish.
 - Letters shall be stencil formed, brush applied and spaced as detailed on this sheet.



CONNECTION TO EXISTING ASPHALT PAVEMENT



INTEGRAL CURB DETAIL



NOTES: T=PAVEMENT THICKNESS

- LONGITUDINAL BUTT CONSTRUCTION MAY BE UTILIZED IN PLACE OF LONGITUDINAL HINGED (KEYWAY) JOINT AT CONTRACTOR'S OPTION.
- DOWEL BARS SHALL BE DRILLED INTO PAVEMENT HORIZONTALLY BY USE OF A MECHANICAL RIG.

DRILLING BY HAND IS NOT ACCEPTABLE, PUSHING DOWEL BARS INTO GREEN CONCRETE NOT ACCEPTABLE

LONGITUDINAL BUTT JOINT

RECORD DRAWINGS

To the best of our knowledge Engineering Concepts & Design, L.P., hereby states that this plan is As-Built. This information provided is based on surveying at the site and information provided by the contractor.

Todd Winters 7-25-15
TODD WINTERS DATE

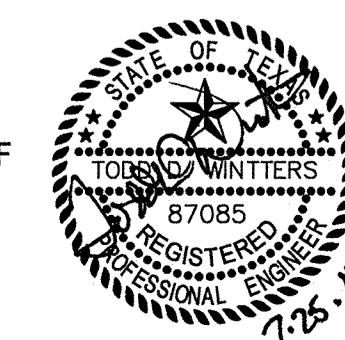
BENCHMARK:
BM FOUND ON 10' RECESSED CURB INLET IN THE NORTH LINE OF RALPH HALL PARKWAY ADJACENT TO SITE. ELEVATION = 547.25

ENGINEERINGCONCEPTS & DESIGN, L.P.

ENGINEERING / PROJECT MANAGEMENT / CONSTRUCTION SERVICES - FIRM REG. #F-001145
201 WINDCO CIR, STE 200, WYLIE, TX 75098
972-941-8400 FAX: 972-941-8401 WWW.ECDLP.COM

REVISIONS:	
DRAWN: TONY	DATE: JANUARY 08, 2015
CHECKED: TW	DATE:
PROJECT NO.: 2109	
DWG FILE NAME: Z:\PROJECTS\02109\DWG\SHEETS\11-13 GENERAL NOTES.DWG	

THIS DOCUMENT IS RELEASED FOR THE PURPOSE OF CONSTRUCTION.



GENERAL NOTES & TYPICAL PAVING SECTIONS

LOT 6, BLOCK 1
HORIZON VILLAGE
CITY OF ROCKWALL, ROCKWALL COUNTY, TEXAS

SHEET

11
OF
13