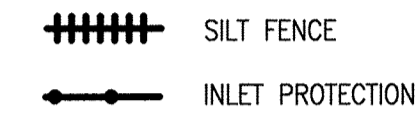
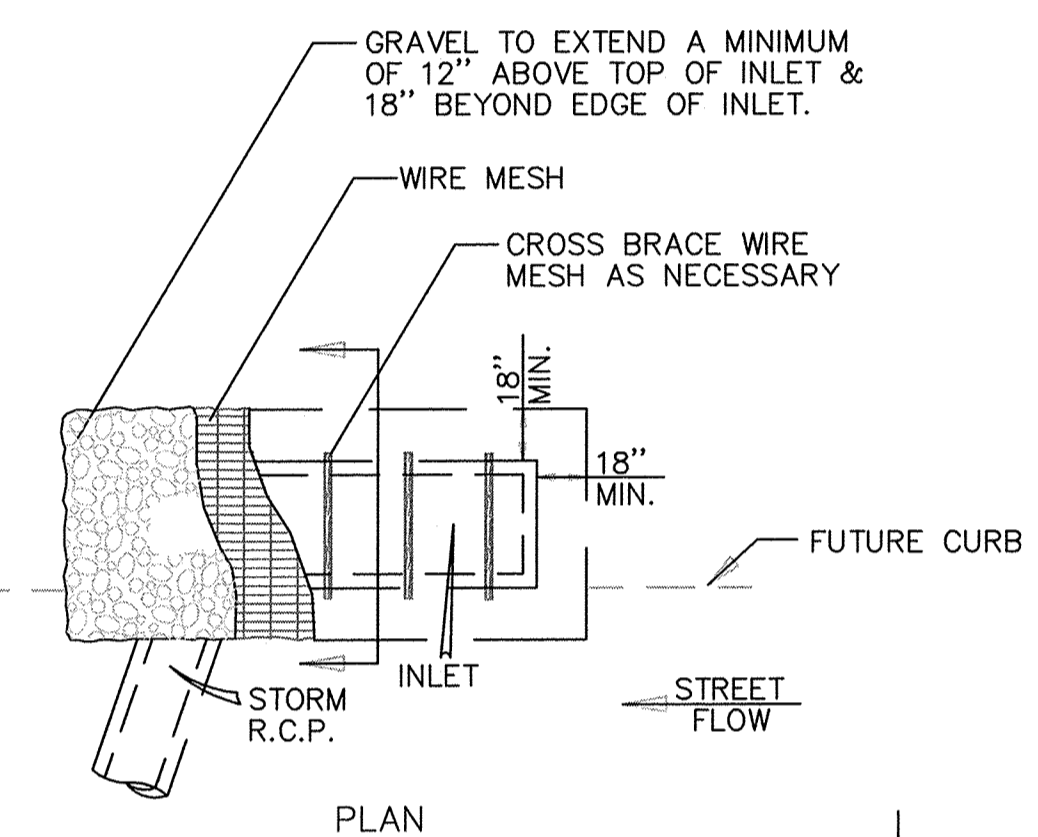


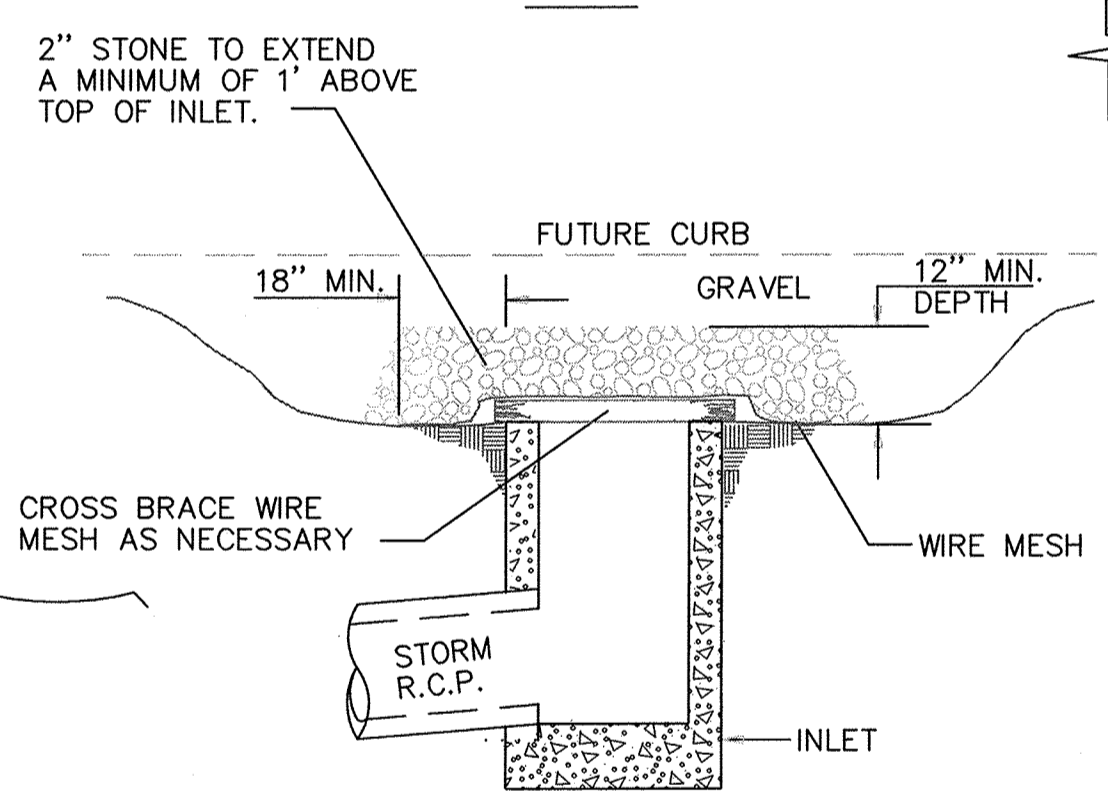
LEGEND:



NOTES:  
1.) SOD ALL DISTURBED AREAS  
NOTES:  
TOTAL SITE AREA: 2.181 ACRES  
DISTURBED AREAS: 0.73 ACRES



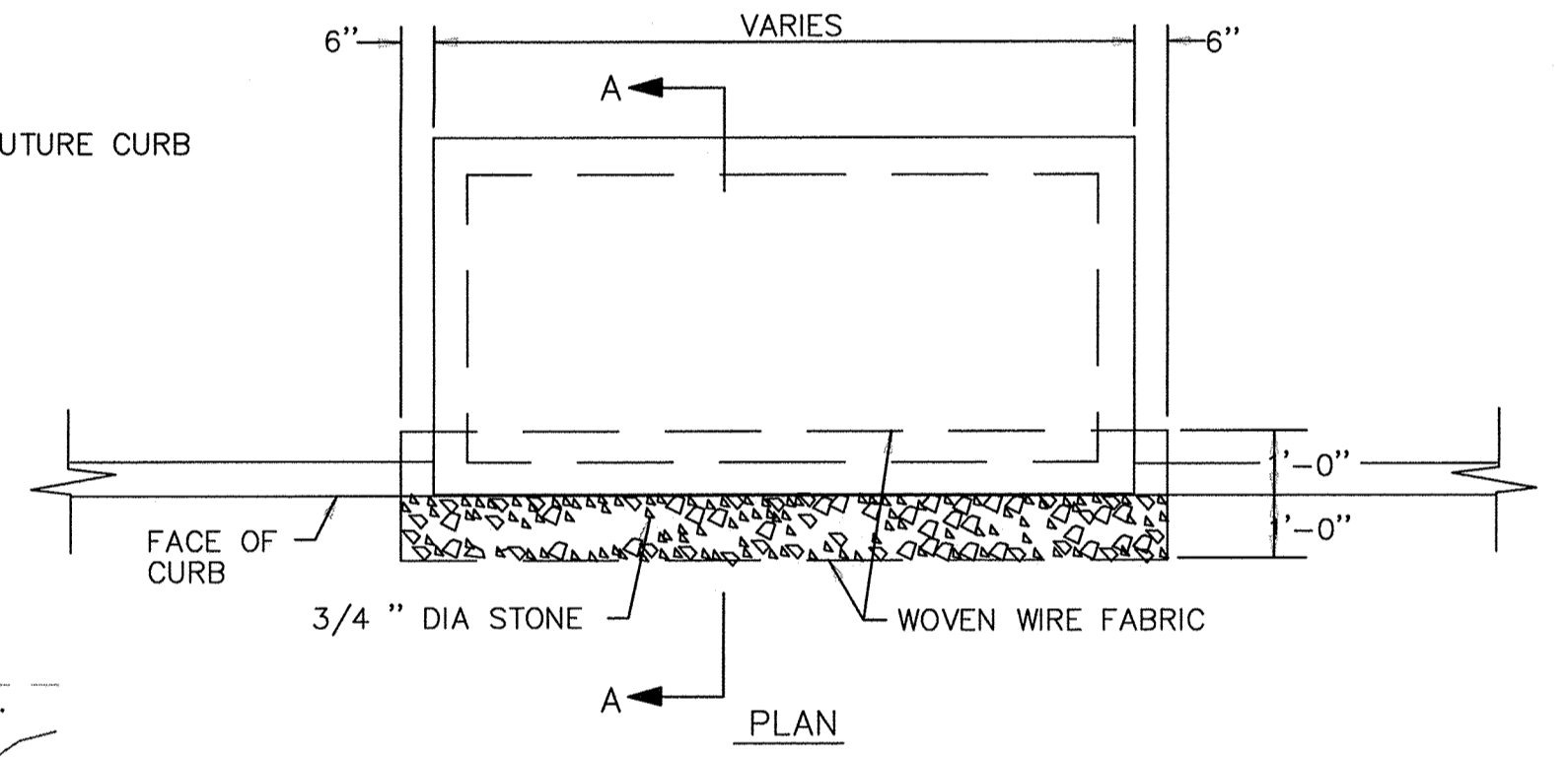
PLAN



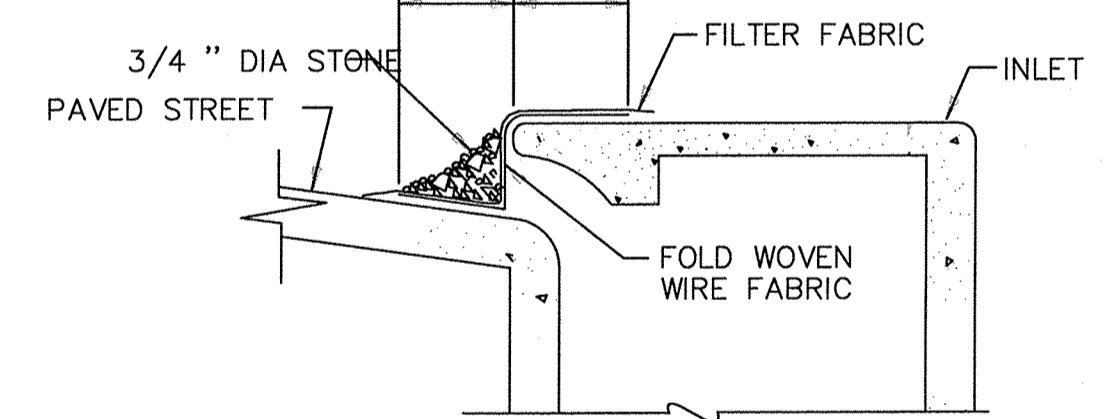
CROSS-SECTION

**INLET PROTECTION  
WIRE MESH & GRAVEL**  
N.T.S.

NCTCOG 02270.G  
STORM WATER QUALITY  
BEST MANAGEMENT PRACTICES  
FOR CONSTRUCTION ACTIVITIES  
CONTRACTOR SHALL INTERCEPT FLOW AND INSTALL INLET  
PROTECTION MEASURES AS SOON AS PRACTICABLE.



PLAN



**SECTION "A-A"  
CURB INLET  
SEDIMENT FILTER**  
N.T.S.

NCTCOG 02270.G  
STORM WATER QUALITY  
BEST MANAGEMENT PRACTICES  
FOR CONSTRUCTION ACTIVITIES

"ALL RESPONSIBILITY FOR ADEQUACY OF DESIGN REMAINS WITH THE DESIGN ENGINEER. THE CITY OF ROCKWALL, IN REVIEWING AND RELEASING PLANS FOR CONSTRUCTION ASSUMES NO RESPONSIBILITY FOR ADEQUACY OR ACCURACY OF DESIGN."

RECORD DRAWINGS

To the best of our knowledge Engineering Concepts & Design, L.P., hereby states that this plan is As-Built. This information provided is based on surveying at the site and information provided by the contractor.

*Todd Winters* 7-31-15  
TODD WINTERS DATE

BENCHMARK:  
BM FOUND ON 10' RECESSED CURB INLET IN THE NORTH LINE OF RALPH HALL PARKWAY ADJACENT TO SITE. ELEVATION = 547.25



ENGINEERING / PROJECT MANAGEMENT / CONSTRUCTION SERVICES - FIRM REG. #F-001145  
201 WINDCO CIR, STE 200, WYLIE, TX 75098  
972-941-8400 FAX: 972-941-8401 WWW.ECDLP.COM

REVISIONS:	
DRAWN: TONY	DATE: JANUARY 08, 2015
CHECKED: TW	DATE:
PROJECT NO.: 2109	
DWG FILE NAME: Z:\PROJECTS\02109\DWG\SHEETS\10 EROSION CONTROL PLAN.DWG	

THIS DOCUMENT IS RELEASED FOR THE PURPOSE OF CONSTRUCTION.



**EROSION CONTROL PLAN**  
LOT 6, BLOCK 1  
HORIZON VILLAGE  
CITY OF ROCKWALL, ROCKWALL COUNTY, TEXAS

SHEET  
10  
OF  
13