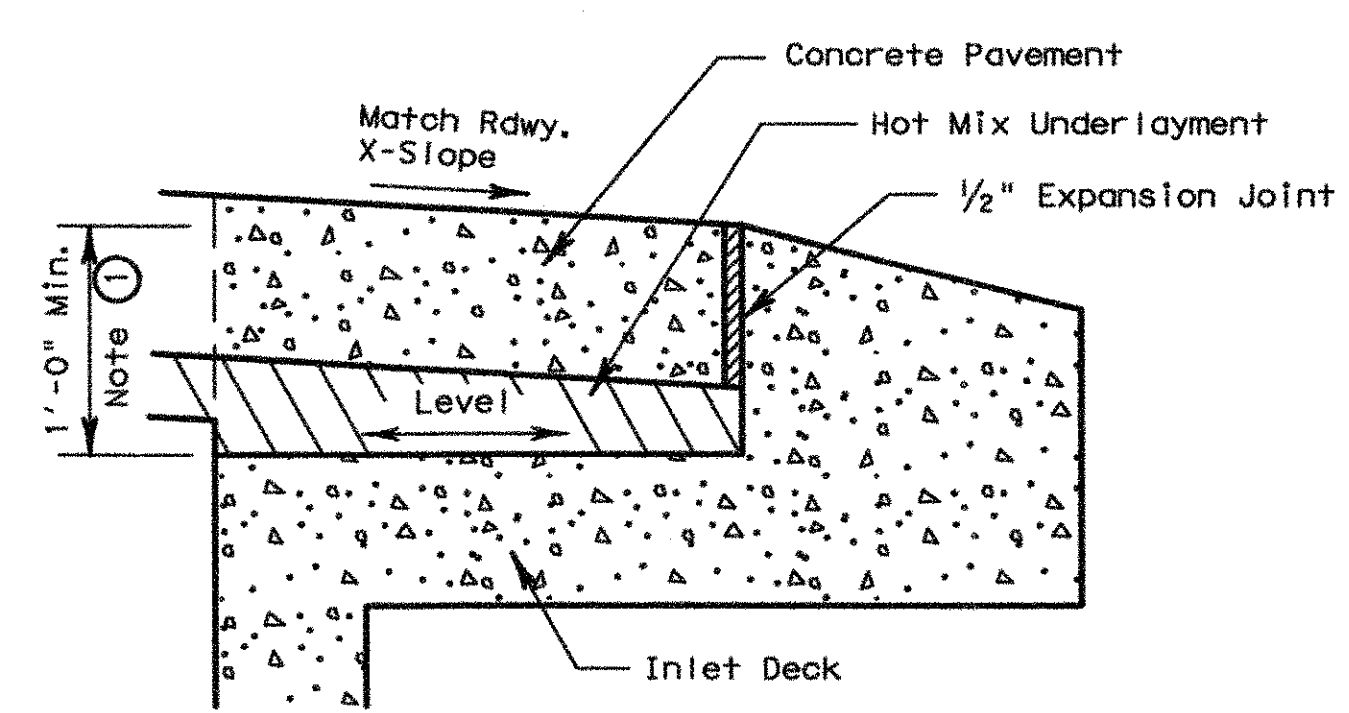


# Bill Of Reinforcing Steel for Inlet Depth of 6'

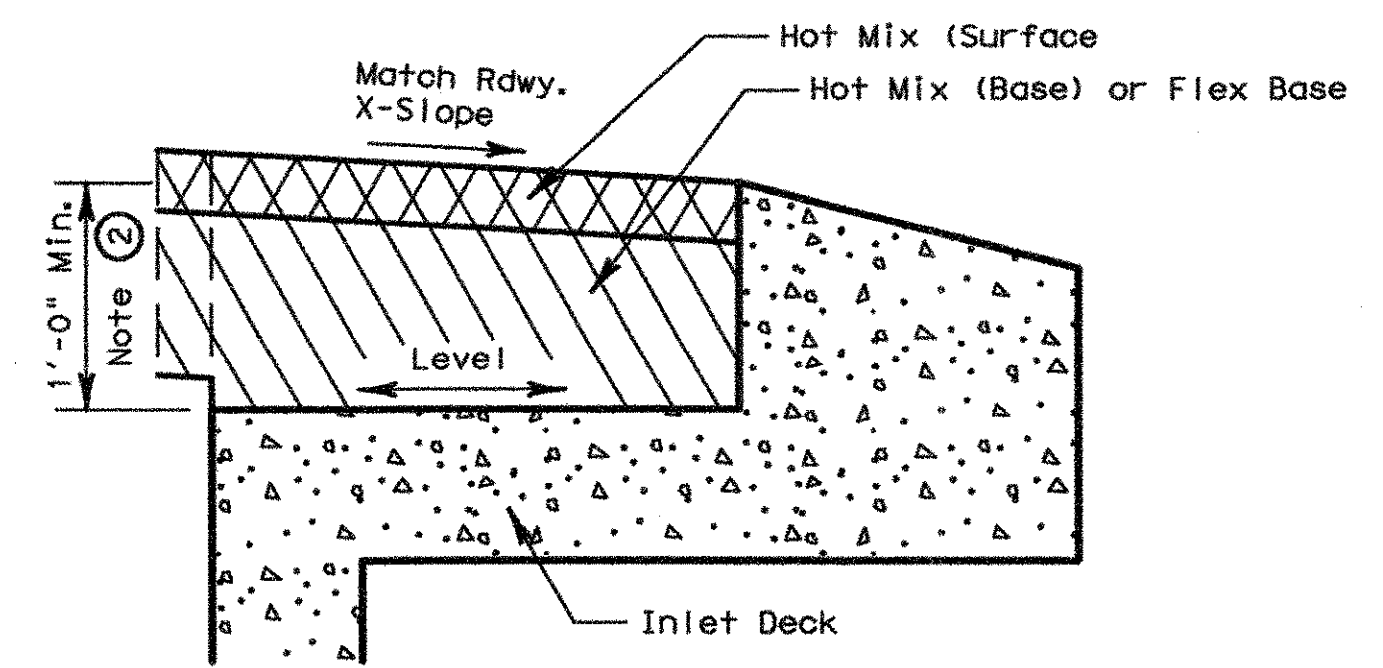
Length of Opening	#5 Bars A @ 6"		#5 Bars B @ 6"		#5 Bars C @ 6"		#5 Bars C <sub>1</sub> @ 6"		#5 Bars D @ 6"		#5 Bars D <sub>1</sub> @ 6"		#5 Bars E @ 6"		#5 Bars F @ 6"		#4 Bars G			#4 Bars H @ 12"		#4 Bars J @ 12"		#4 Bars K @ 7"		#4 Bars L @ 12"		#4 Bars M			#4 Bars P		#6 Bars R		#6 Bars S		#6 Bars T		#4 Bars U @ 10"		#4 Bars V @ 5"		#4 Bars W	
	No.	Wt.	No.	Wt.	No.	Wt.	No.	Wt.	No.	Wt.	No.	Wt.	No.	Wt.	No.	Wt.	No.	Length	Wt.	No.	Wt.	No.	Wt.	No.	Wt.	No.	Length	Wt.	No.	Wt.	No.	Wt.	No.	Wt.	No.	Wt.	No.	Wt.	No.	Wt.	No.	Wt.		
5'	13	151	13	75	6	54	7	38	6	56	7	35	13	77	13	88	46	6'-0"	184	7	9	7	15	16	73	8	50	2	16'-8"	22	4	15	0	0	0	0	0	0	0	0	4	35	6	11
10'	23	268	23	132	16	143	7	38	16	149	7	35	23	136	23	156	46	11'-0"	338	12	15	12	26	16	73	8	50	2	21'-8"	29	4	15	2	26	2	24	2	17	6	13	4	35	6	11
15'	33	384	33	189	26	233	7	38	26	242	7	35	33	195	33	224	46	16'-0"	492	17	21	17	37	16	73	8	50	2	26'-8"	36	4	15	4	51	4	48	4	33	12	25	4	35	6	11
20'	43	501	43	247	36	322	7	38	36	335	7	35	43	254	43	292	46	21'-0"	642	22	27	22	48	16	73	8	50	2	31'-8"	42	4	15	6	77	6	72	6	50	18	38	4	35	6	11

DISCLAIMER: The use of this standard is governed by the "Texas Engineering Practice Act". No warranty of any kind is made by TxDOT for any purpose whatsoever. TxDOT assumes no responsibility for the conversion of this standard to other formats or for incorrect results or damages resulting from its use.



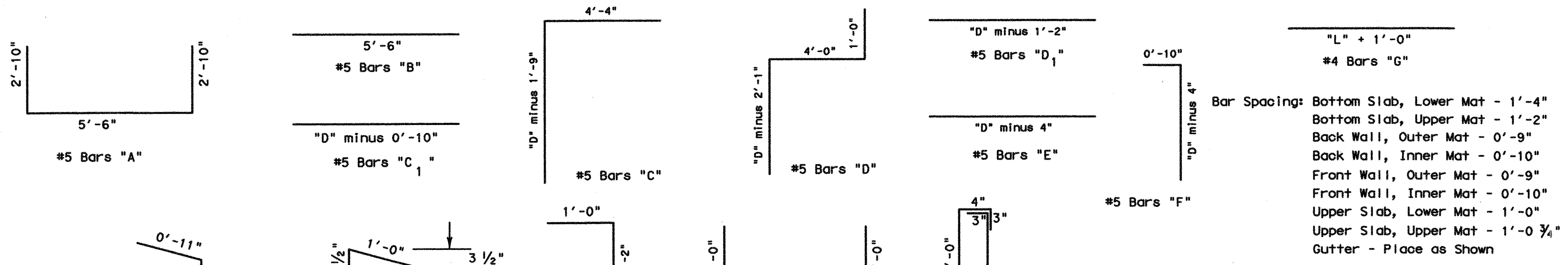
① Thickness of Concrete Pavement plus Hot Mix underlayment; if less than 1'-0", increase depth of Hot Mix underlayment.

### INLET ADJACENT TO CONCRETE PAVEMENT



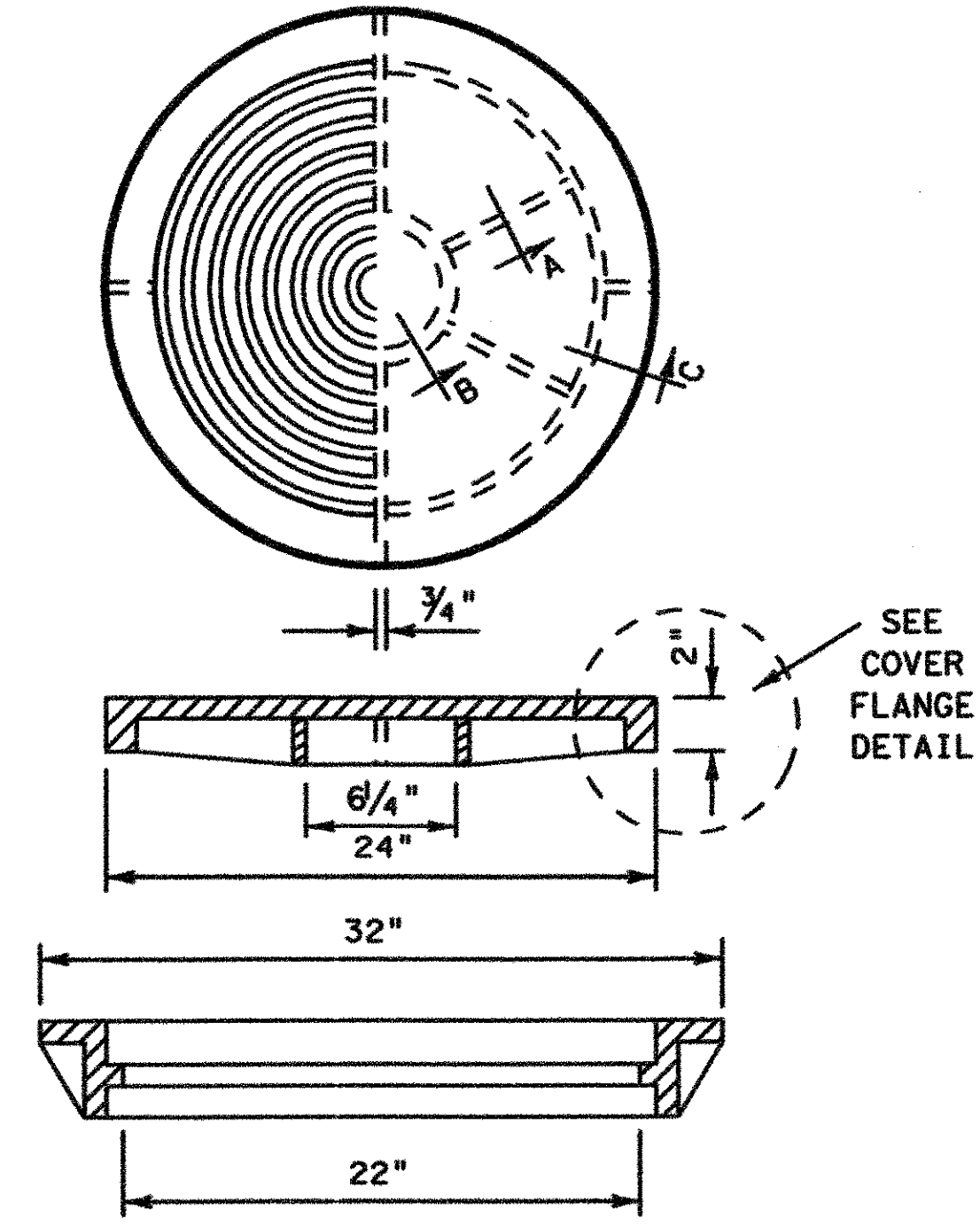
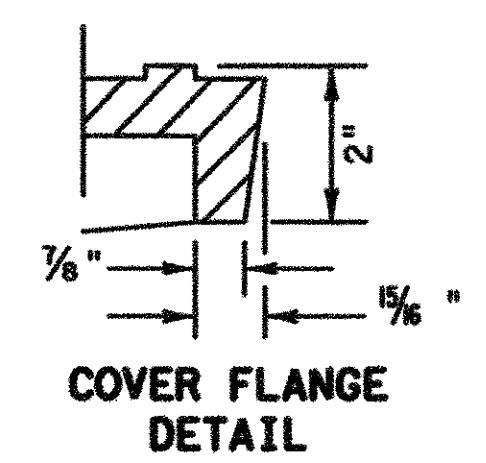
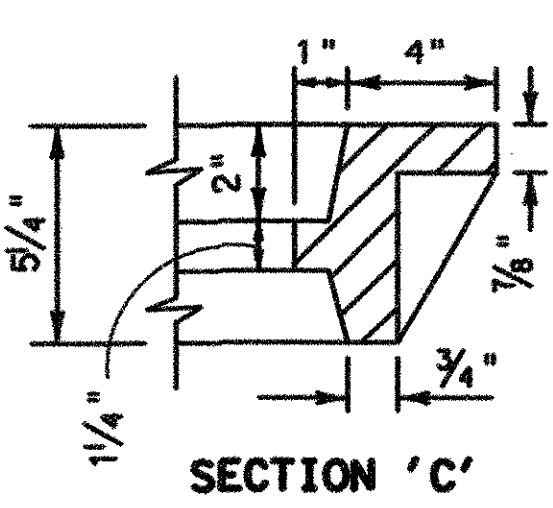
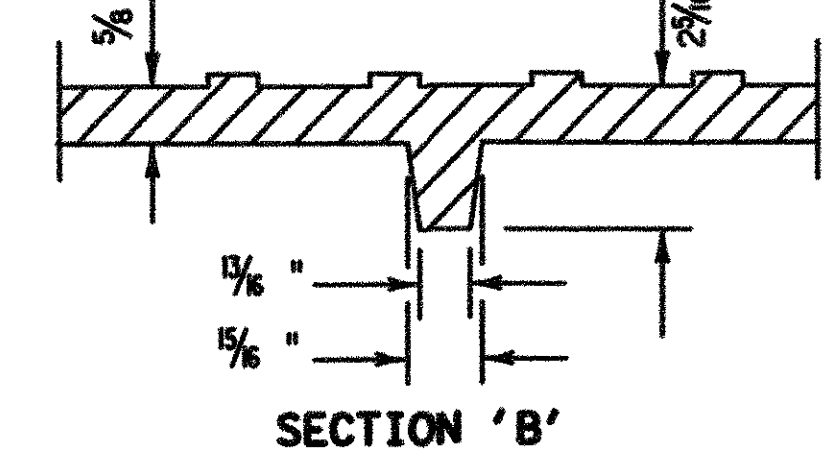
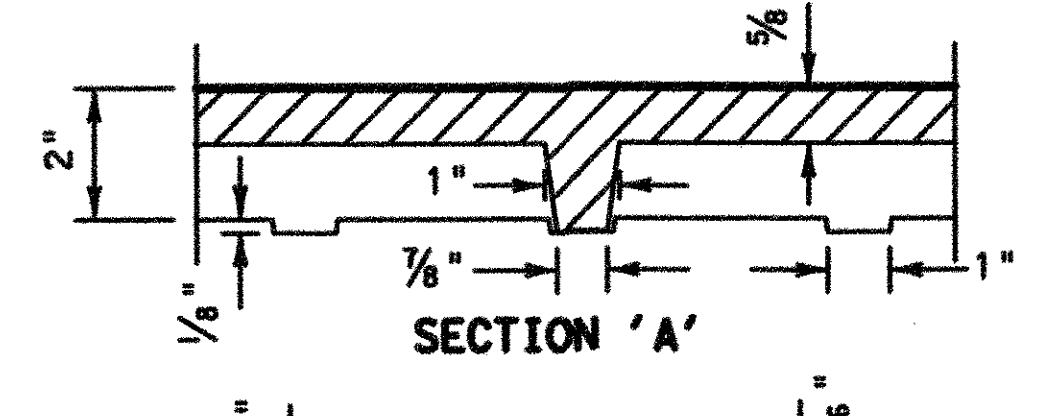
② Thickness of Hot Mix (Surface) plus Hot Mix (Base) or Flex Base. If less than 1'-0", increase depth of Hot Mix (Base) or Flex Base over inlet deck.  
Maximum thickness = 1'-6"  
Do not place less than 4" lift of Flex Base

### INLET ADJACENT TO HOT MIX PAVEMENT



### GENERAL NOTES

- All concrete shall be Class "A".
- Chamfer all exposed corners 3/4" except where otherwise noted.
- Dimensions related to reinforcing steel are to the centers of bars.
- Field cut and bend bars as necessary to accommodate storm drain pipe.
- Cast iron ring and cover shall conform to Item 471.
- Depths other than those shown may be used whenever necessary. Quantities for other depths within the limits of the tables may be found by interpolation.
- During Stage 1 construction, inlets will not be constructed above subgrade elevation unless permission is granted by the Engineer.
- A temporary wood cover shall be installed after Stage 1 is completed, and will remain in place until Stage 2 begins.
- The location of inlet as shown in the plans refers to the control point at the gutter line and mid-point of the inlet.
- If concrete pavement is placed without underlayment, place bond breaker (3 layers of 30# roofing felt or 1/2" expansion joint material) between inlet deck and concrete pavement. A sealed 1/2" expansion joint shall be placed along all vertical faces abutting concrete pavement. Seal joint with Class 3,4,5 or 7 joint sealant.



### CAST IRON RING AND COVER

### Summary of Quantities

Length of Opening	C.Y. Class "A" Concrete		Lbs. Reinforcing Steel	
	"D" = 6'	Add P.L.F.	"D" = 6'	Add P.L.F.
5'	5.43	0.54	988	96
10'	8.31	0.78	1727	154
15'	11.19	1.03	2467	211
20'	14.07	1.28	3206	268

Pipe Diameter	Reduction One Pipe C.U. Yd.
15"	0.04
18"	0.05
21"	0.08
24"	0.09
27"	0.11
30"	0.14
33"	0.17
36"	0.20
39"	0.23
42"	0.26
45"	0.30
48"	0.35

**TEXAS DEPARTMENT OF TRANSPORTATION**  
**FORT WORTH DISTRICT**  
 TYPE 2 CURB INLET  
 FOR USE W/ 5" TO 8" BARRIER CURB  
 5", 10', 15' & 20' OPENINGS  
**CI (2) -08 (FW)**  
 SHEET 2 OF 2 SHEETS

FED. RD. DIV. NO.	PROJECT NO.	SHEET NO.
6		C-11 OF 11
STATE	DIST.	COUNTY
TEXAS	FTW	TARRANT
CONT.	SECT.	JOB
		HIGHWAY NO.

Original November 2008  
© 2008 by Texas Department of Transportation; all rights reserved

LEVELS DISPLAYED

<http://www.dot.state.tx.us/ftw/specinfo/standard.htm>

c1208fw.dgn