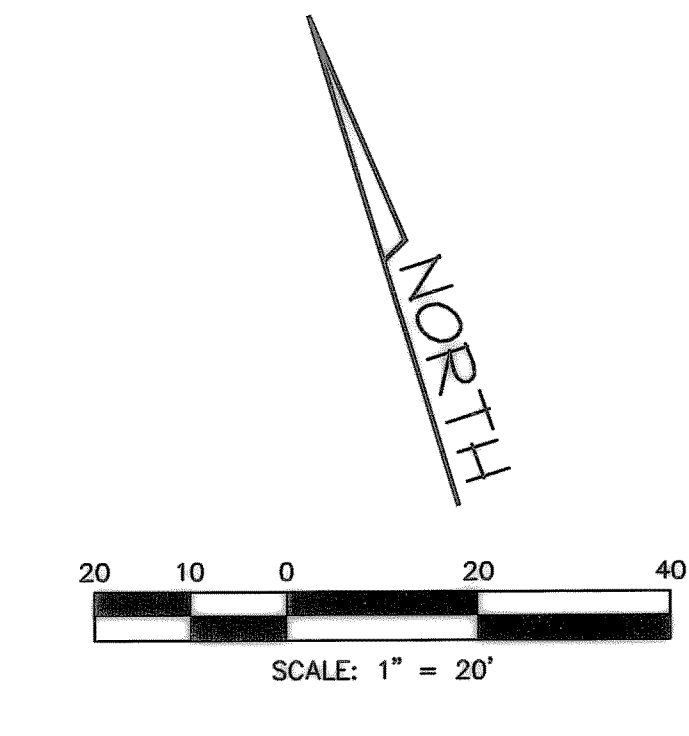
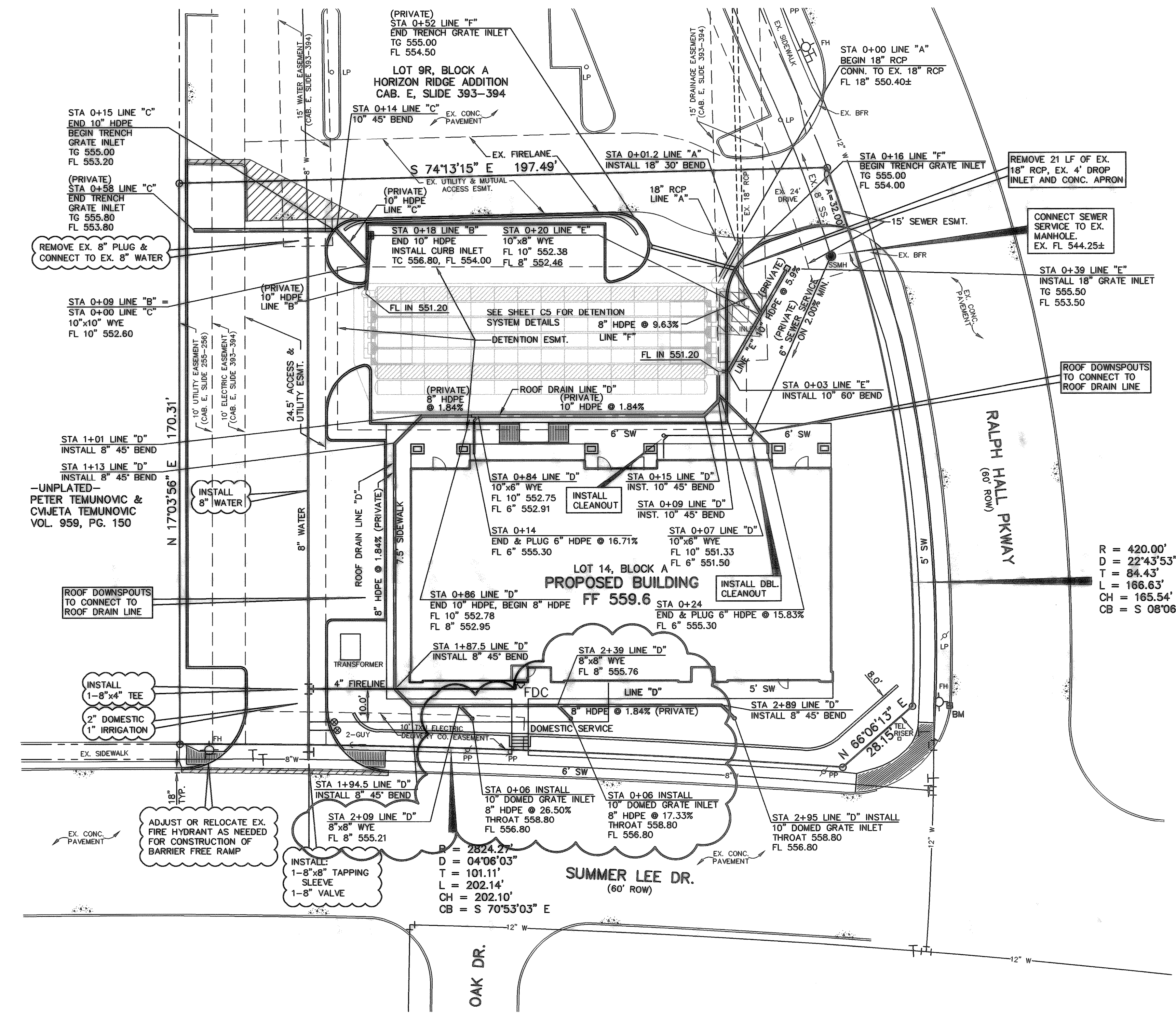


WATER/SEWER/STORM PLAN
HORIZON RIDGE ADDITION
CITY OF ROCKWALL, TEXAS

RECORD DRAWING

No.	Date	Revision
4	6/30/08	ADDED GRATE INLET
2	4/02/08	FOR COMMENTS
1	3/12/08	PER CITY COMMENTS

Scale: 1"=20'
File Name: JANISTATE
Date: ARJ. 2008
Project No.: 27160



- GENERAL NOTES**
- All work shall be in accordance with City of Rockwall Standard Detail Sheets.
 - Two year maintenance bonds on water and sewer to be furnished by the contractor.
 - Engineering department is to be notified 48 hours prior to any construction.
 - All water lines to have 42 inch minimum cover or as required to clear other utilities.
 - Water mains shall be Class 200 PVC, DR-14, sizes 4" to 15".
 - Fire hydrants shall be Mueller No. 24015 or equal.
 - Manhole rings and covers shall be 400# or bolt on.
 - Contractor shall use PVC SDR 35 Sewer pipe. PVC pipe shall have a maximum deflection of 5% (as per City of Rockwall Specifications.)
 - Valves shall be resilient seat gate valves.
 - Trench excavation for trenches 5 feet or more in depth shall be in accordance with all provisions of Part 1926, Subpart P - Excavations, Trenching and shoring of the Occupational Safety and Health's Standards and Interpretations. It shall be the responsibility of the Contractor to conform to the above stated provisions and to supply Trench Safety Plans if required by the City.
 - The locations of all utilities indicated on the plans are taken from available public records. The exact location and depth of all utilities indicated must be determined by the Contractor. It shall be the duty of the Contractor to ascertain whether any additional facilities other than those shown on the plans may be present.
 - It shall be the responsibility of the Contractor to protect all existing utilities in the construction of this project. Any utilities damaged during the construction of this project shall be repaired at the Contractor's expense.
 - All Reinforced Concrete Pipe shall be Class III.
 - Megalugs at all change in direction
 - Blue EMS locator pads to be installed on the waterline at every bend, service, and valve.
 - Fire hydrants shall have 5' clearance around.
 - Water and Sanitary Sewer service lines indicated on this plan are schematic in nature. Contractor / Plumber shall verify location of utilities exiting building prior to installation of service line from meter or main line.
 - All storm drain inlets (domed or standard) shall be Nyloplast brand or approved equal.

$$R = 420.0'$$

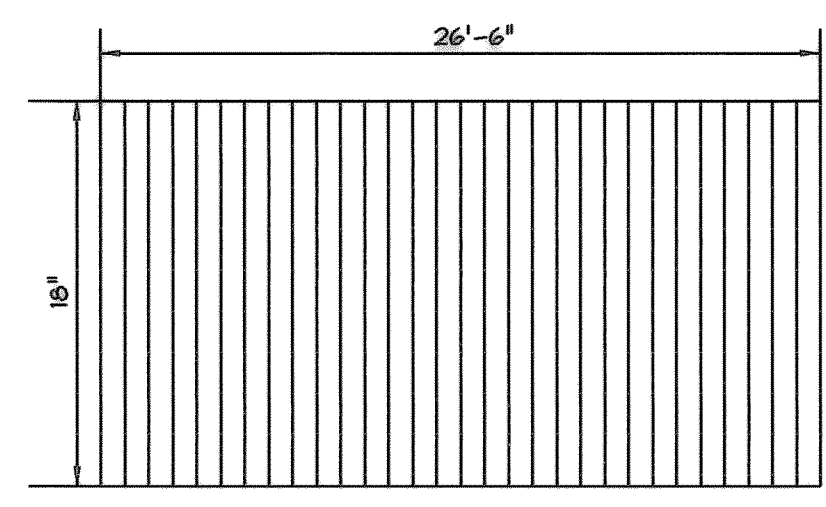
$$D = 22'43.53"$$

$$T = 84.43'$$

$$L = 166.83'$$

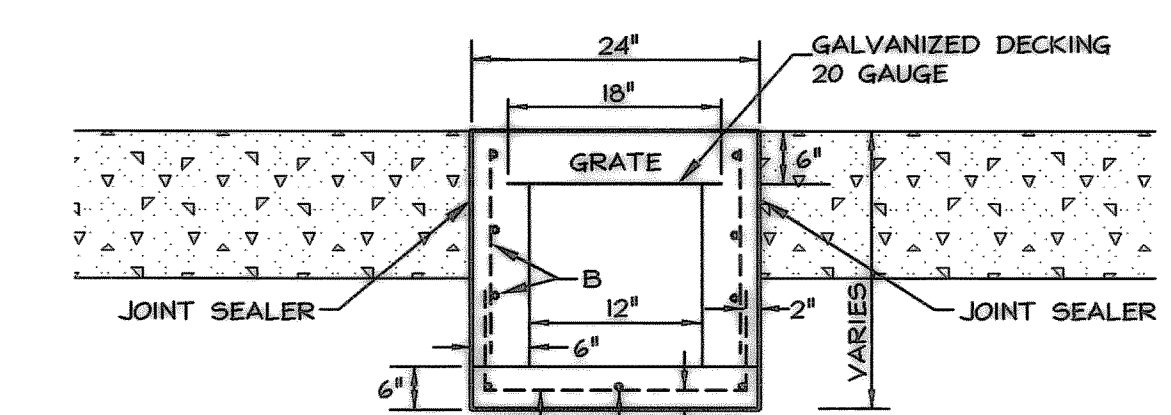
$$CH = 165.54'$$

$$CB = S 08'06.19"$$



GRATE DETAIL
NO SCALE

- NOTES:**
- WELDED STEEL GRATES SHALL CONFORM TO ITEM 471 OF THE 1995 TxDOT SPECIFICATIONS AND SHALL MEET H-20 LOADING REQUIREMENTS.
 - STEEL FOR GRATES SHALL CONFORM TO ASTM A36 OR EQUAL.
 - WELDED STEEL GRATES SHALL REC. 2-COATS OF EPOXY METAL PAINT AND SHALL CONFORM TO ITEM 446 OF THE 1995 TxDOT SPEC.
 - IT SHALL BE THE CONTRACTORS RESPONSIBILITY TO INSURE THAT THE GRATES AND TRENCH LIDS MATCH SO THAT A SMOOTH PWT. SURFACE IS PROVIDED.
 - GRATE THICKNESS SHALL BE 3".



INLET BOX DETAIL
NO SCALE

BAR SCHEDULE

BARS	SPAC.
A	12"
B	6"
C	9"

- GENERAL NOTES:**
- CONCRETE SHALL BE 4000 PSI 28 DAY CONCRETE.
 - CONCRETE PAVEMENT SECTION SHALL BE FIELD CONSTRUCTED TO INSURE THAT TRENCH SECTION IS AT LOW POINT FOR SURFACE DRAINAGE.
 - ALL REINFORCEMENT FOR CAST-IN-PLACE SECTIONS TO BE #4 BARS.

TRENCH GRATE INLET DETAIL
NO SCALE

LINE 'A'	LINE 'B'	LINE 'C'	LINE 'E'
<p>0+00 STA. 0+00 LN 'A' BEGIN 18" RCP CONN. TO EX. 18" RCP</p> <p>560</p> <p>STA. 0+15 LN 'A' CONST. STD. 4" DIA MH RIM 555.9</p> <p>555</p> <p>PROP GRADE</p> <p>EX. 18" RCP @ 8.7%</p> <p>550</p> <p>18" RCP @ 2.67%</p>	<p>0+00 STA. 0+00 LN 'B' BEGIN 10" HDPE CONN. TO 30" NYLOPLAST WEIR STRUCTURE</p> <p>560</p> <p>STA. 0+09 LN 'B' END 10" HDPE LN 'C'</p> <p>552.60</p> <p>STA. 0+00 LN 'B' END 10" HDPE LN 'B' INSTALL CURB INLET TC 556.80</p> <p>554.00</p> <p>PROP GRADE</p> <p>30" WEIR STRUCTURE</p> <p>100 YR WSE</p> <p>10" HDPE @ 15.56%</p>	<p>0+00 STA. 0+00 LN 'C' = STA. 0+00 LN 'B' END 10" HDPE LN 'C' BEG. 10" HDPE</p> <p>560</p> <p>STA. 0+15 LN 'C' END 10" HDPE LN 'E'</p> <p>553.20</p> <p>PROP GRADE</p> <p>100 YR WSE</p> <p>10" HDPE @ 4.0%</p>	<p>0+00 STA. 0+00 LN 'E' BEGIN 10" HDPE CONN. TO 30" NYLOPLAST WEIR STRUCTURE</p> <p>560</p> <p>STA. 0+20 LN 'E' END 10" HDPE LN 'E' INSTALL 18" GRATE INLET TC 555.50</p> <p>555</p> <p>PROP GRADE</p> <p>30" WEIR STRUCTURE</p> <p>100 YR WSE</p> <p>10" HDPE @ 5.90%</p> <p>550</p>

RECORD DRAWING
IMPROVEMENTS INDICATED ON THESE PLANS ARE BASED ON VISUAL OBSERVATION AND SURVEY WORK PERFORMED AT THE SITE BY BEI OR SURVEY SUBCONTRACTOR.
DATE: DECEMBER 19, 2008