

**IRRIGATION SPECIFICATIONS**

**SECTION 02810**

**PART 1 - GENERAL**

**1.1 SCOPE**

- A. Provide complete sprinkler installation as detailed and specified herein, including furnishing all labor, materials, and equipment for the proper installation. Work includes but is not limited to:
  1. Trenching and backfill.
  2. Automatic controlled system.
  3. Upon completion of installation, supply drawings showing details of construction including location of mainline piping, manual and automatic valves, electrical supply to valves, and specifically exact location of automatic valves.
- B. **NOTE:** All sleeves as shown on plans will be furnished by General Contractor. Meter and power source to be provided by General Contractor.

**1.2 RELATED WORK SPECIFIED ELSEWHERE**

- A. See Irrigation Plans. See plans for controller, heads, and valves.
- B. Section 02810.04 Landscape
- C. Section 02811-Underground Irrigation Sleeve and Utility Conduits

**1.3 APPLICABLE STANDARDS**

- A. America Standard for Testing and Materials (ASTM) - Latest edition.
  1. D2241 Poly (Vinyl Chloride) (PVC) Plastic Pipe (SDR-PR)
  2. D2416 Poly (Vinyl Chloride) (PVC) Plastic Pipe Fittings, Thread, Schedule 80
  3. D2455 Poly (Vinyl Chloride) (PVC) Plastic Pipe Fittings, Schedule 40
  4. D2457 Poly (Vinyl Chloride) (PVC) Plastic Pipe Fittings, Socket Type, Schedule 80
  5. D2524 Solvent Cement for Poly (Vinyl Chloride) (PVC) Plastic Pipe and Fittings
  6. D2525 Flexible Poly (Vinyl Chloride) (PVC) Plastic Pipe
  7. D2526 Poly (Vinyl Chloride) (PVC) Solvent Weld Primer
  8. D2527 Flexible Poly (Vinyl Chloride) (PVC) Solvent Weld Primer

**1.4 MAINTENANCE AND GUARANTEE**

- A. Materials and workmanship shall be fully guaranteed for one (1) year after final acceptance.
- B. Provide maintenance of system, including raising and lowering of heads to compensate for lawn growth, cleaning and adjustment of heads, raising and lowering of shrub heads to compensate for shrub growth, for one (1) year after completion of installation.
- C. Guarantee is limited to repair and replacement of defective materials or workmanship, including repair of backfill settlement.

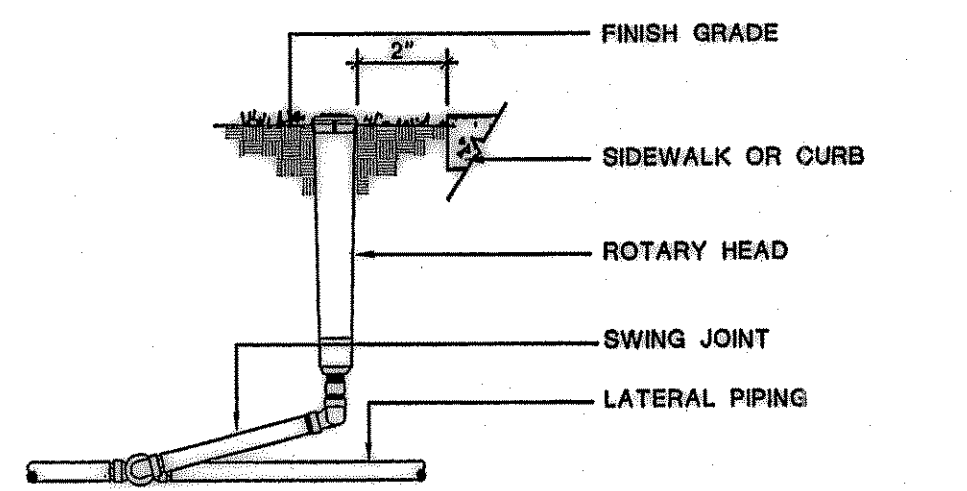
**3.10 TESTING**

- A. **Sprinkler Mains:** Test sprinkler main only for a period of twelve (12) to fourteen (14) hours under normal pressure. If leaks occur, replace joint or joints and repeat test.
- B. **Complete tests prior to backfilling.** Sufficient backfill material may be placed in trenches between fittings to insure stability of line under pressure. In each case, leave fittings and couplings open to visual inspection for full period of test.

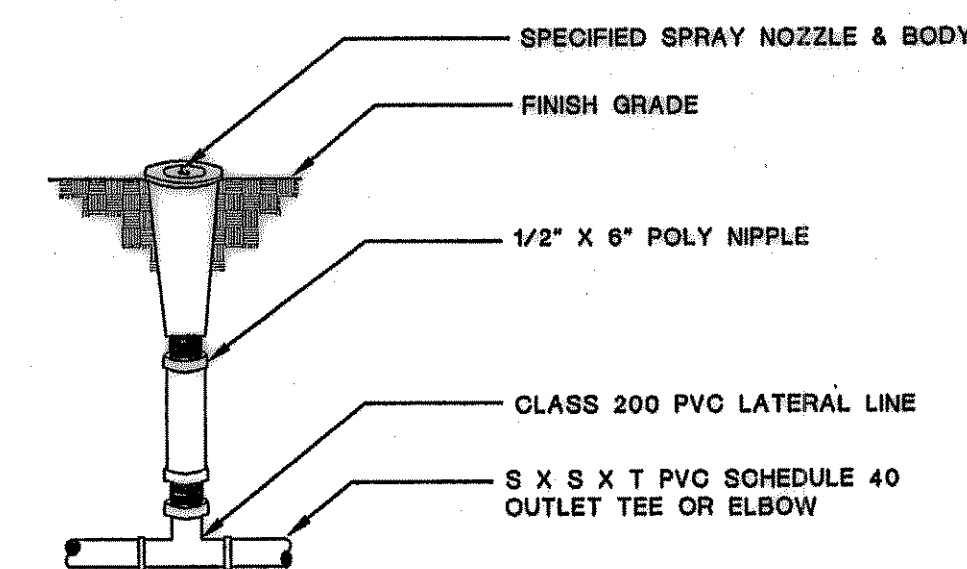
**3.11 FINAL ADJUSTMENT**

- A. After installation has been completed, make final adjustment of sprinkler system in preparation for Landscape Architect's final inspection. Completely flush system to remove debris from lines and turning on system. Check sprinklers for proper operation and proper alignment for direction of flow. Check each section of spray heads for operating pressure and balance to other sections by use of flow adjustment and top of each valve. Check nozzling for proper coverage. Prevailing wind conditions may indicate that each of angle of spray should be other than shown on drawings. In this case, change nozzles to provide correct coverage.

Section 02810 - 01



**01 ROTARY HEAD**  
NOT TO SCALE



**05 POP-UP LAWN SPRAY ASSEMBLY**  
NOT TO SCALE

**1.5 SUBMITTALS**

- A. **Procedure:** Comply with Division I requirements.
- B. **Product Data:** Submit copies of equipment manufacturer's specifications and literature for approval.
- C. **Project Record Documents**
  1. Comply with Division I requirements.
  2. Locate by written dimension, routing of mainline piping, remote control valves and
  3. When dimensioning is complete, transcribe work to mylar reproducible tracings.
  4. Submit completed tracings prior to final acceptance. Mark tracings "Record Prints"
  5. Provide three complete operation manuals and equipment brochures neatly bound in
- D. **Quick Coupler Keys:** Provide 3 coupler keys with boiler drains attached using brass reducer.
- E. **Controller Keys:** Provide two sets of keys to controller enclosure(s).
- F. **Use of materials differing in quality, size, or performance from those specified will only be allowed upon written approval of Owner/Landscape Architect. The decision will be based on comparative ability of material or article to perform in all respects of mechanics and general design considered to be possessed by item specified.**
- G. **Sliders:** Sliders to be used for specified sprinklers shall submit manufacturer's catalog sheet showing full specification of each type sprinkler proposed as a substitute, including discharge in GPM maximum allowable operating pressure at sprinkler.
- H. **Approval of substitute sprinkler shall not relieve Contractor of his responsibility to demonstrate that final installed sprinkler system will operate according to intent of originally designed and specified system.**
- I. **It is the responsibility of the Irrigation Contractor to demonstrate that final installed sprinkler system will operate according to intent of originally designed and specified system.** If Irrigation Contractor notes any problems in head spacing or potential coverage, it is his responsibility to notify the Landscape Architect in writing, before proceeding with work. Irrigation Contractor guarantees 100% coverage of all areas to be irrigated.

**1.6 TESTING**

- A. Perform testing required with other trades, including earthwork, paving, and plumbing, to avoid unnecessary cutting, patching and boring.
- B. **Water Pressure:** Prior to starting construction, determine if static water pressure is as indicated on drawings.

**1.7 COORDINATION**

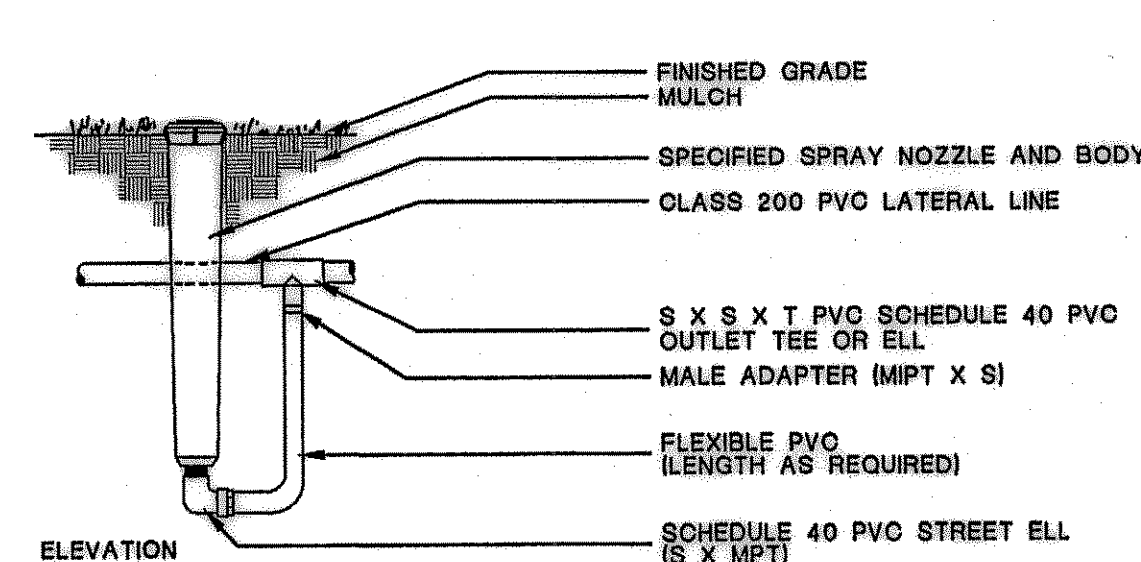
- A. Coordinate installation with other trades, including earthwork, paving, and plumbing, to avoid unnecessary cutting, patching and boring.
- B. Coordinate to ensure that electrical power source is in place.
- C. Coordinate system installation with work specified in other sections and coordinate with Landscape Architect to ensure plant material is uniformly watered in accordance with intent shown on drawings.

**PART 2 - PRODUCTS**

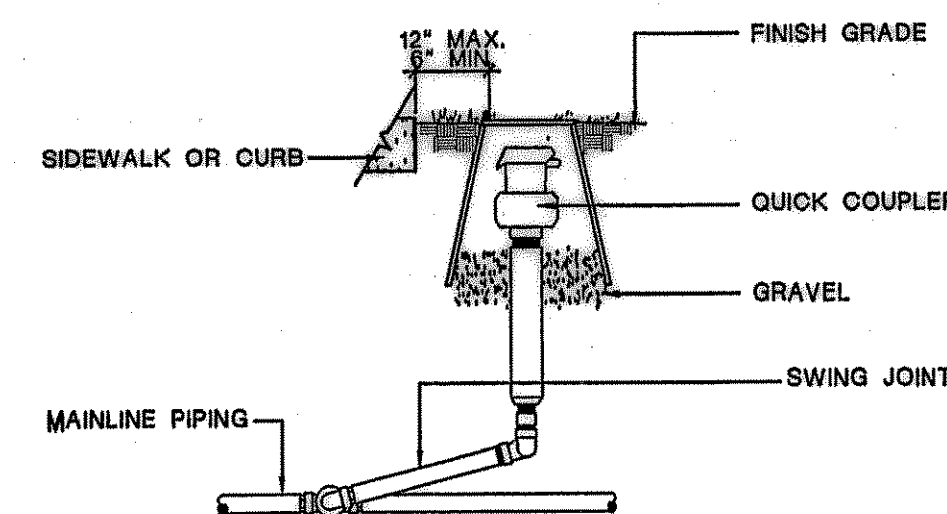
**2.1 GENERAL**

- A. **Mainline:** Piping from water source to operating valves. This portion of piping is subject to surges, being a closed portion of sprinkler system. Hydrant lines are considered a part of sprinkler main.
- B. **Lateral Piping:** Lateral piping is that portion of piping from operating valve to sprinkler heads. This portion of piping is not subject to surges, being an "open end" portion of sprinkler system.

Section 02810 - 02



**02 HIGH POP-UP SPRAY ASSEMBLY**  
NOT TO SCALE



**06 QUICK COUPLER**  
NOT TO SCALE

**2.2 POLY VINYL CHLORIDE PIPE (PVC PIPE)**

- A. PVC pipe shall be manufactured in accordance with commercial standards noted herein.
- B. **Marking and Identification:** PVC pipe shall be continuously and permanently marked with the following information: manufacturer's name, pipe size, type of pipe, and material, SDR number, product standard number, and the NSF (National Sanitation Foundation) logo.
- C. **PVC Pipe Fittings:** Shall be of the same material as the PVC pipe specified and shall be compatible with PVC pipe furnished.

**2.3 COPPER TUBING**

- A. Hard, straight, lengths of domestic manufacture only. No copper tube of foreign extrusion or any so-called irrigation tubing (thin wall) shall be used.

**2.4 COPPER TUBE FITTINGS**

- A. Cast brass or wrought copper, sweat-solder type.

**2.5 WIRE**

- A. Type UF with 4-6" insulation which is Underwriter's Laboratory approved for direct underground burial when used in a National Electric Code Class I Circuit (30 volts AC or less).

**2.6 SCHEDULE 80 PVC NIPPLES**

- A. Composed of Standard Schedule 40 PVC Fittings and PVC meeting noted standards. No unions or wires may be used. Nipples for 180 degree and 90 degree risers to be nominal one-half (1/2") inch diameter by eight (8") inches long, where applicable.
- B. Polyethylene nipples six (6") inches long to be used on all 180 and 90 degree pop-up spray heads.

**2.7 MATERIALS - See Irrigation Plan**

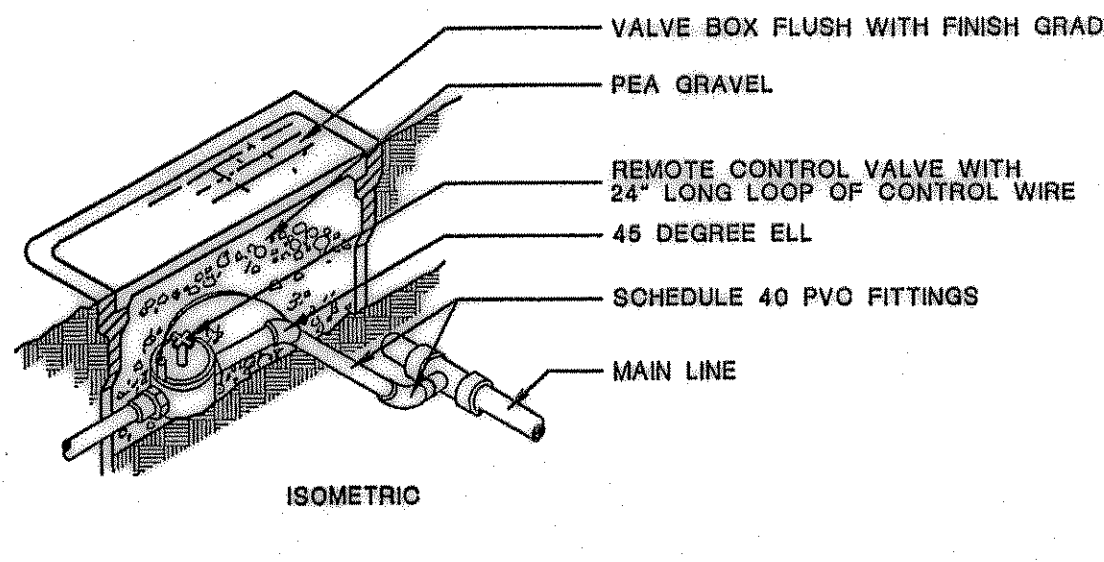
- A. **Sprinkler heads:** In lawn area as specified on plan.
- B. **PVC Pipe:** Class 200, SDR 21
- C. **Copper Tubing (City Connection):** Type "M" 24" View, Size 1/2", Type UF.
- D. **Electric valves:** to be all plastic construction as indicated on plans. Refer to drawing for backflow prevention requirements and flow valve. Coordinate exact location with Landscape Architect.

**PART 3 EXECUTION**

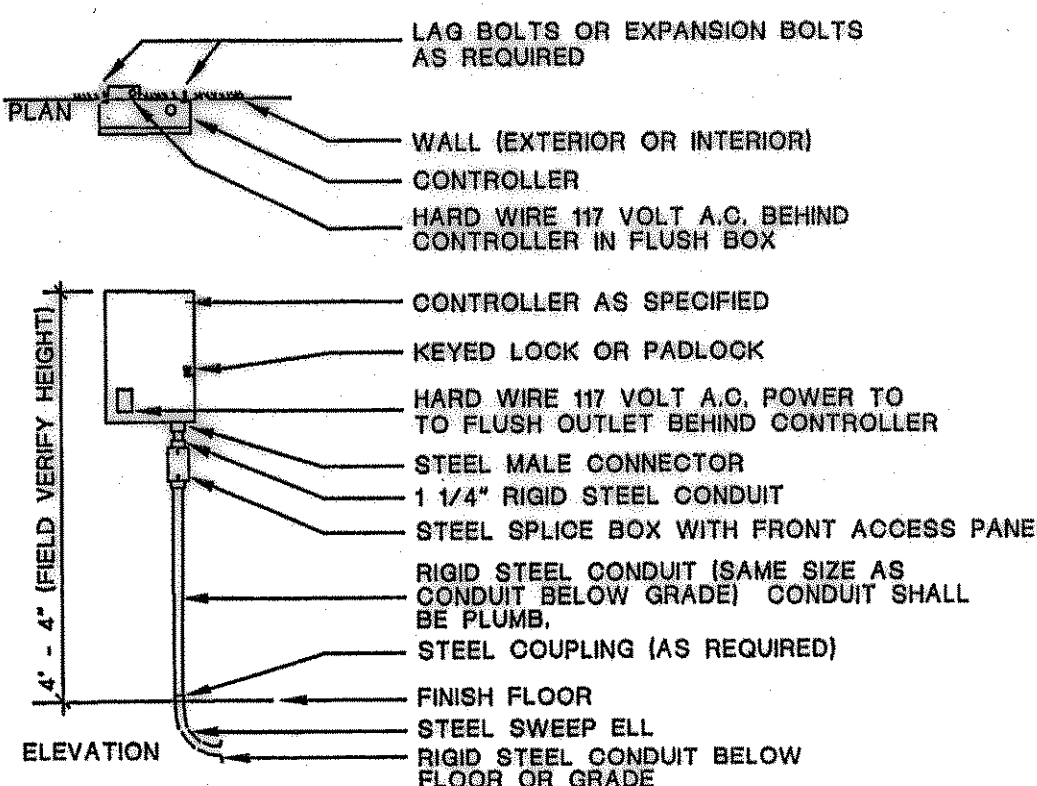
**3.1 INSTALLATION - GENERAL**

- A. **Staking:** Before installation is started, place a stake where each sprinkler is to be located, in accordance with drawings. Staking shall be approved by Landscape Architect before proceeding.
- B. **Excavation:** Excavations are unclassified and include earth, loose rock, rock or any combination thereof, in wet or dry state. Backfill trenches with material that is suitable for compaction and contains no lumps, clods, rock, debris, etc. Special backfill applications, if furnished take preference over this general specification.
- C. **Backfill:** Flood or hand-tamp to prevent after setting. Hand rake trenches and adjoining area to leave grade in as good or better condition than before installation.
- D. **Piping Layout:** Piping layout is diagrammatic. Route piping around trees and shrubs in such a manner as to avoid damage to plantings. Do not dig within ball of newly planted trees or shrubs.

Section 02810 - 03



**03 REMOTE CONTROL VALVE**  
NOT TO SCALE



**07 WALL MOUNTED CONTROLLER**  
NOT TO SCALE

**3.2 PIPE INSTALLATION**

- A. **Sprinkler Mains:** Install a four (4") inch minimum trench with a minimum of eighteen (18") inches of cover.
- B. **Lateral Piping:** Install a four (4") inch wide minimum trench deep enough to allow for installation of sprinkler heads and valves, but in no case, with less than twelve (12") inches of cover.
- C. **Trenching:** Remove lumber, rubbish, and large rocks from trenches. Provide firm, uniform bearing for entire length of each pipe line to prevent uneven settlement. Wedging or blocking of pipe will not be permitted. Remove foreign matter or dirt from inside of pipe before welding, and keep piping clean by approved means during and after laying of pipe.

**3.3 PVC PIPE AND FITTING ASSEMBLY**

- A. **Solvent:** Use only solvent recommended by manufacturer to make solvent-welded joints. Thoroughly clean pipe and fittings of dirt, dust and moisture before applying solvent.
- B. **PVC to metal connection:** Work metal connections first. Use a non-hardening pipe dope such as Permatex No. 2 on threaded PVC adapters into which pipe may be welded.

**3.4 COPPER TUBING AND FITTING ASSEMBLY**

- A. Clean pipe and fitting thoroughly and lightly sand pipe connections to remove residue from pipe. Attach fittings to tubing in an approved manner using 60-65 soft solid core solder.

**3.5 SHRUB SPRAY HEADS (FIXED)**

- A. **Shrub Spray Heads:** Supply in accordance with materials list, with nozzling in accordance with drawings. Drawings indicate size of nozzling and degree of arc. Determine correct degree of arc of nozzle (if conditions warrant) by area to be covered and by wind conditions that may affect coverage.
- B. **Height:** Install heads on PVC Schedule 80 risers sufficiently high to water under shrubs and plants, or as directed by the Landscape Architect.

**3.6 POP-UP SPRAY HEADS**

- A. Supply pop-up spray heads in accordance with materials list and plan. Attach sprinkler to lateral piping with a semi-flexible polyethylene nipple not less than three (3") inches or more than six (6") inches long.

**3.7 VALVES**

- A. Supply valves in accordance with materials list and sized according to drawings. Install valves in a level position in accordance with Manufacturer's Specifications. See plan for typical installation of electric valve, valve box.

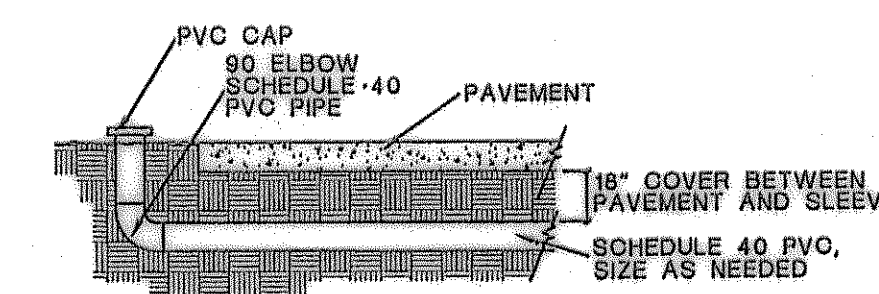
**3.8 WIRING**

- A. Supply wiring from the automatic sprinkler controls to the valves. No conduit will be required for UF wire unless otherwise noted on the plan. Wire shall be tucked under the piping.
- B. A separate wire is required from the control to each electric valve. A common neutral wire is also required from each control to each of the valves served by each particular control.
- C. Bundle multiple wires and tape them together at ten (10') foot intervals. Install ten (10') inch expansion coil at not more than one hundred (100') foot intervals. Make splices waterproof.

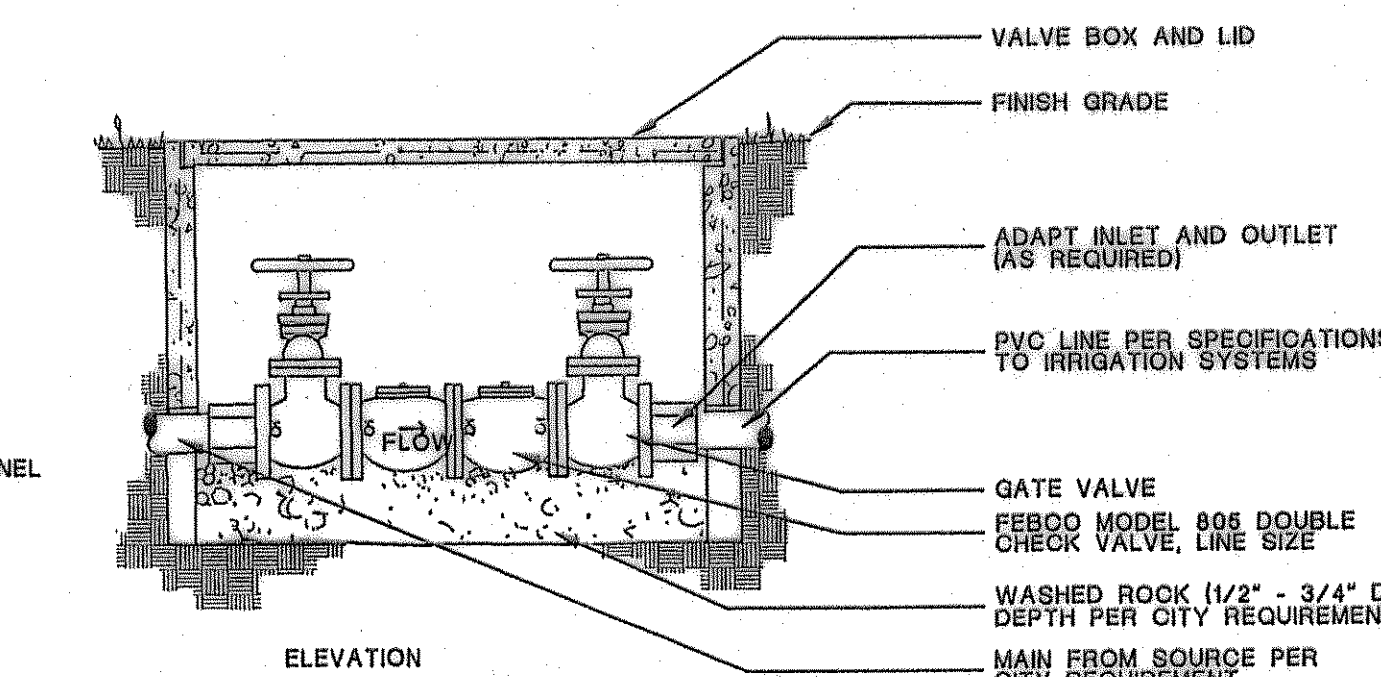
**3.9 AUTOMATIC SPRINKLER CONTROLS**

- A. Supply in accordance with Irrigation Plan. Install according to manufacturer's recommendations.

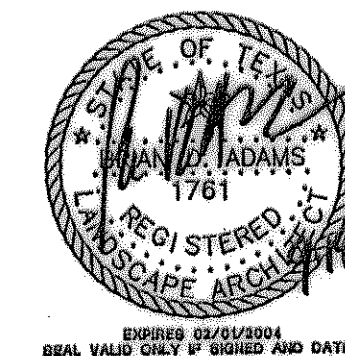
Section 02810 - 04



**04 SLEEVE DETAIL**  
NOT TO SCALE



**08 BACKFLOW PREVENTER**  
NOT TO SCALE



**AS BUILT**  
DATE 3-3-04

**smr**  
landscape architects, inc.  
1708 N. Griffin Street  
Dallas, Texas 75202  
Tel 214.871.0545  
Fax 214.871.0545  
Email smr@smr-la.com

REV.	DATE	REMARKS
2	05/18/03	ISSUE FOR CONSTRUCTION
1	4/09/03	SITE PLAN CHANGES

**IRRIGATION SPECS AND DETAILS**

LOT 7R, BLOCK A  
HORIZON RIDGE ADDITION  
THE CITY OF ROCKWALL, TEXAS

LAWRENCE A. CATES & ASSOC., INC. CONSULTING ENGINEERS  
14200 MIDWAY ROAD, SUITE 122 (972) 385-2272 DALLAS, TEXAS

DESIGN	DRAWN	DATE	SCALE	NOTES	FILE	NO.
BDA	DJV	03/14	1"=20'			L2.02