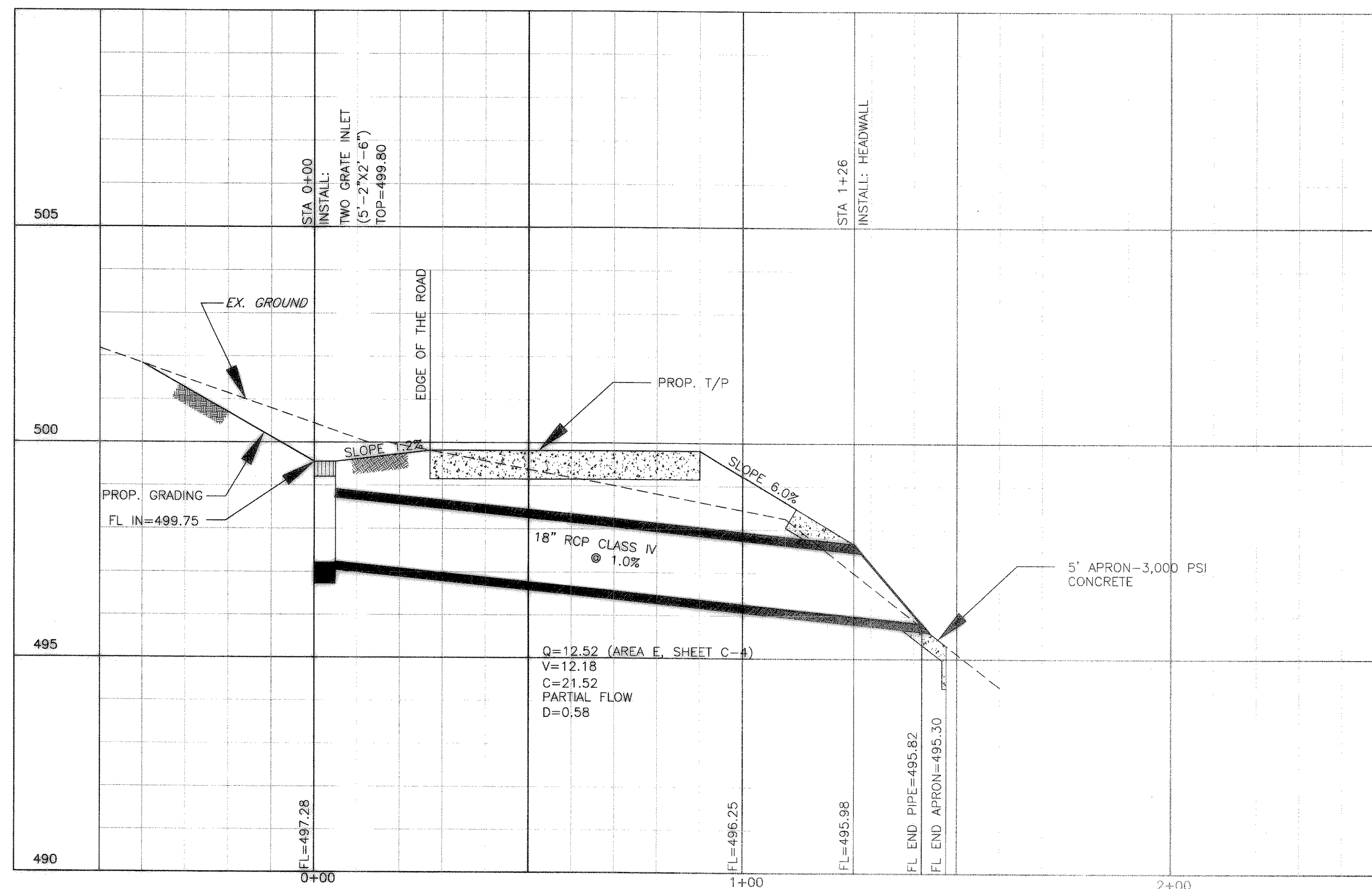
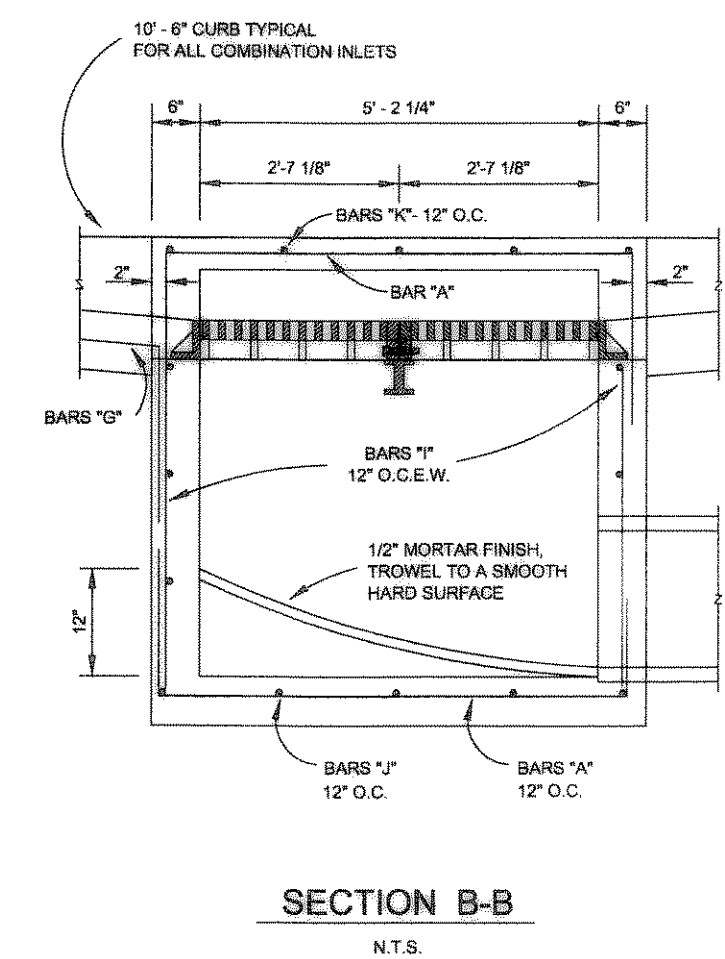
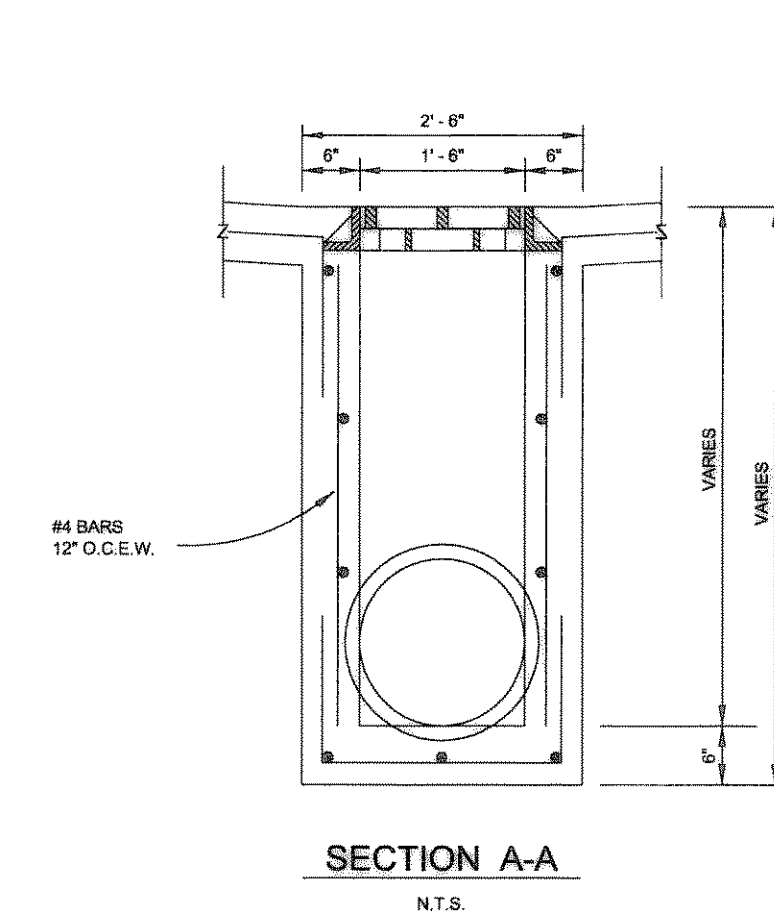
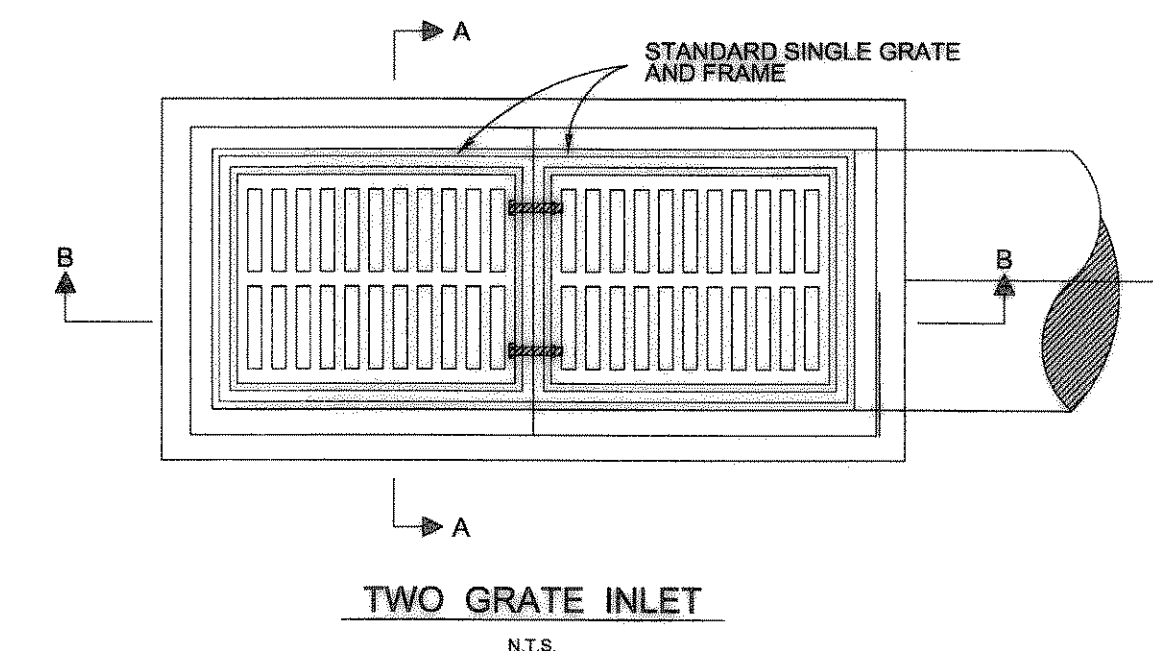


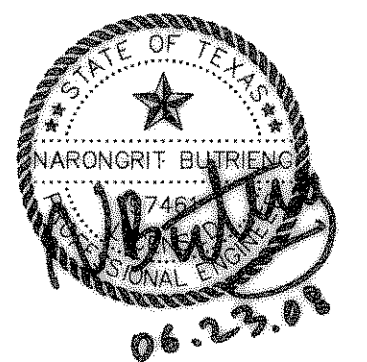
**LEGEND :**

	PROPERTY LINE
	PROPOSED CONTOUR
	EXISTING CONTOUR



**AS BUILT**

THIS IS TO CERTIFY THAT CHANGES AND CORRECTIONS HAVE BEEN MADE TO CONFORM TO THE CONTRACTOR'S RECORD OF THIS PROJECT.



CULVERT PLAN AND PROFILE						
HORIZON RIDGE MEDICAL PARK						
CITY OF ROCKWALL, TEXAS						
PSA ENGINEERING						
17819 DAVENPORT ROAD, SUITE 215 DALLAS, TX 75252 (972) 248-9651						
DESIGN	DRAWN	DATE	SCALE	CHECK	FILE	NO.
PSA	PSA	06/23/08	AS SHOWN	PSS	2616.HRM	C-10.A

AS BUILT