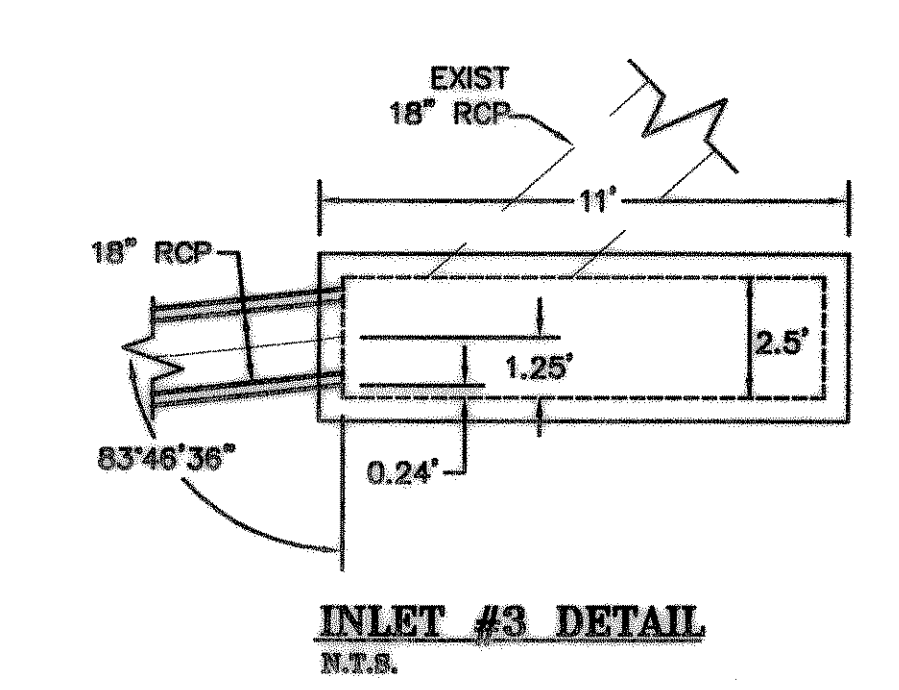
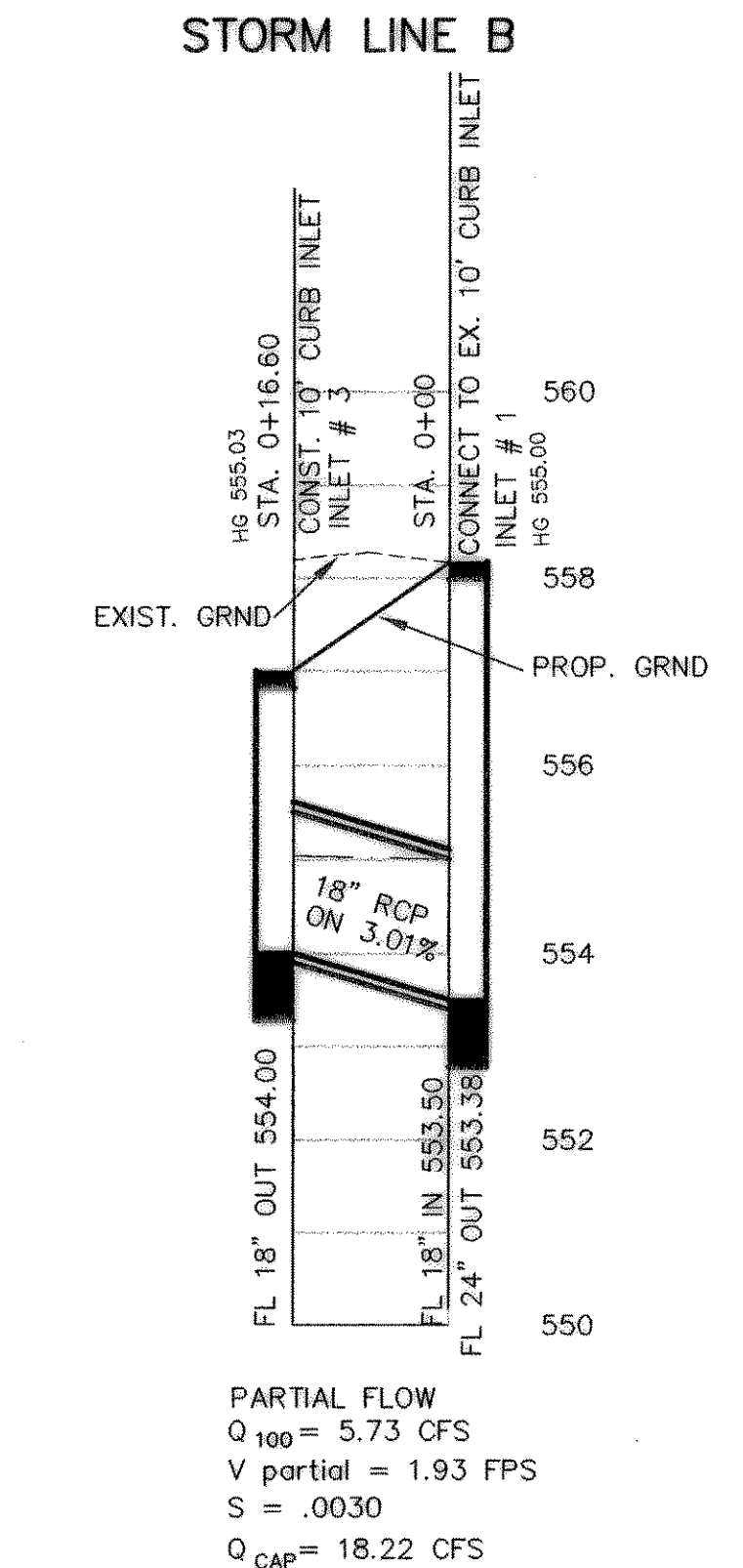
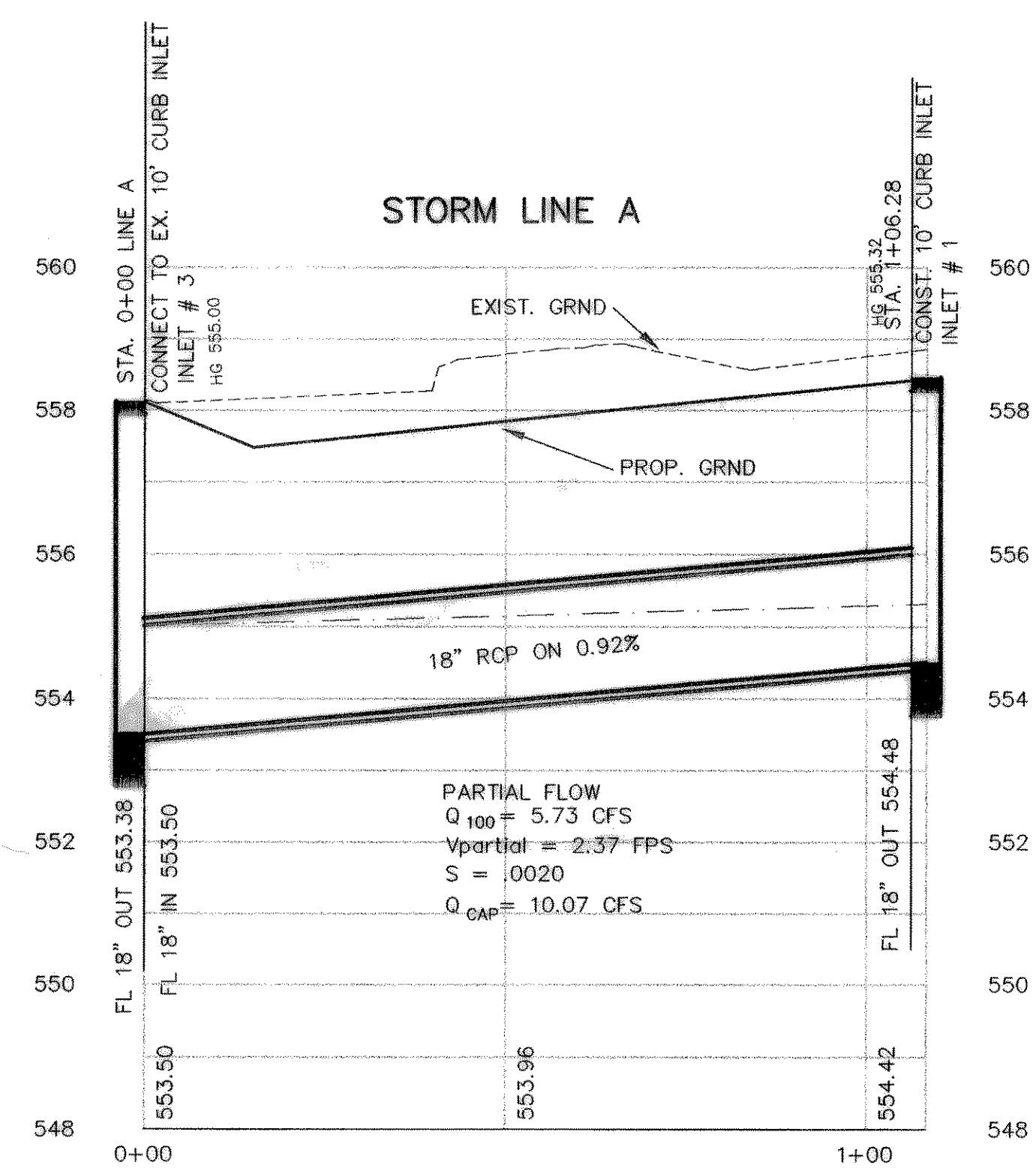
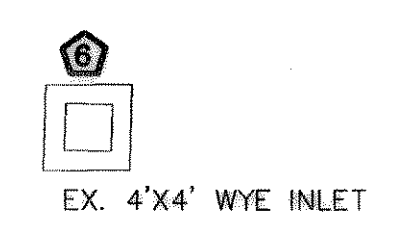


HYDRAULIC DATA

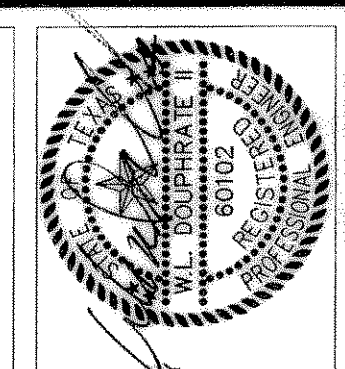
PROJECT	0031	Box	DESIGN	Pipe	CAP	FULL	PARTIAL	PARTIAL	FLOW	Flow	Flow	FULL	DESIGN	HGL	HGL				
From	To	Length	Height	Width	Q100	Size (in)	Q100	V	V	FLOW %	CHT. No.	K1	R(ft)	R ² /3	Area	S	S	Rise	Number
STM A	106.28	0	106.28		5.73	18	10.08	3.24	2.37	1.09	0.73		0.3750	0.5200	1.7671	0.0030	0.0092	0.3162	555.00
STM B	16.60	0	16.6		4.68	18	18.22	2.65	1.93	1.09	0.73		0.3750	0.5200	1.7671	0.0020	0.0301	0.0330	555.00



REVISED TO CONFORM TO CONSTRUCTION RECORDS.

[Signature] DATE: 7/17/02

F.M. ROAD NO. 3097 - HORIZON ROAD



DOUPHRADE & ASSOCIATES, INC.
ENGINEERING - PROJECT MANAGEMENT - SURVEYING
2235 RIDGE RD., # 200 ROCKWALL, TEXAS 75087
PHONE: (972)771-9004 FAX: (972)771-9005

**STORM SEWER
HORIZON CARWASH ADDITION
CITY OF ROCKWALL
ROCKWALL COUNTY, TEXAS**

REVISIONS PER CITY COMMENTS 6/28/01
REVISIONS PER CLIENT COMMENTS 4/04/02
REVISION
W.L.D.
CHECKED
K.E.B.
DRAWN
5-01
DATE
0031STM
PROJECT
5
OF

M:\projects\0031\0031stm.dwg 07/19/02 02:57:44 PM CDT