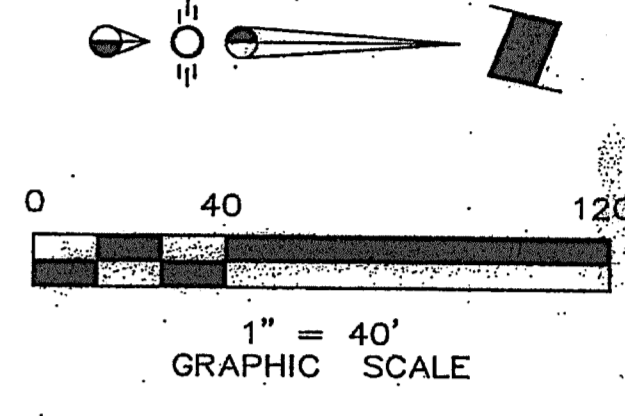


Note:
All Car Wash Drainage is
Internal To The Building and
Shall be Self-Contained.



Reference C4 For All Grading
Within TxDOT R.O.W.

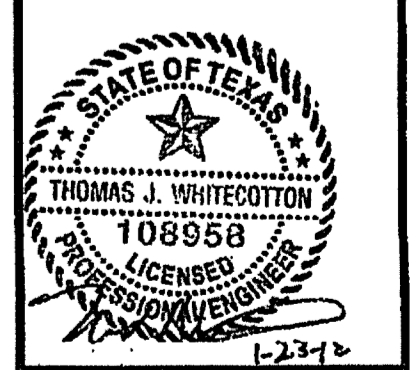
DATE	BY	NO.	DATE	REVISION	BY
01-23-12	TJW				
01-23-12	TJW				
01-23-12	TJF				

FALFOLSKO ENGINEERING, INC.
Structural Engineering Consultants
Texas Registered Engineering Firm: # F-4038
1414 West Randal Mill Road
Suite 201 76012
Arlington, Texas
Metro (817) 261-8300

The user of these plans and specifications shall be responsible for obtaining all necessary permits and for providing all necessary information for the reproduction or distribution of these plans. Any other reproduction, use, or distribution of these plans, in whole or in part, is prohibited. This document contains proprietary information and is the property of FALFOLSKO ENGINEERING.

SITE PLAN
ROCKWALL ADDITION
OFF I-30 NEAR TOWNSEND DRIVE
ROCKWALL, TEXAS

ERWS, INC.
EULESS, TEXAS
ERWS JOB NO. 110209



JOB NO. 459.11

SP1