

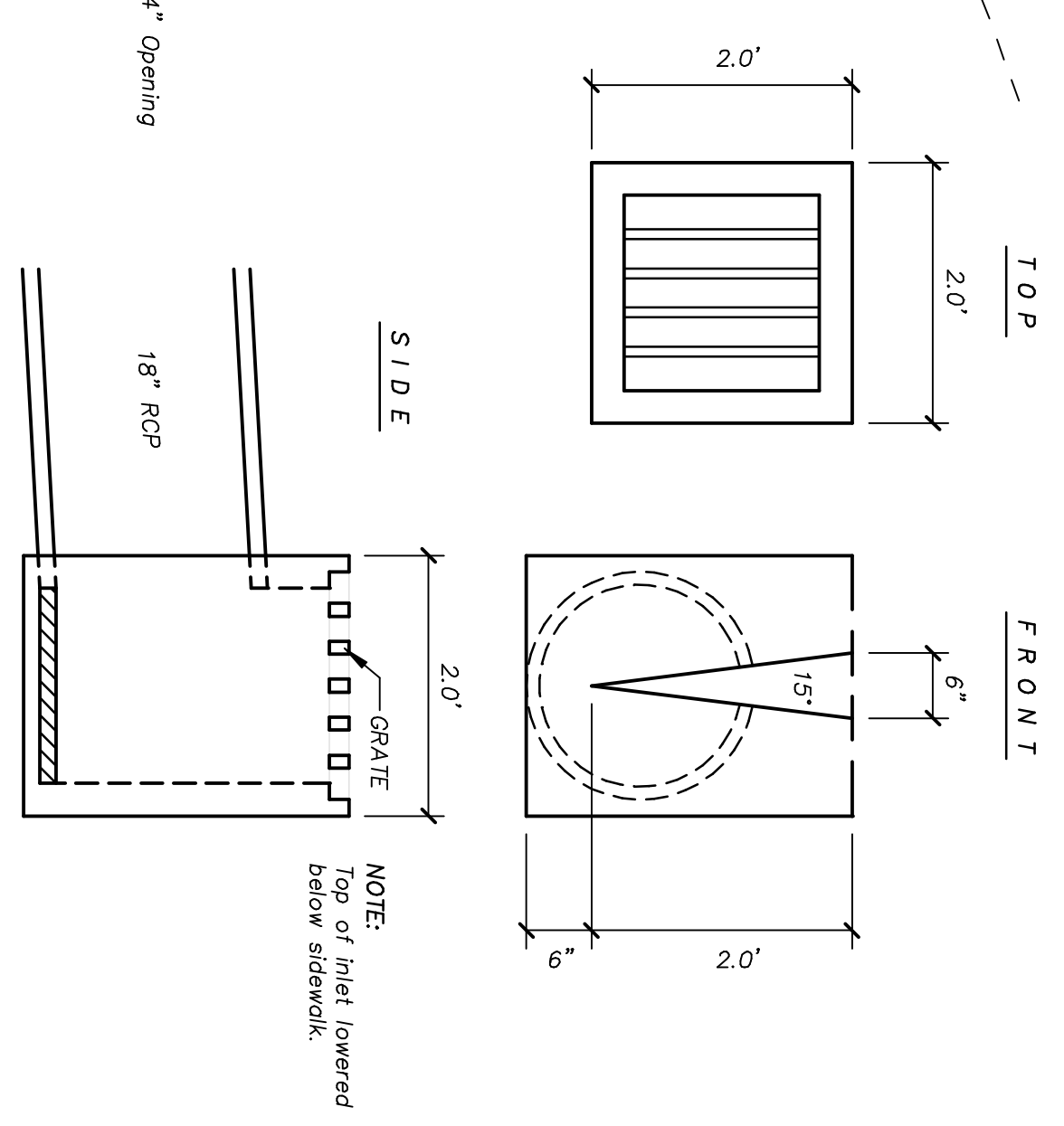
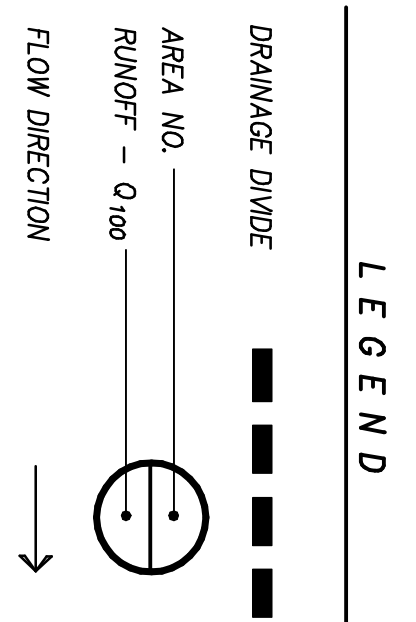
LOT 1, BLOCK 4
HOME DEPT. ADDITION
REVISION FOUND &
REMARKS EXHIBIT

THIS LOT IS TO BE GRADED TO PROPOSED "A" INLET PER SHEET G2 OF ROCKWALL MARKET CENTER SOUTH PLANS BY PSA ENGINEERING (DATED 12-13-10).

Station	Grade	Description
0+00	F.L. 18" 535.60	0+00 LINE "A" CONNECT TO EX. 48" RCP
0+53.38	F.L. 18" 534.354	0+53.38 LINE "A" EX. 6" S.S. $P = 0.08$
1+40	F.L. 18" 536.30	1+40 LINE "A" P.I.
1+77.34	F.L. 24" 541.50	1+77.34 LINE "A" CONST. 2 1/2' x 2.5' OUTFALL STRUCTURE WITH 10" V NOTCH ON THE EAST SIDE

AREA NO.	AREA (AC)	TC (MIN)	C	I/N/HR	C.F.S.	DRAINS TO
1	0.38	10	0.90	9.80	3.35	High Hill
2	0.59	10	0.90	9.80	5.20	Market Center
3	0.07	10	0.90	9.80	0.62	Existing Well

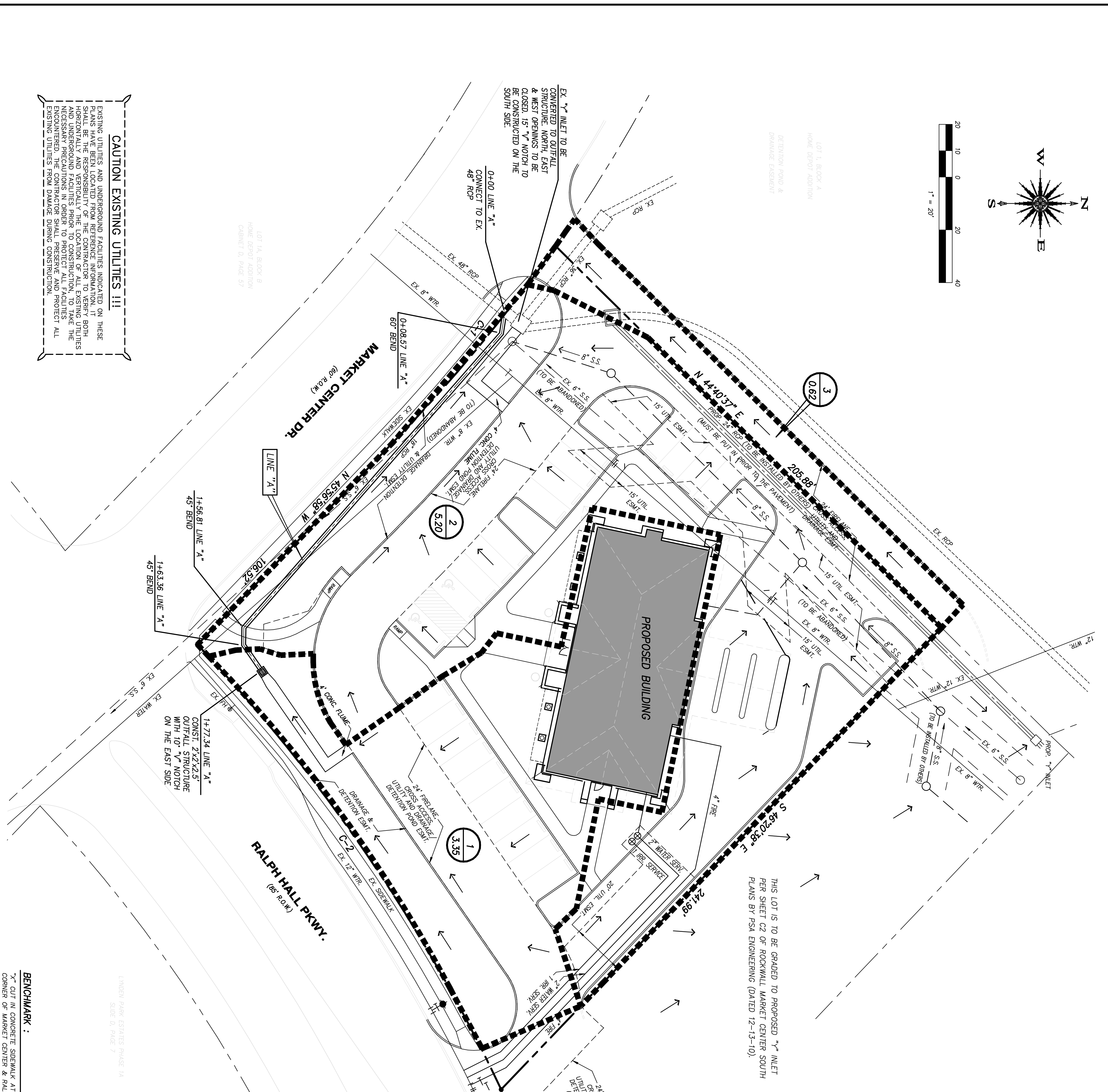
NOTE: ALL DRAINAGE STRUCTURES SHALL BE A MINIMUM OF 4,200 PSI (MIN. 6.5 SACK).



10" V NOTCH OUTFALL STRUCTURE
Market Center

CONSTRUCTION RECORD DRAWINGS JUNE 2011
This drawing is proprietary and may not be copied or used in any way without the written permission of F.C. Cuny Corporation. Copyright © 2011 F.C. Cuny Corporation.

CAUTION EXISTING UTILITIES !!!
EXISTING UTILITIES AND UNDERGROUND FACILITIES INDICATED ON THESE PLANS HAVE BEEN LOCATED FROM REFERENCE INFORMATION. IT IS THE RESPONSIBILITY OF THE CONTRACTOR TO VERIFY THE LOCATION, DEPTH, AND CHARACTER OF ALL UTILITIES AND UNDERGROUND FACILITIES PRIOR TO CONSTRUCTION. TO TAKE THE NECESSARY PRECAUTIONS IN ORDER TO PROTECT ALL UTILITIES AND UNDERGROUND FACILITIES FROM DAMAGE DURING CONSTRUCTION.



BENCHMARK: "X" CUT IN CONCRETE SIDEWALK AT NORTHEAST CORNER OF MARKET CENTER & RALPH HALL
ELEV. 542.19

<p>THE SEAL, APPEARING ON THIS DRAWING, IS THE PROPERTY OF F.C. CUNY CORPORATION AND IS LOANED TO YOU BY THE CORPORATION. IT IS NOT TO BE REPRODUCED OR COPIED IN ANY MANNER WITHOUT THE WRITTEN PERMISSION OF F.C. CUNY CORPORATION.</p> <p>F.C. CUNY CORPORATION 65642 1500 STEVENSON ST. SUITE 7 ROCKWALL, TEXAS 75087 F-7449 6-12-2011</p>	<p>~ Civil Engineer ~ F.C. CUNY CORPORATION #2 Horizon Court • Heath, Texas 75032 • (469) 402-7700 Texas Registered Engineering Firm F-7449</p>	<p>Homebank Rockwall, Texas</p>	<p>Owner: Homebank P.O. Box 909 • Seagoville, Texas • 75159 Phone: 972-287-2030 Fax: 972-287-2476</p>	<p>Revision</p> <p>Date</p> <p>Description</p>
<p>Drawn By: F.C. CUNY Checked By: F.C. CUNY Date: 06/11 Project No.: Sheet Title: Drainage Plan</p>	<p>Scale: 1" = 20'</p> <p>Sheet No.: 7 of 9</p>			