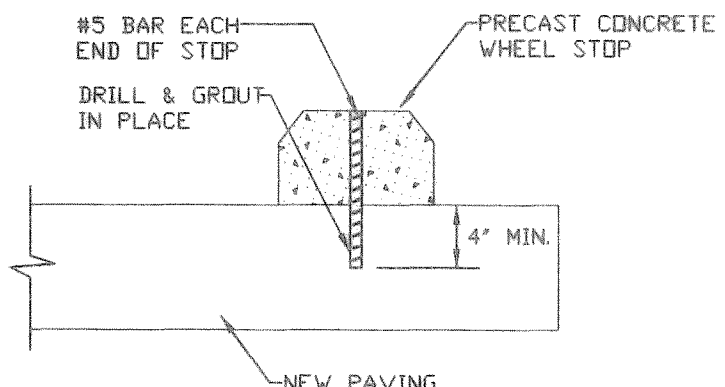
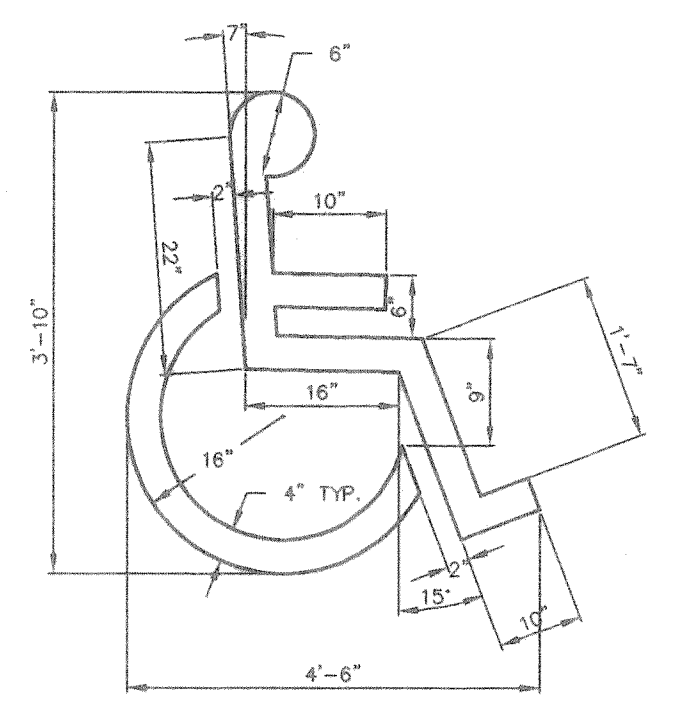


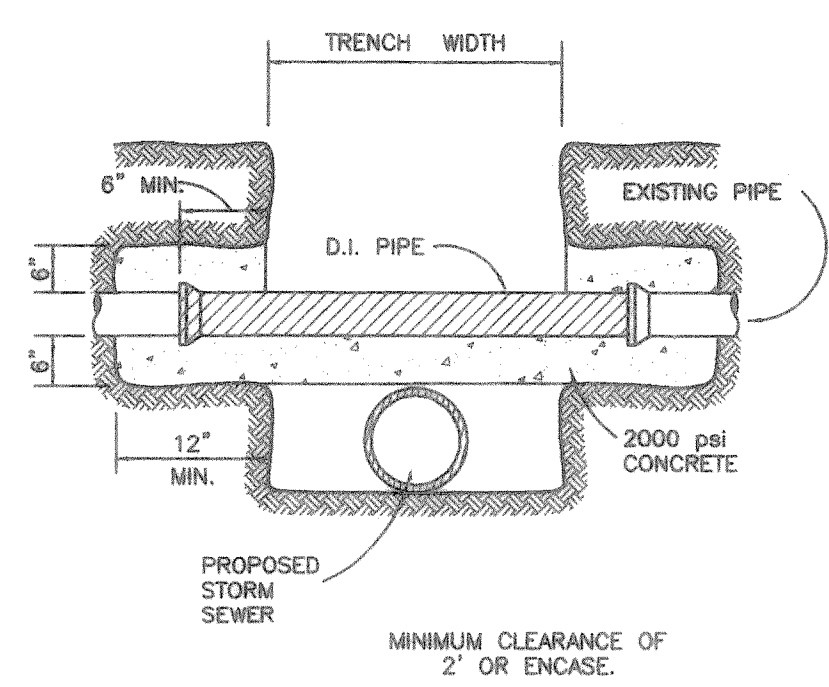
PAVEMENT CONNECTION DETAIL
N.T.S.



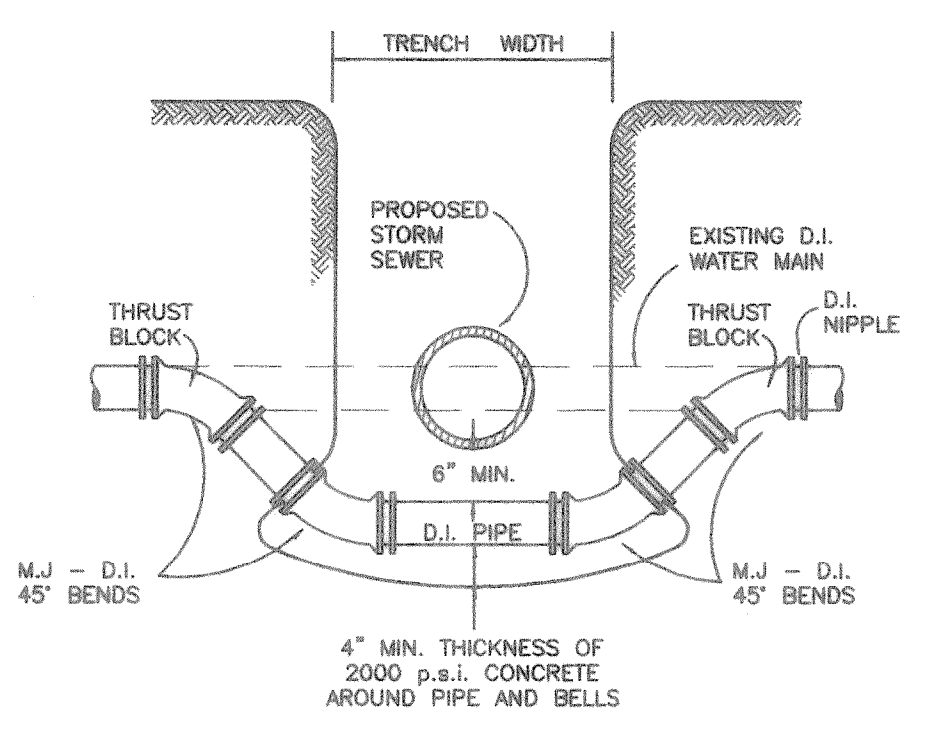
WHEEL STOP DETAIL
N.T.S.



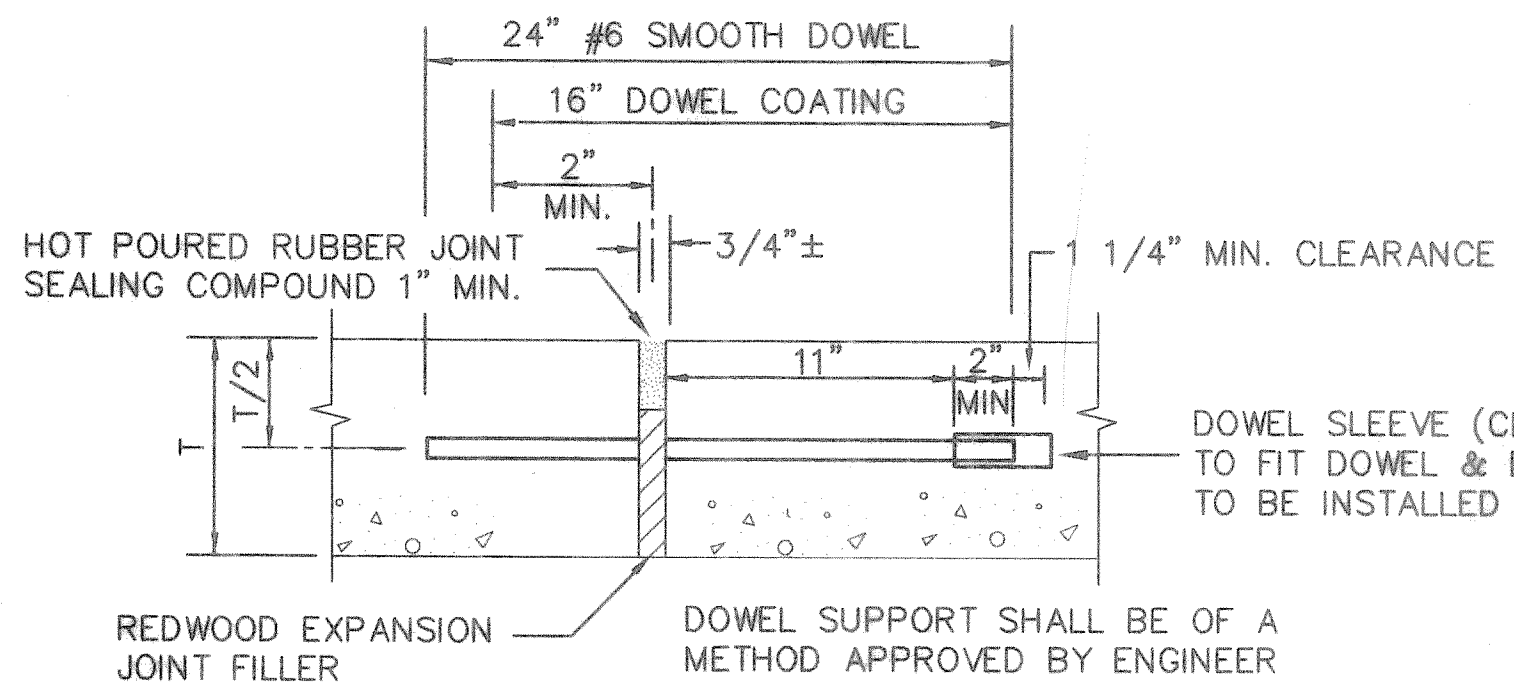
HANDICAPPED PARKING SPACE SYMBOL
N.T.S.
SEE SPACES DESIGNATED "H" OR "H"



DETAIL OF UTILITY SUPPORT
N.T.S.



DETAIL FOR WATER MAIN LOWERING
N.T.S.

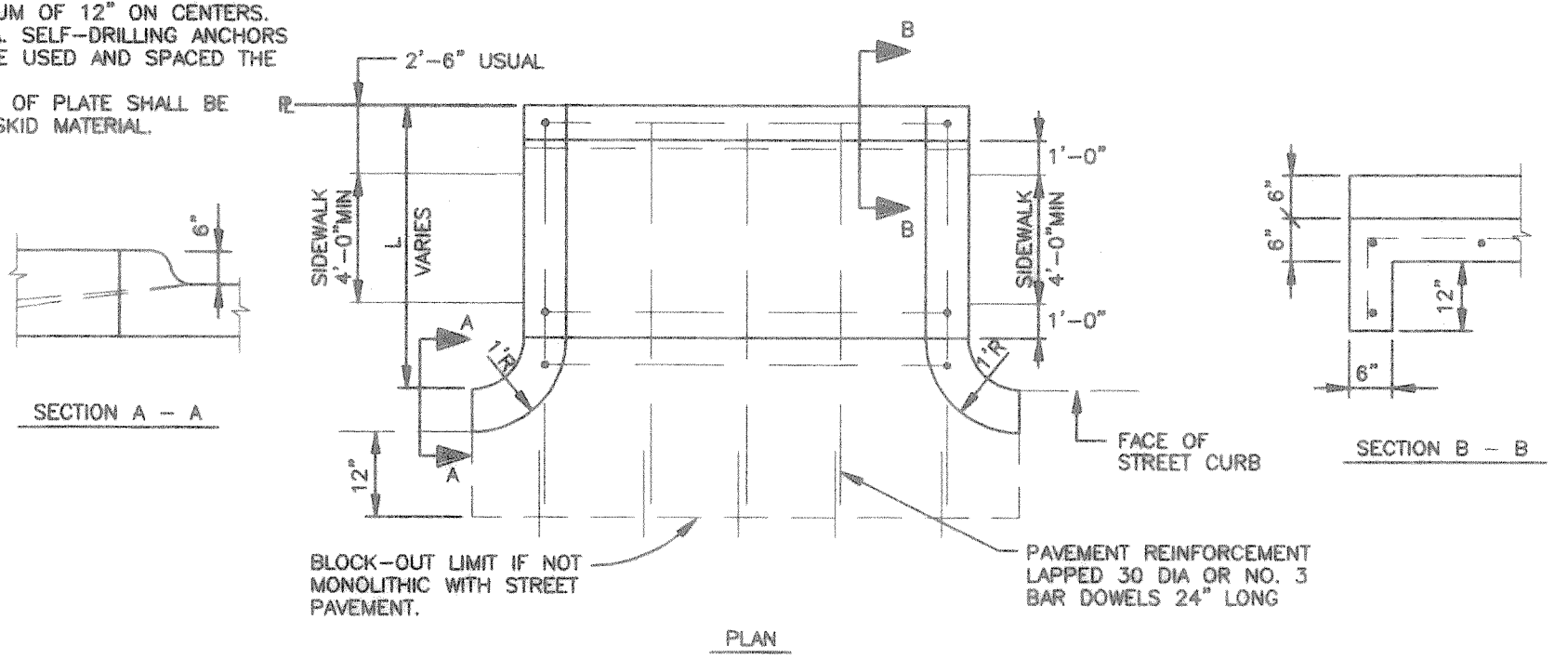
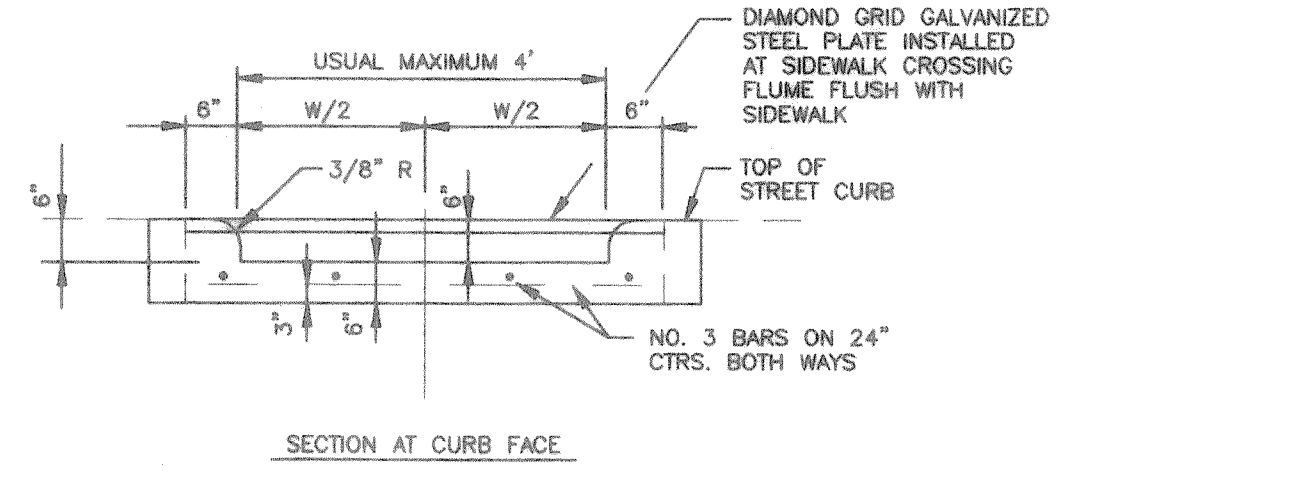


TYPICAL EXPANSION JOINT
MAX. SPACING = 60" O.C.E.W.
N.T.S.

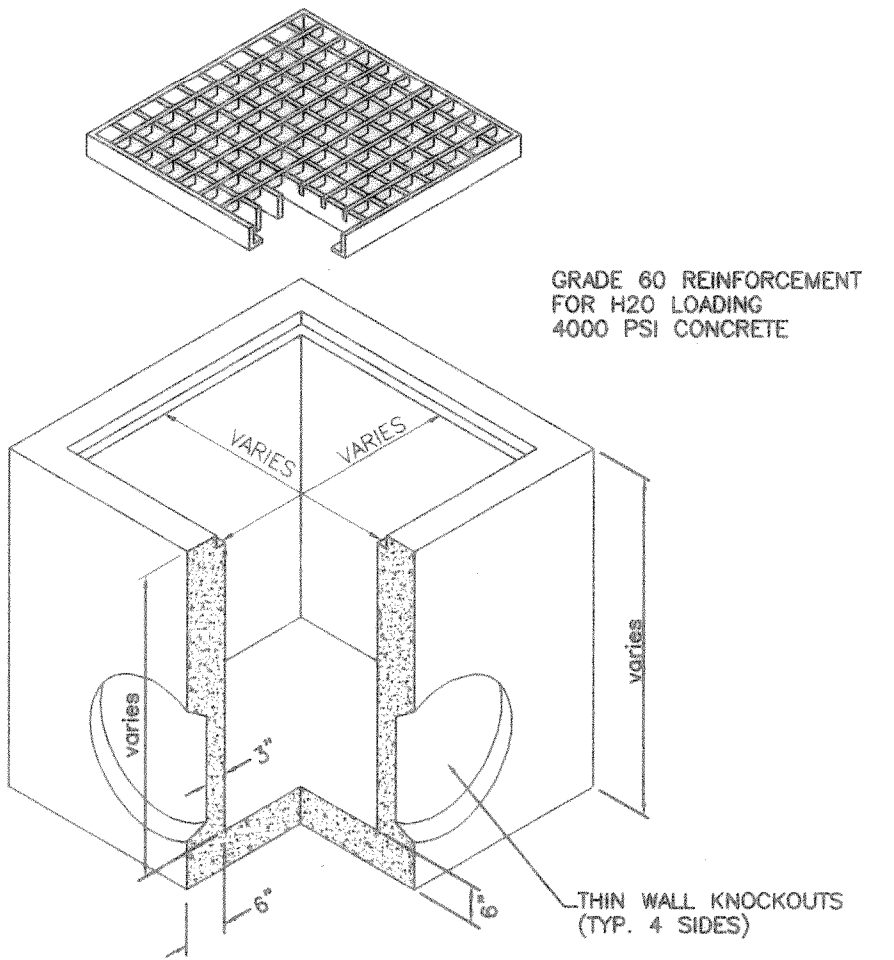
STEEL PLATE FLUME COVER

SPAN FEET	PLATE THICKNESS INCHES
4	1/2"
6	5/8"
8	3/4"
10	7/8"

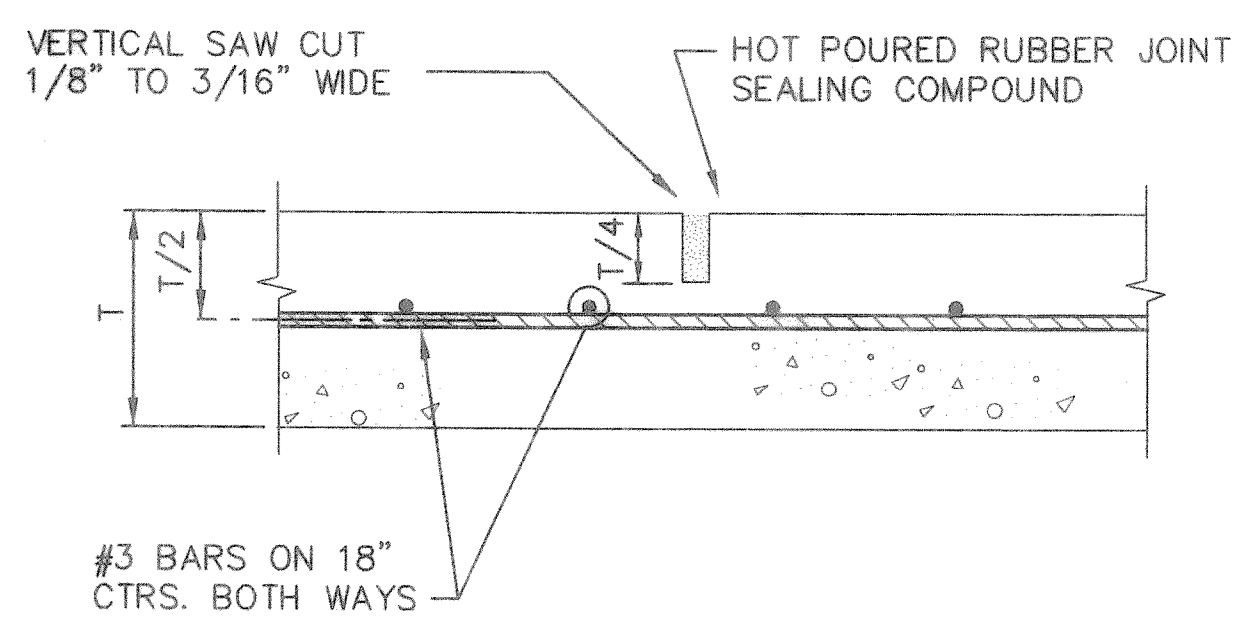
BASED ON 100 P.S.I. LIVE LOAD AND MAX. DEAD & LIVE LOAD DEFLECTION OF L/240 BOLT PLATE DOWN WITH BRASS BOLTS. BOLTS SHALL BE 1/2" DIA. RECESSED TO FLUSH WITH TOP OF PLATE AND SPACED A MAXIMUM OF 12" ON CENTERS. 1/2" DIA. SELF-DRILLING ANCHORS SHALL BE USED AND SPACED THE SAME. SURFACE OF PLATE SHALL BE A NON-SKID MATERIAL.



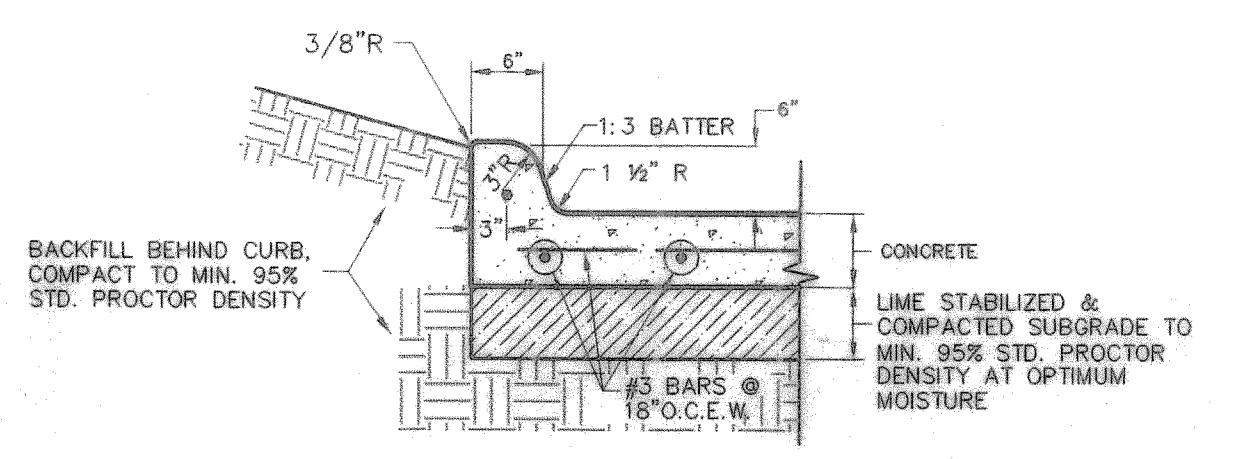
PARKING LOT FLUME
N.T.S.



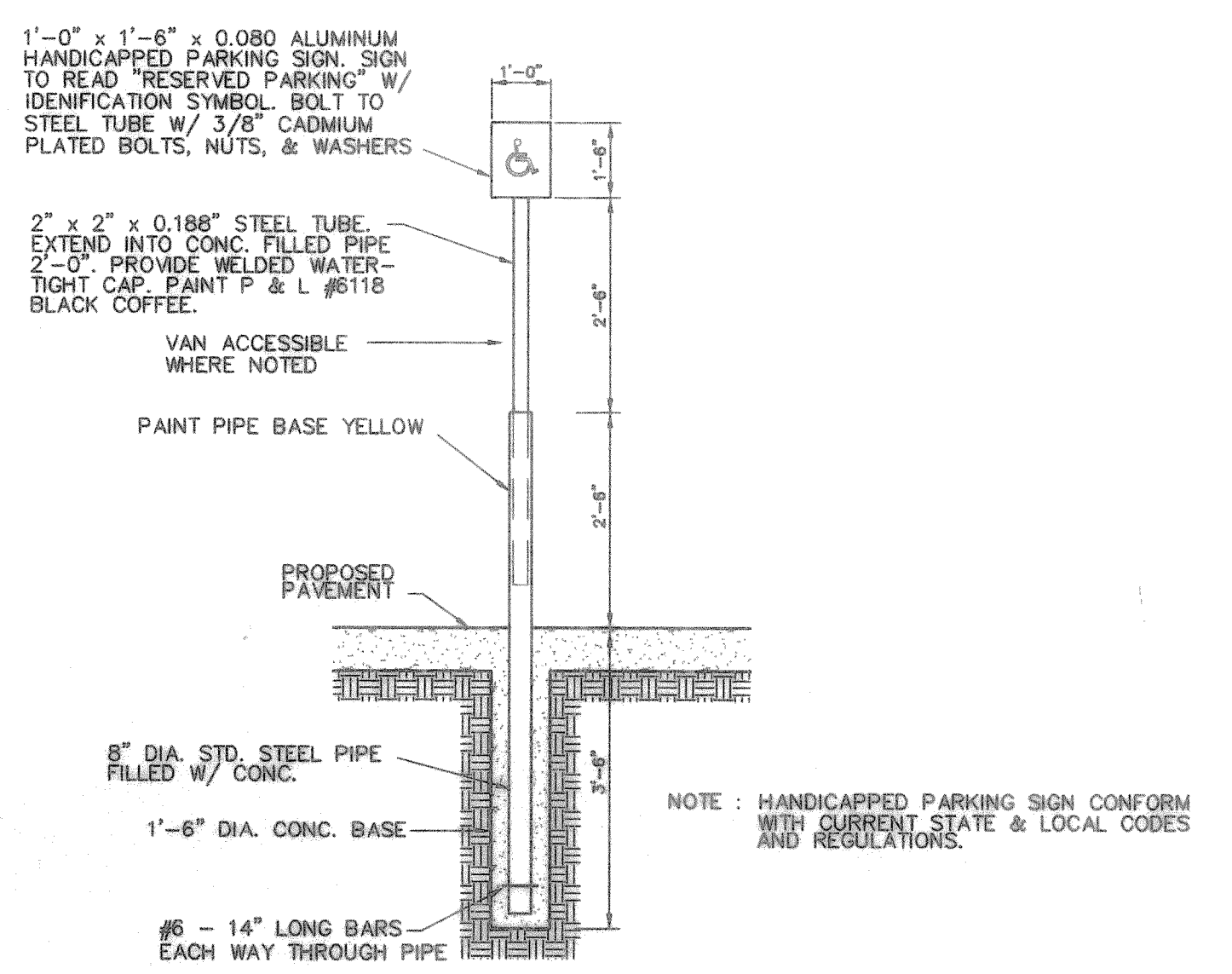
SURFACE GRATE INLET
N.T.S.



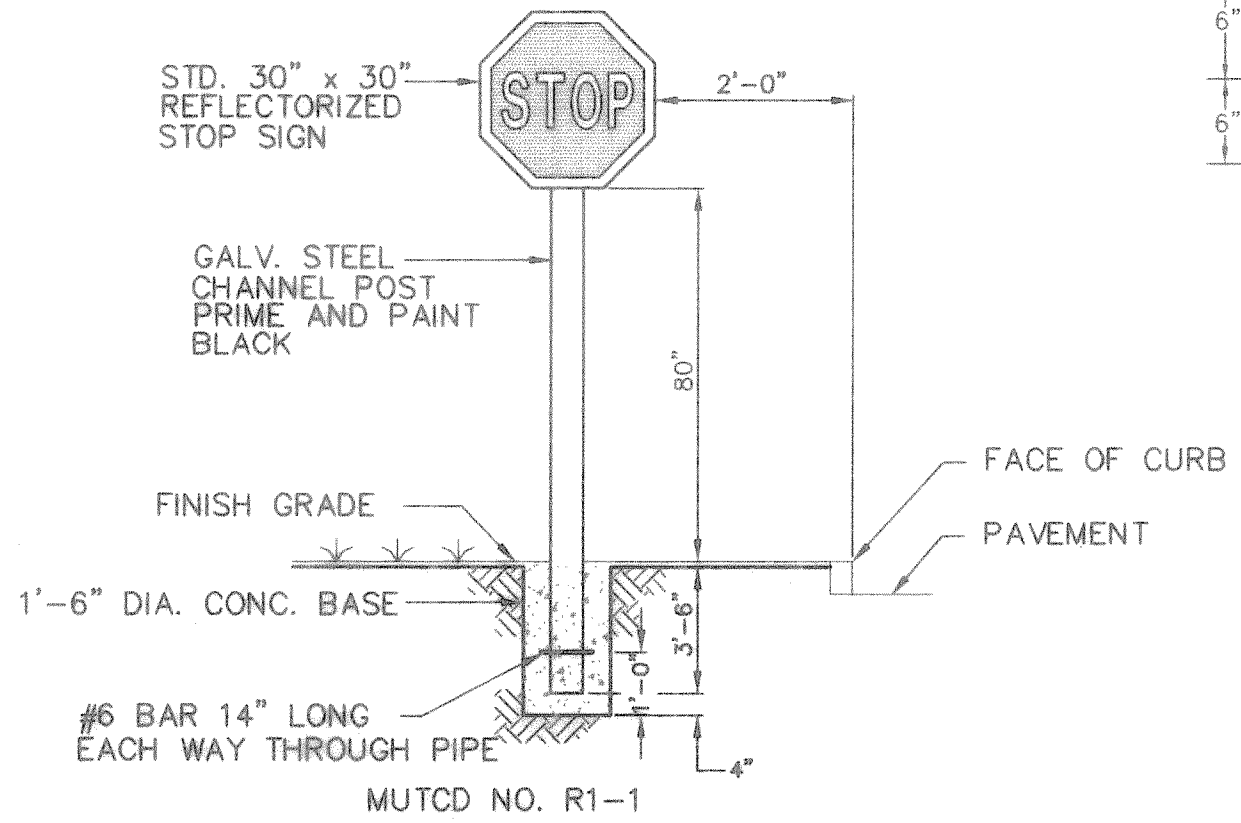
SAWED DUMMY JOINT
MAX. SPACING = 15" O.C.E.W.
N.T.S.



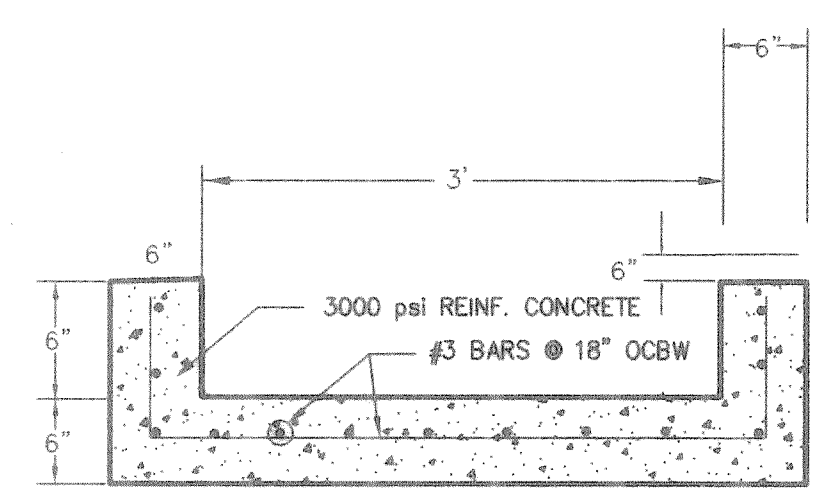
TYPICAL CONCRETE PAVEMENT AND INTEGRAL CONCRETE CURB SECTION
N.T.S.



HANDICAPPED SIGN DETAIL
N.T.S.



STOP SIGN DETAIL
N.T.S.



CONCRETE PILOT CHANNEL
N.T.S.

REVISION

APPROV. **Winkelmann & Associates, Inc.**
CONSULTING CIVIL ENGINEERS & SURVEYORS
REGISTERED PROFESSIONAL ENGINEERS
STATE OF TEXAS
MICHAEL D. CLARK
63280

E.P. GAINES CHSJM SURVEY ABST. No. 64
CITY OF ROCKWALL
ROCKWALL COUNTY, TEXAS
HOME DEPOT, U.S.A., INC.
2800 FOREST LANE
DALLAS, TEXAS 75234

CIVIL DETAILS
HOME DEPOT - ROCKWALL

Scale: 1" = 50'
Date: 8/15/97
Designed By: M.D.C.
Drawn By: R.D.L.
Checked By: M.D.C.
File: 07939CIV.DWG
Project No.: 07939.01(20)

SHEET
C-17
OF

ASBUILT
Winkelmann & Associates, Inc. hereby states that this plan, to the best of our knowledge is "As Built." Modifications from the originally approved construction documents have been made as per information provided by the contractor. Winkelmann & Associates, Inc. does not certify as to the correctness or quality of construction as no field inspection was performed.
Michael D. Clark 5.13.98
WINKELMANN & ASSOCIATES, INC. DATE