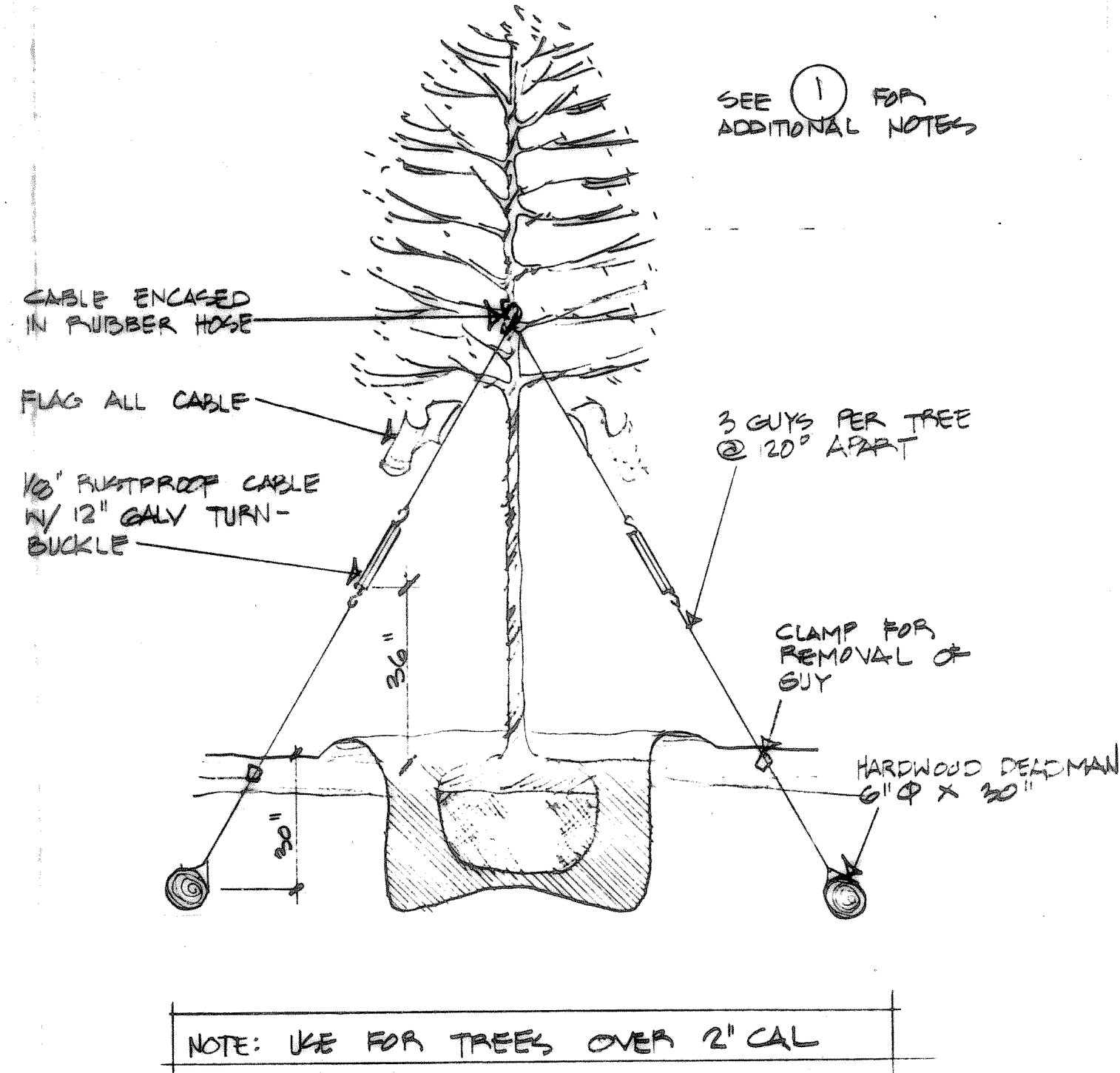
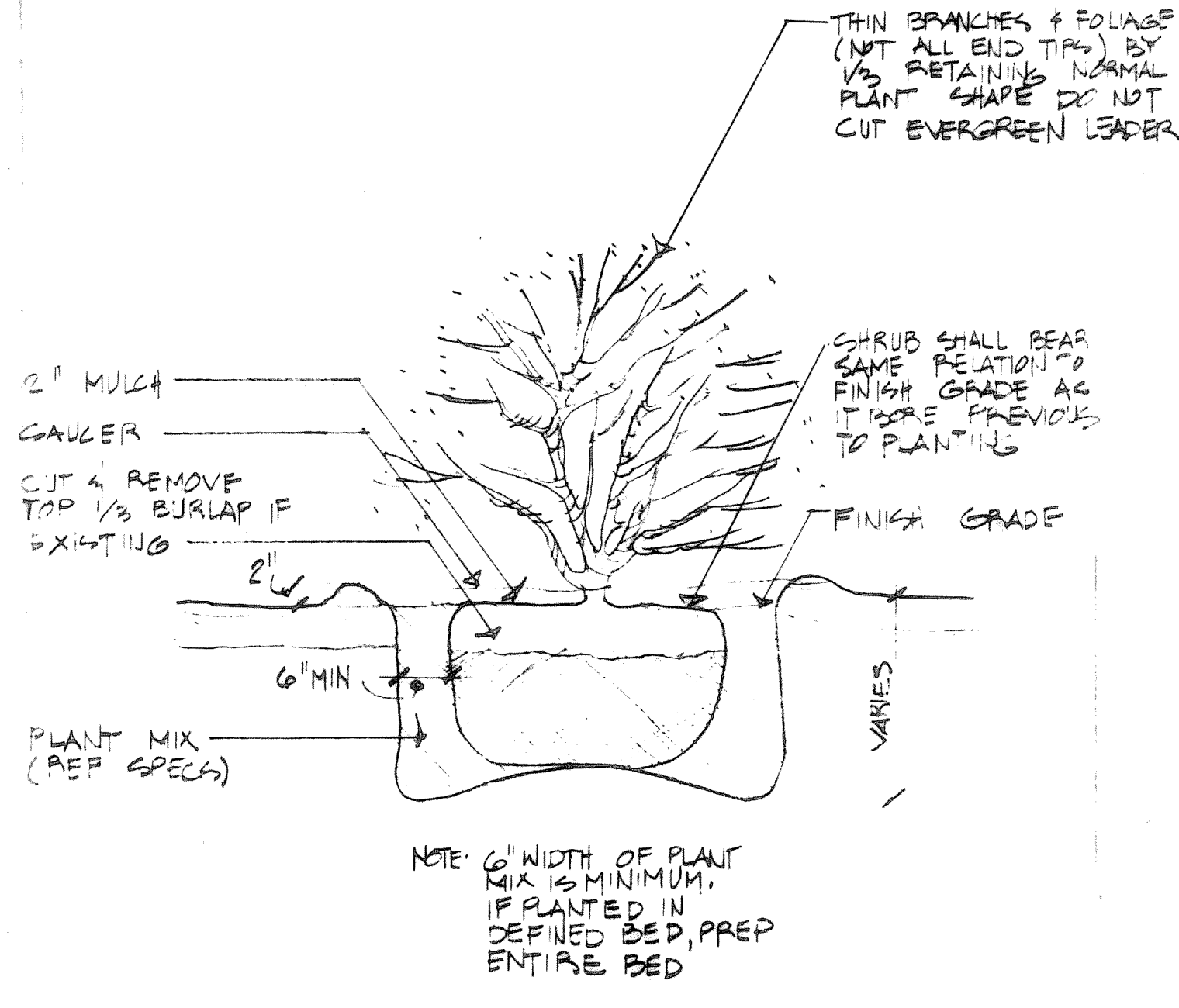


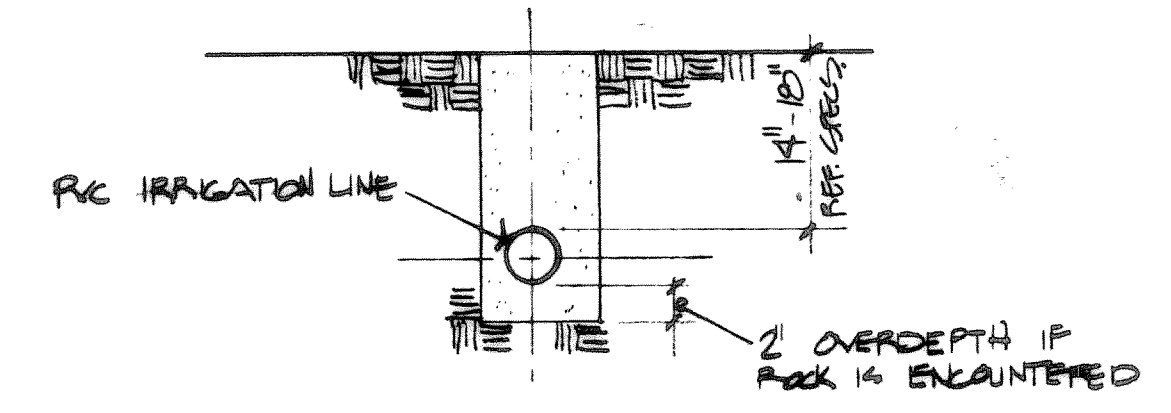
1 TREE PLANTING
NO SCALE



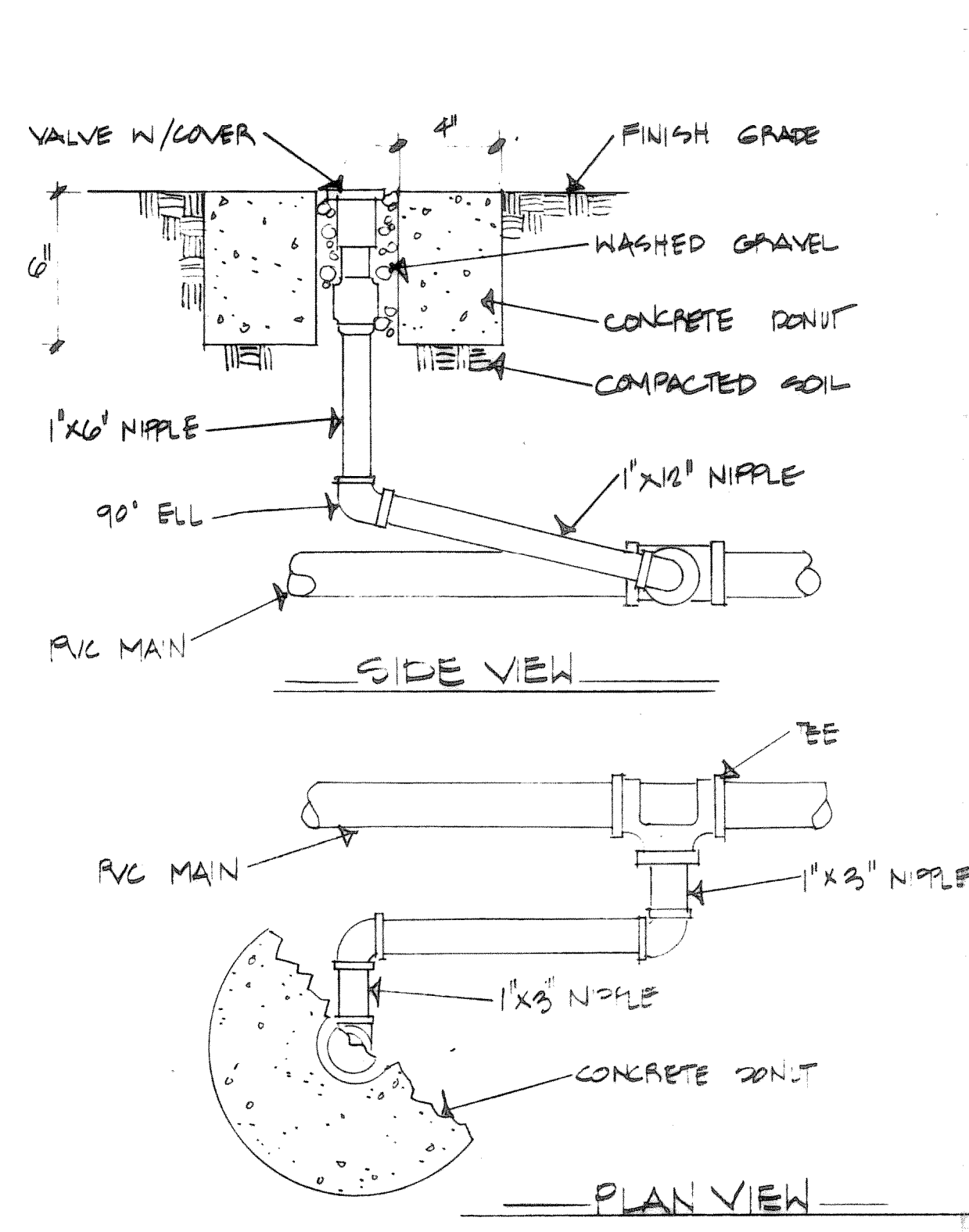
2 TREE PLANTING
NO SCALE



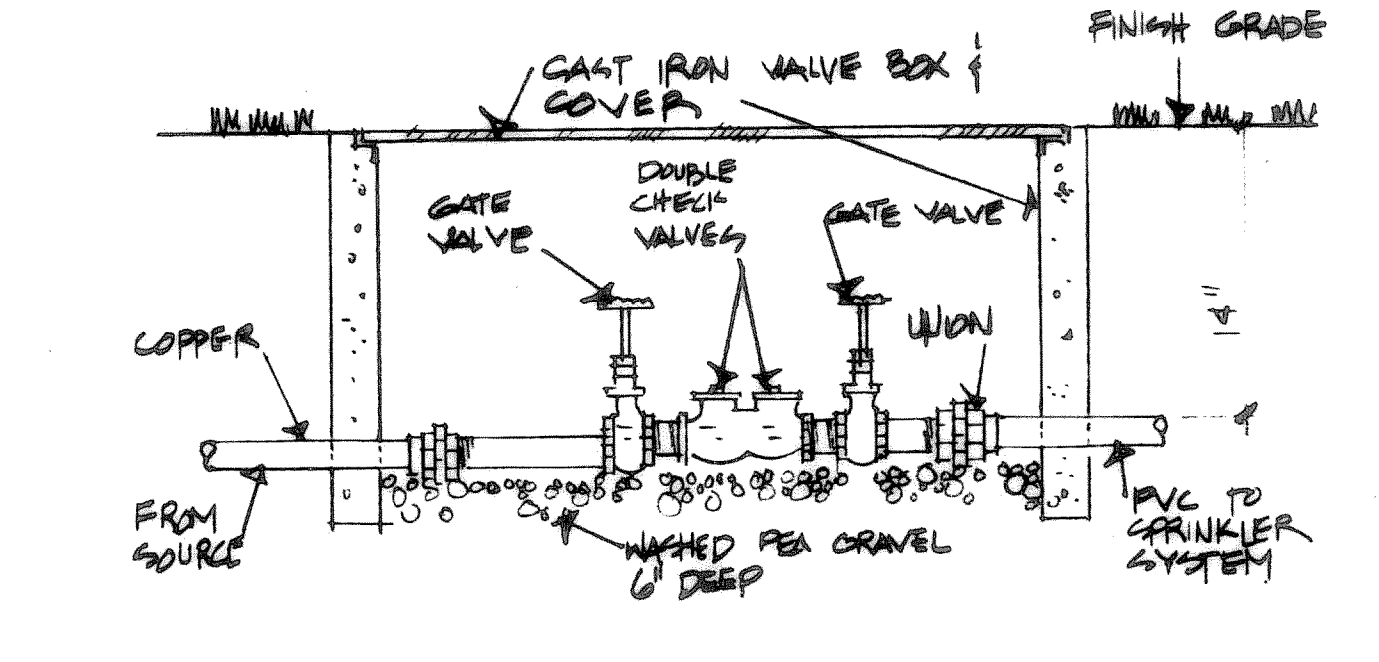
3 SHRUB PLANTING
NO SCALE



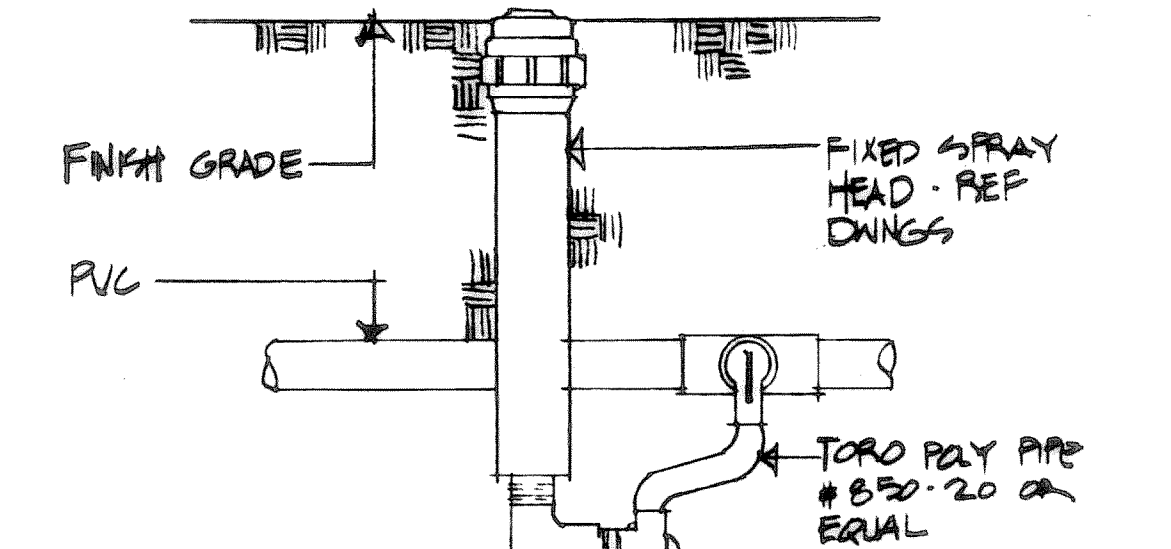
4 PVC IRRIGATION LINE
NO SCALE



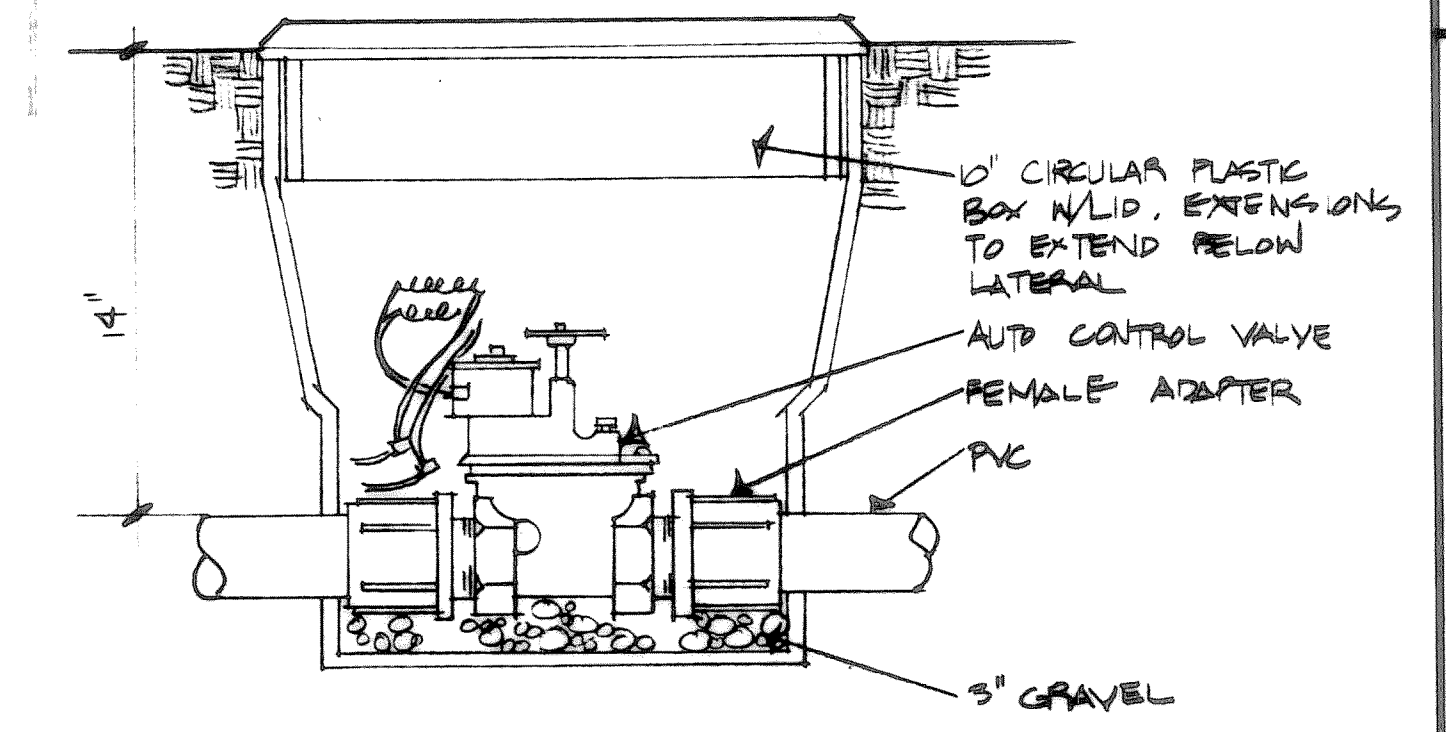
5 QUICK COUPLER VALVE
NO SCALE



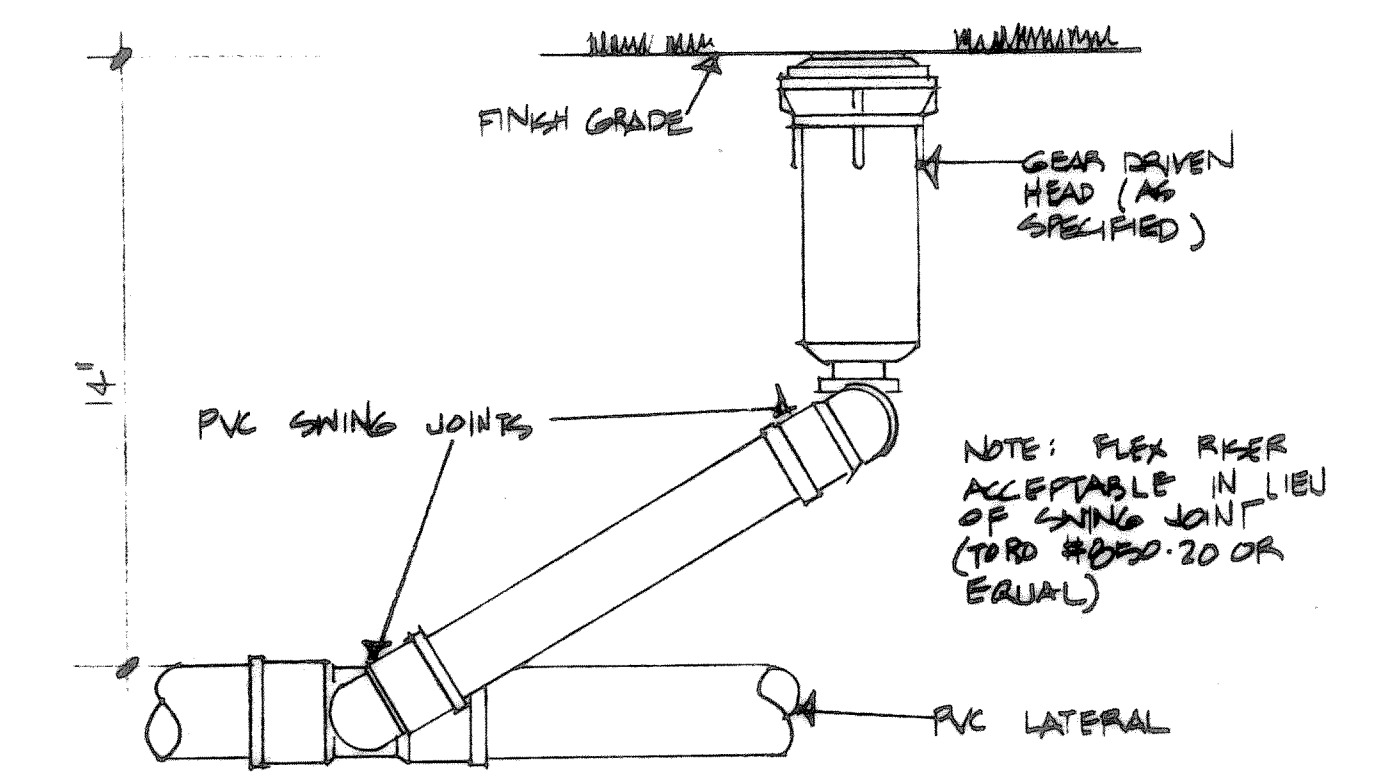
6 DOUBLE CHECK/DOUBLE GATE VALVE
NO SCALE



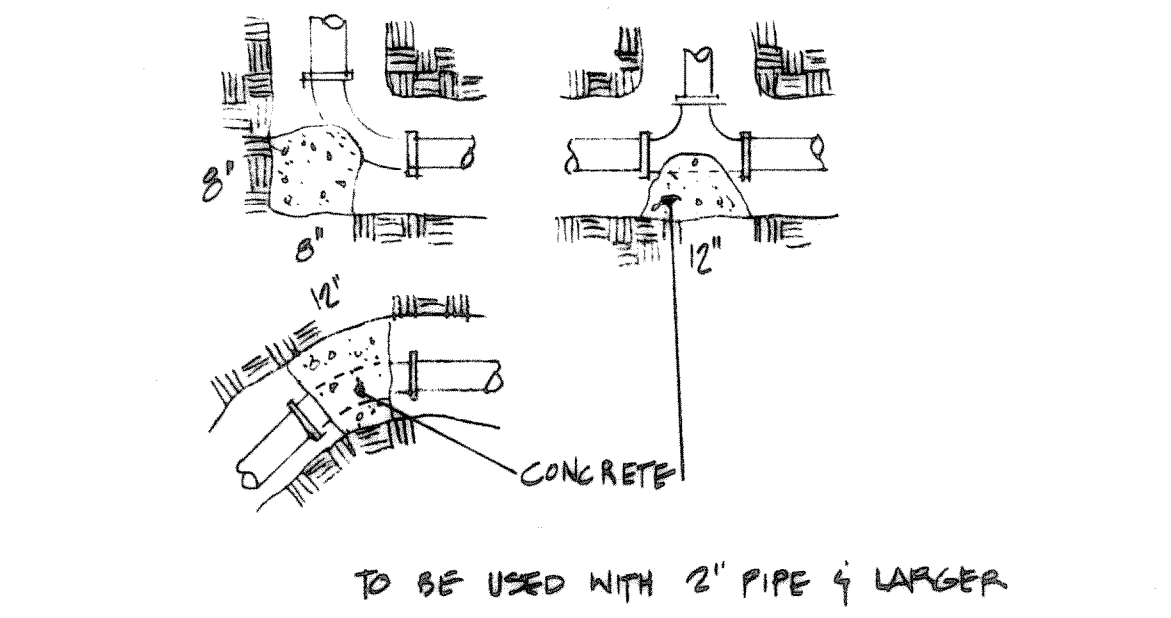
7 FIXED SPRAY HEAD
NO SCALE



8 ELECTRIC CONTROL VALVE
NO SCALE



9 GEAR DRIVEN HEAD
NO SCALE



10 THRUST BLOCKS
NO SCALE

JOHN R. FAIN
1201 Shirley Way
Bedford, Texas 76022
(817) 354-5076

LANDSCAPE ARCHITECT

ASBUILT
Winkelmann & Associates, Inc. hereby states that this plan, to the best of our knowledge is "As Built." Modifications from the originally approved construction documents have been made as per information provided by the contractor. Winkelmann & Associates, Inc. does not certify as to the correctness or quality of construction as no field inspection was performed.
Winkelmann 5-13-98
WINKELMANN & ASSOCIATES, INC. DATE

Scale:	Date:
Designed By:	Drawn By:
Checked By:	File:
Project No.:	