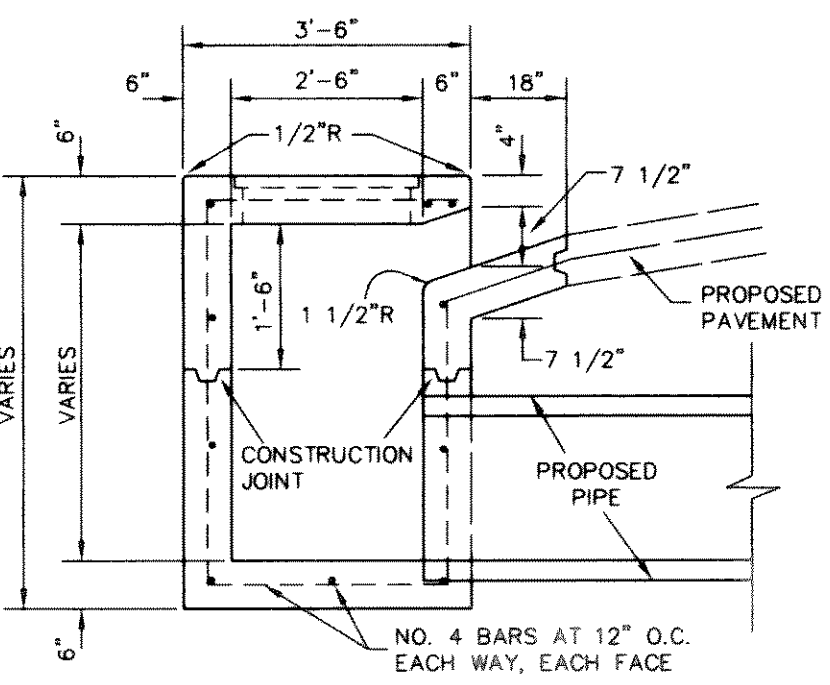
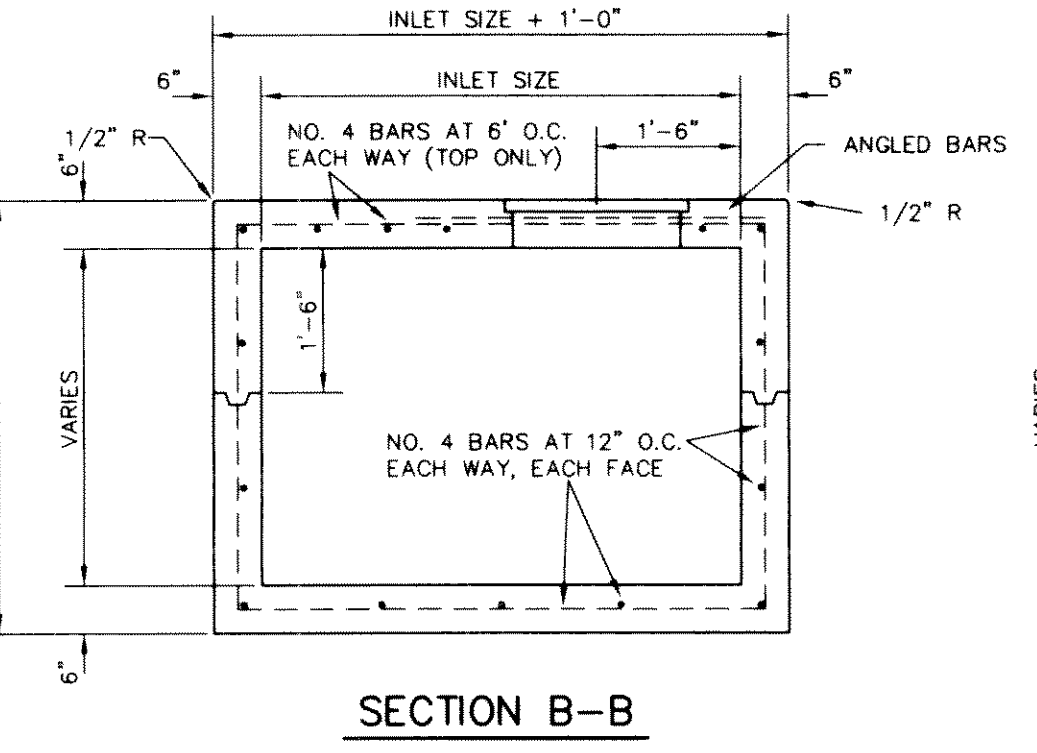
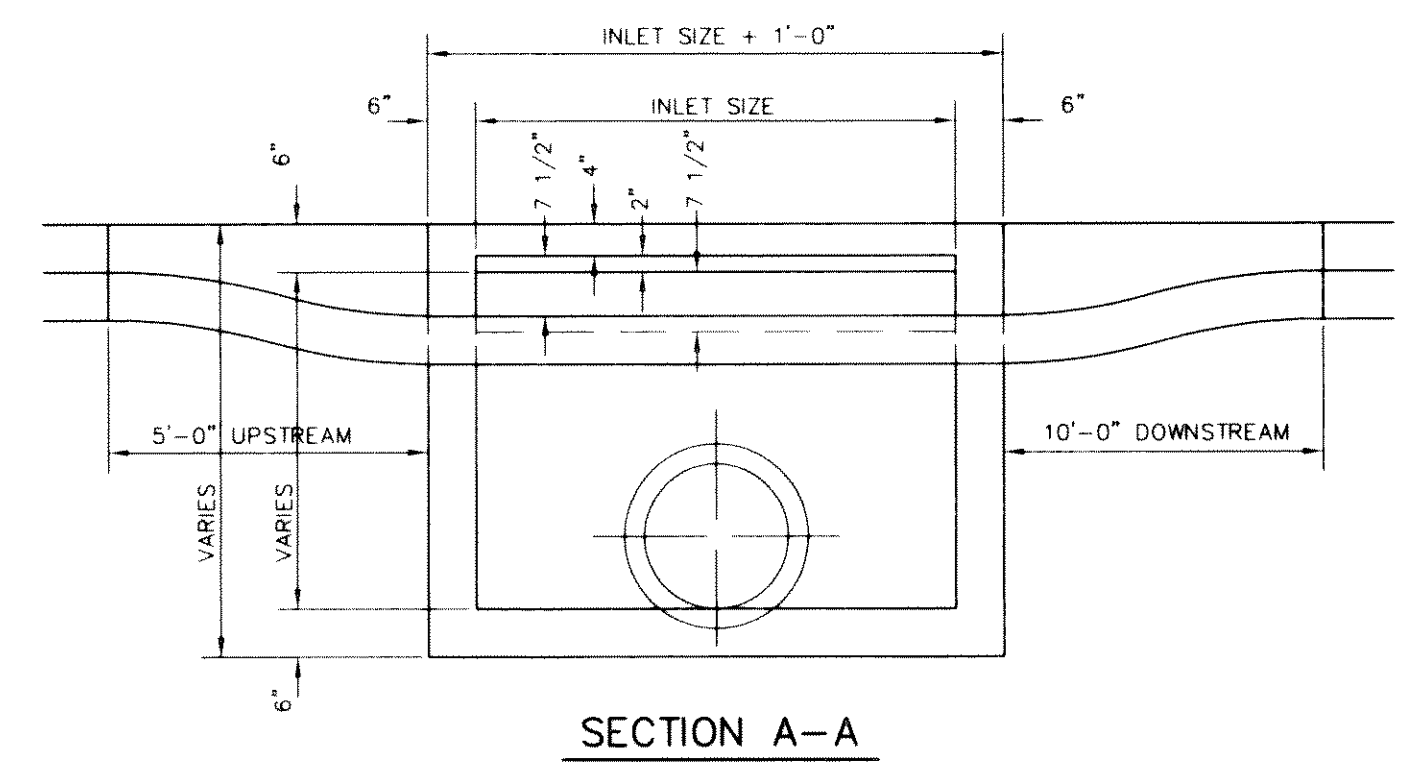
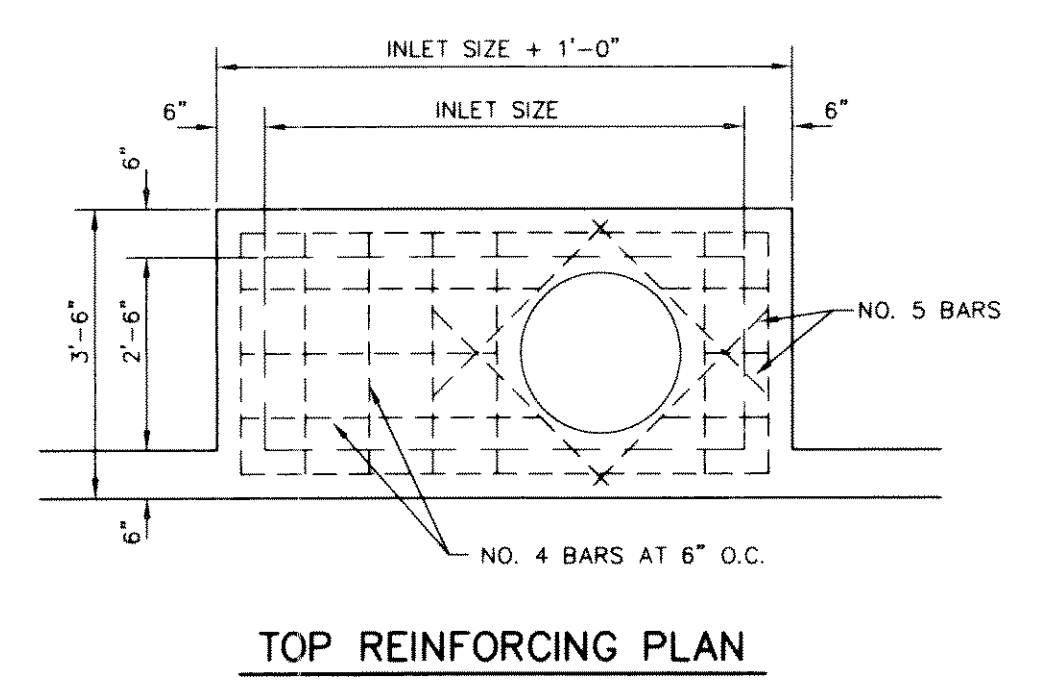
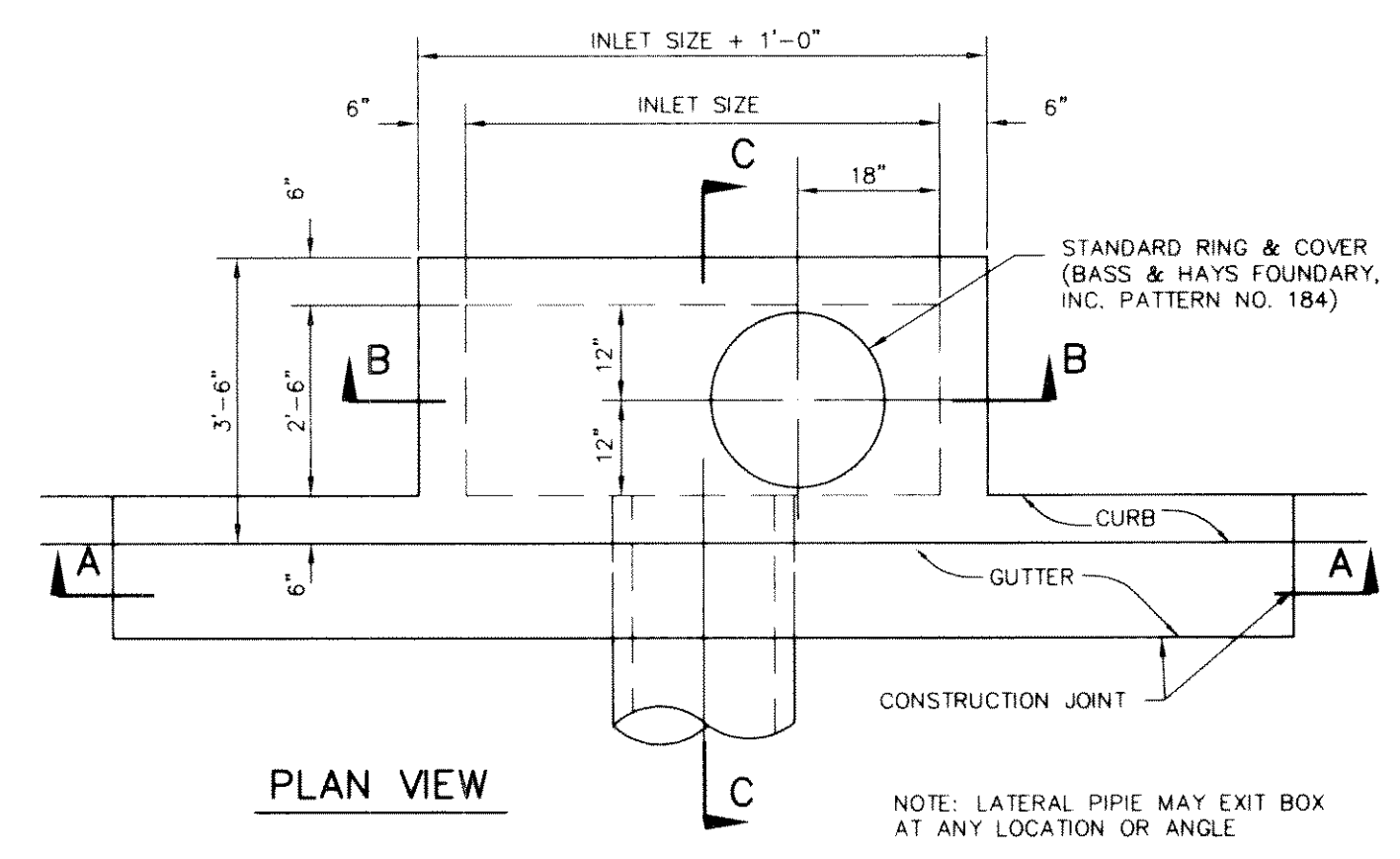


REVISIONS:	
DATE	DESCRIPTION
7-15-97	STORM DRAIN
8-20-97	CITY COMMENTS

PREPARED BY:
DEWEY & ASSOCIATES
 ENGINEERING, SURVEYING
 LAND PLANNING, CAD DESIGNS
 2505 TEXAS DRIVE, SUITE 110 • IRVING, TEXAS 75062 • 972/255-1501

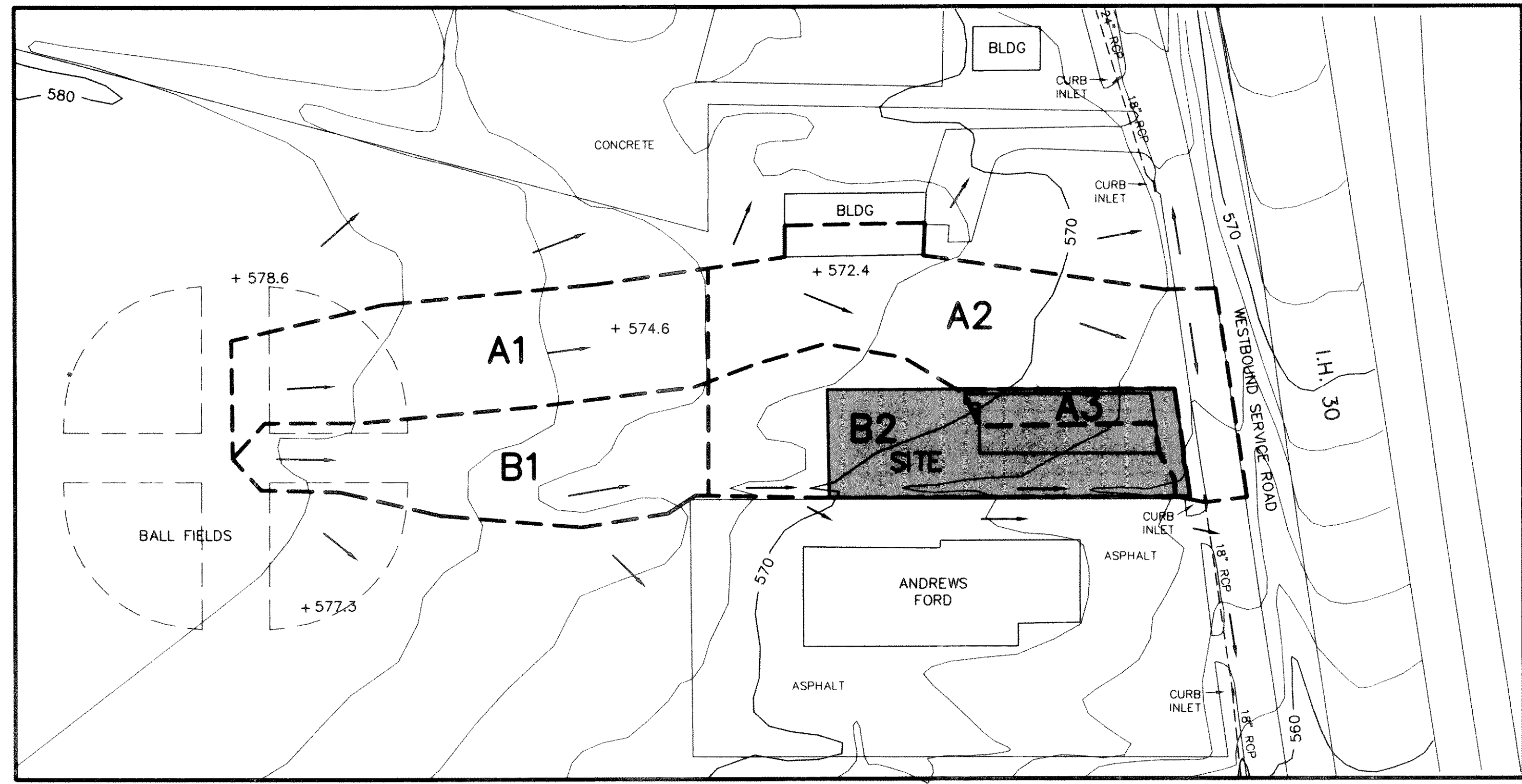
PROJECT:
PROPOSED HOLIDAY INN EXPRESS
 MAP AND STORM DRAIN PROFILE & DETAILS
 LOT 1, BLOCK A SANSS ADDITION
 INTERSTATE HIGHWAY NO. 30
 ROCKWALL, TEXAS

SHEET TITLE
MAP AND STORM DRAIN PROFILE & DETAILS
 DATE: APR. 16, 1997
 SCALE: 1" = 20'
 DRAWN BY: SAS (ACAD)
 CHECKED BY: JDJ
 SHEET NO.
C3 OF **6**

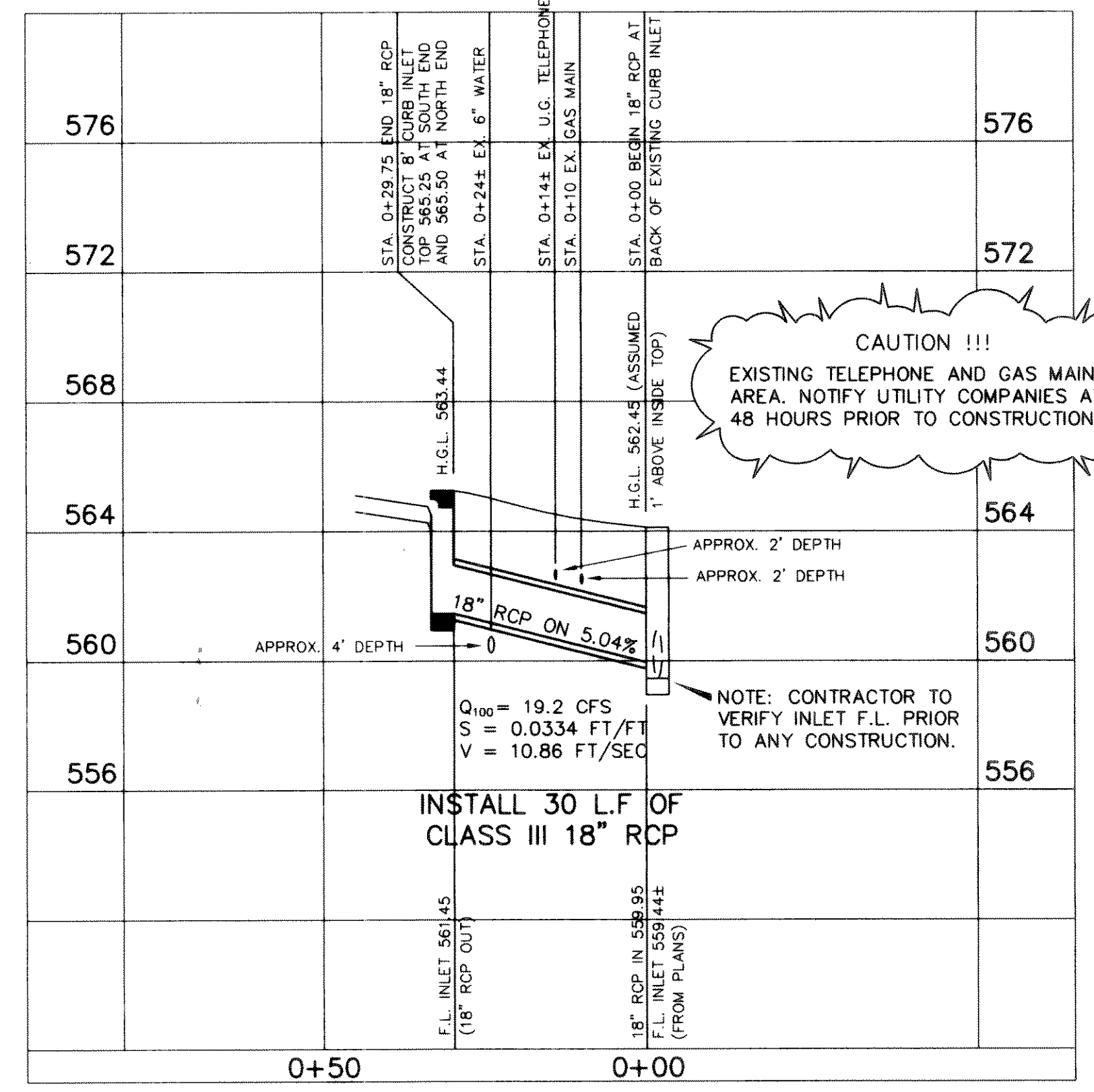


CURB INLET DETAILS
 NOT TO SCALE

DRAINAGE DATA					
AREA NO.	ACRES	C	T _C MIN	I ₁₀₀ IN/HR	Q ₁₀₀ CFS
A1	1.27	0.8	10	9.8	9.6
A2	1.56	0.8	10	9.8	12.2
A3	0.21	0.8	10	9.8	1.6
B1	1.09	0.8	10	9.8	8.5
B2	1.16	0.8	10	9.8	9.1

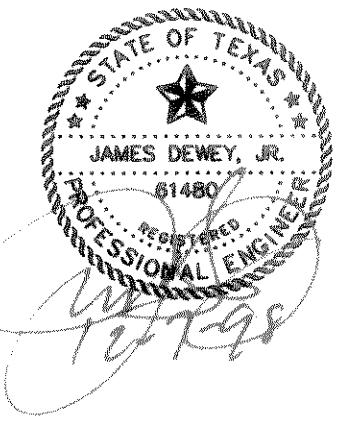


DRAINAGE AREA MAP
 SCALE: 1" = 100'



STORM DRAIN PROFILE
 SCALE: 1" = 20'H, 1" = 4'V

AS-BUILTS BY:
JDJR ENGINEERS AND CONSULTANTS, INC.
 ENGINEERS • LAND PLANNERS • CAD DESIGNS
 2505 Texas Drive Suite 110 Irving, Texas 75062
 Tel: 972-255-1501 FAX: 972-255-1500



H:\DATA\ENG\H1\proj\c3.dwg Sun Dec 06 20:14:59 1998 JDJR ENGINEERS & CONSULTANTS • STATION 1 • JDJ