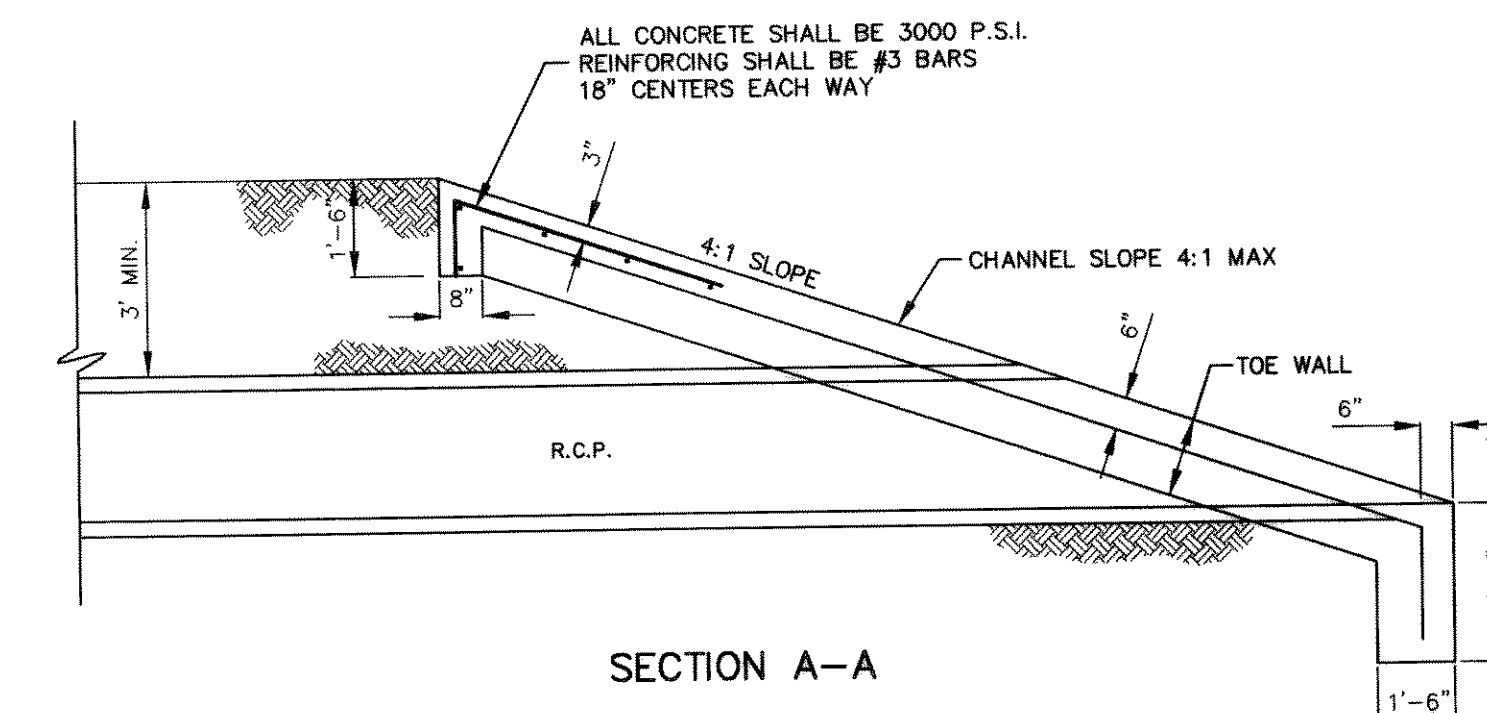
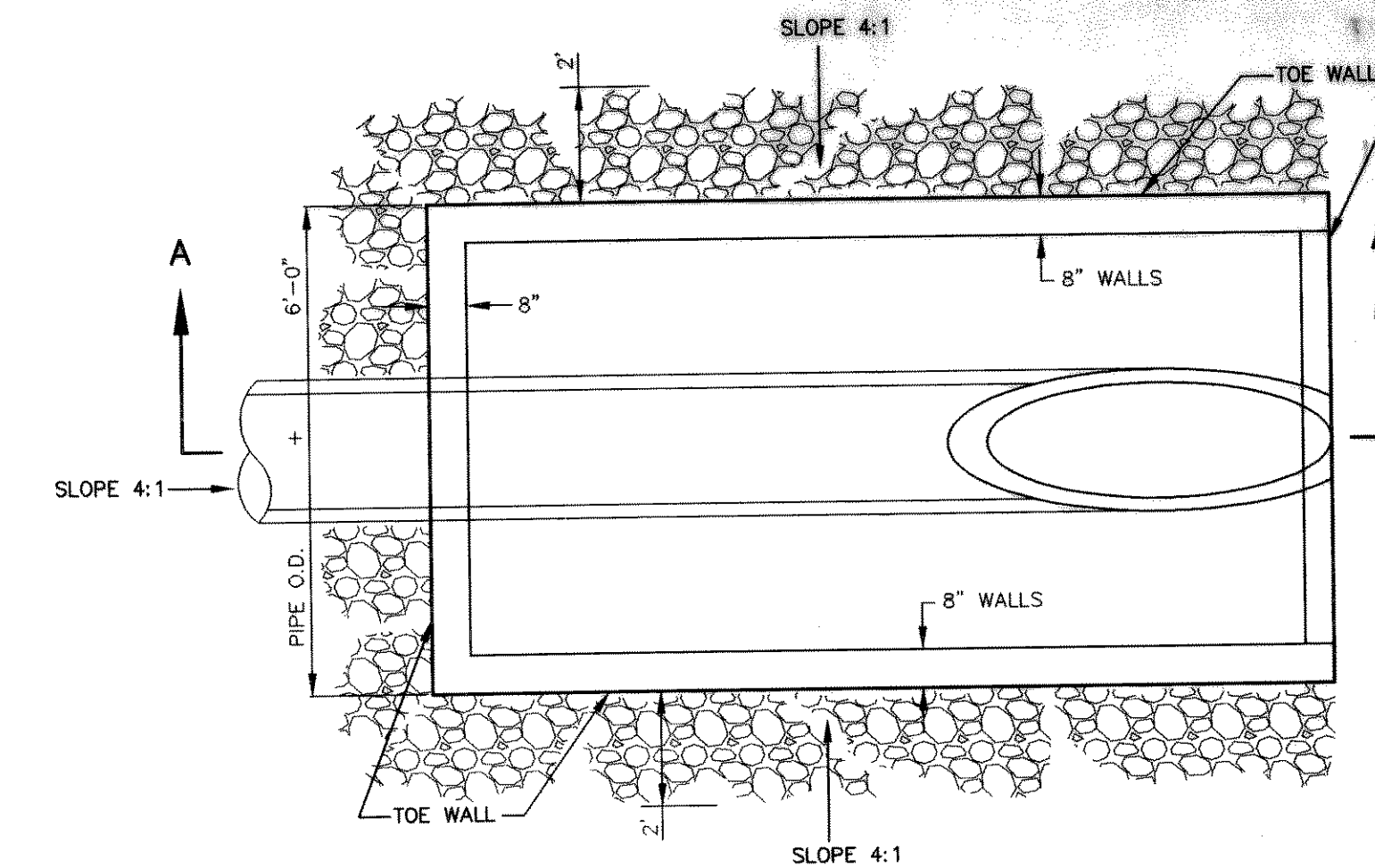
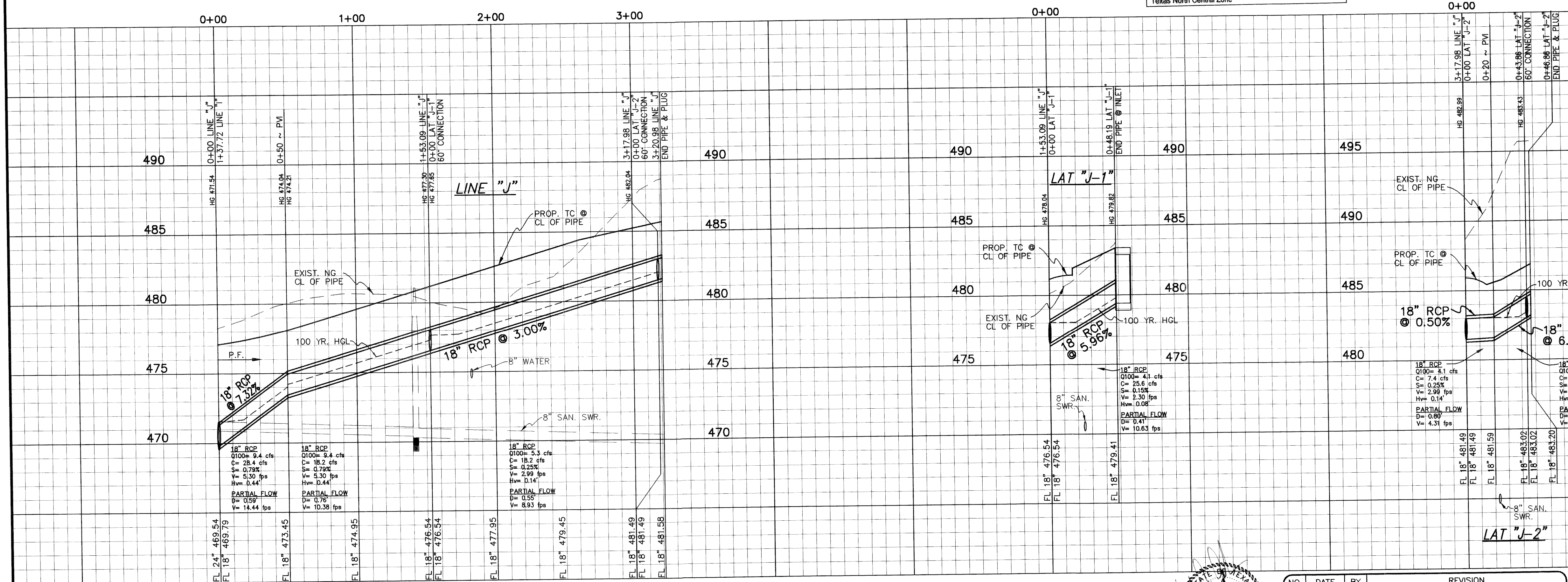


Paving Station 6 + 08.70 Southwest side of Parkview Drive
 3" Brass Disk on Northwest Corner of Curb Inlet
 State Plane Coordinates:
 North = 7, 031, 595.551
 East = 2, 5 89, 209.870
 Elevation = 476.83'
 Datum: NAD 83 (HGN)
 Texas North Central Zone

Paving Station 3 + 25.78 Southwest side of Crestcove Drive
 3" Brass Disk on Northwest Corner of Curb Inlet
 State Plane Coordinates:
 North = 7, 031, 918.016
 East = 2, 586, 595.588
 Elevation = 454.23'
 Datum: NAD 83 (HGN)
 Texas North Central Zone



SECTION A-A
 TYPE "C" HEADWALL
 CAN BE MODIFIED WITH PERMISSION
 OF CITY ENGINEER



RECORD DRAWINGS March 16, 2004
 NOTE: THE INTENT OF THE OWNER AND ENGINEER WAS TO CONSTRUCT THE IMPROVEMENTS ACCORDING TO THESE PLANS AS APPROVED BY THE CITY OF ROCKWALL. THE LINES AND GRADES WERE SET ON THE GROUND FOR CONSTRUCTION ACCORDING TO SAID PLANS. WE ARE NOT AWARE OF ANY CHANGES OR REVISION TO THESE PLANS DURING CONSTRUCTION EXCEPT AS NOTED ON THE PLANS.

**LINE "J"
 LATERALS "J-1" & "J-2"**
STORM SEWER PLAN & PROFILE
HILLCREST SHORES PHASE THREE
 CITY OF ROCKWALL
 ROCKWALL COUNTY, TEXAS

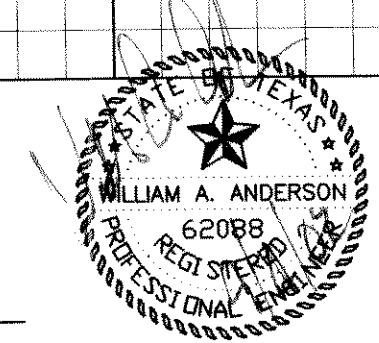
DOWDEY, ANDERSON & ASSOCIATES, INC.
 5225 VILLAGE CREEK DR., STE. 200 (972) 931-0694 PLANO, TEXAS

DESIGN	DRAWN	CHECKED	DATE	SCALE	JOB	SHEET
JDS	JDS	MSD	SEPT. 2001	H: 1"=40' V: 1"=4'	101-042	5

BENCHMARK:
 "X" FOUND IN CONCRETE AT APPROX. CENTERLINE INTERSECTION OF CRESTCOVE DR. AND A 20' ALLEY. APPROX. 25' EAST OF AND 10.5' SOUTH OF SOUTHEAST CORNER OF LOT 14 IN BLOCK "F" IN CRESTVIEW, PHASE 3, THE SHORES, RECORDED IN CABINET "D" SLIDE 171 & 172, PLAT RECORDS, ROCKWALL COUNTY, TEXAS.
 ELEVATION = 462.66'

BENCHMARK:
 "X" FOUND IN CONCRETE AT THE SOUTHEAST CORNER OF ALAMO DR. APPROX. 67' SOUTH OF AND 34.8' EAST OF THE SOUTHEAST CORNER OF LOT 9 IN BLOCK "C" IN CRESTVIEW, PHASE 1, THE SHORES, RECORDED IN CABINET "C", SLIDES 397 & 398, PLAT RECORDS, ROCKWALL COUNTY, TEXAS.
 ELEVATION = 513.48'

These construction plans were prepared under the responsible supervision of William A. Anderson, Registered Professional Engineer No. 79858



NO.	DATE	BY	REVISION
1	6/27/02	JDS	CITY MARKUPS
2	9/4/02	JDS	CITY MARKUPS