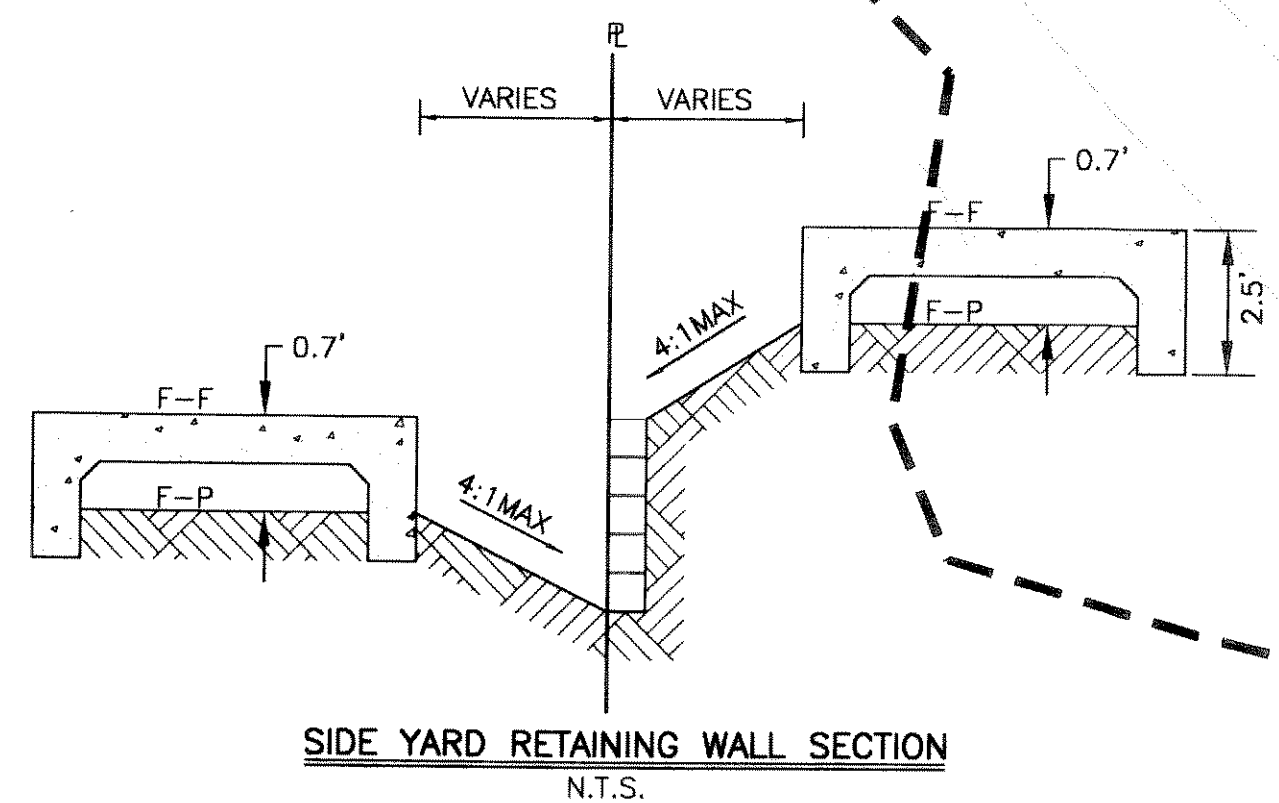


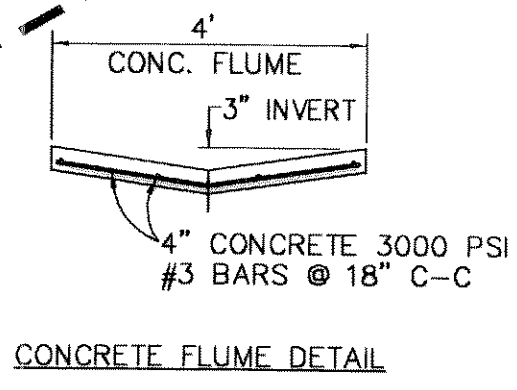
TYPICAL PAD SIZE:
 60' X 80'
 50' X 80'
 50' X 70'



SIDE YARD RETAINING WALL SECTION
 N.T.S.

Paving Station 6 + 06.70 Southwest side of Parkview Drive
 3" Brass Disk on Northwest Corner of Curb Inlet
 State Plane Coordinates:
 North = 7, 031, 595.551
 East = 2, 589, 209.870
 Elevation = 476.83'
 Datum: NAD 83 (HGN)
 Texas North Central Zone

Paving Station 3 + 25.78 Southwest side of Crestcove Drive
 3" Brass Disk on Northwest Corner of Curb Inlet
 State Plane Coordinates:
 North = 7, 031, 918.016
 East = 2, 586, 595.568
 Elevation = 454.23'
 Datum: NAD 83 (HGN)
 Texas North Central Zone



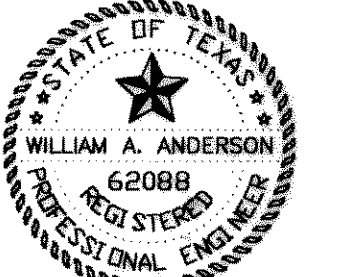
CONCRETE FLUME DETAIL

- LEGEND**
- x 536.4 Spot Elevation
 - x TW 537.9 Top of Wall Elevation
 - x BW 536.2 Bottom of Wall Elevation
 - Flow Arrow
 - Retaining Wall (Misc Stone)
 - 500- Existing Contour
 - 540- Proposed Contour
 - FP 552.1 Finish Pad Elevation

RECORD DRAWINGS March 16, 2004
 NOTE: THE INTENT OF THE OWNER AND ENGINEER WAS TO CONSTRUCT THE IMPROVEMENTS ACCORDING TO THESE PLANS AS APPROVED BY THE CITY OF ROCKWALL. THE LINES AND GRADES WERE SET ON THE GROUND FOR CONSTRUCTION ACCORDING TO SAID PLANS. WE ARE NOT AWARE OF ANY CHANGES OR REVISIONS TO THESE PLANS DURING CONSTRUCTION EXCEPT AS NOTED ON THE PLANS.

NO.	DATE	BY	REVISION
1	3-28-02	JDS	CITY MARKUPS
2	5-22-02	MSD	CITY MARKUPS
3	6-27-02	JDS	CITY MARKUPS
4	4-9-03	JDS	MOVED LOT LINE BETWEEN LOTS 19-22, BLOCK "C"
5	10-20-03	JDS	ADDED RETAINING WALL IN COMMON AREA

These construction plans were prepared under the responsible supervision of William A. Anderson, Registered Professional Engineer No. 79858



GRADING PLAN
HILLCREST SHORES PHASE THREE
 CITY OF ROCKWALL

ROCKWALL COUNTY, TEXAS

DOWDEY, ANDERSON & ASSOCIATES, INC.
 5225 VILLAGE CREEK DR., STE. 200 (972) 931-0694 PLANO, TEXAS

DESIGN	DRAWN	CHECKED	DATE	SCALE	JOB	SHEET
JDS	GG	WAA	SEP 2001	1"=40'	101042	3