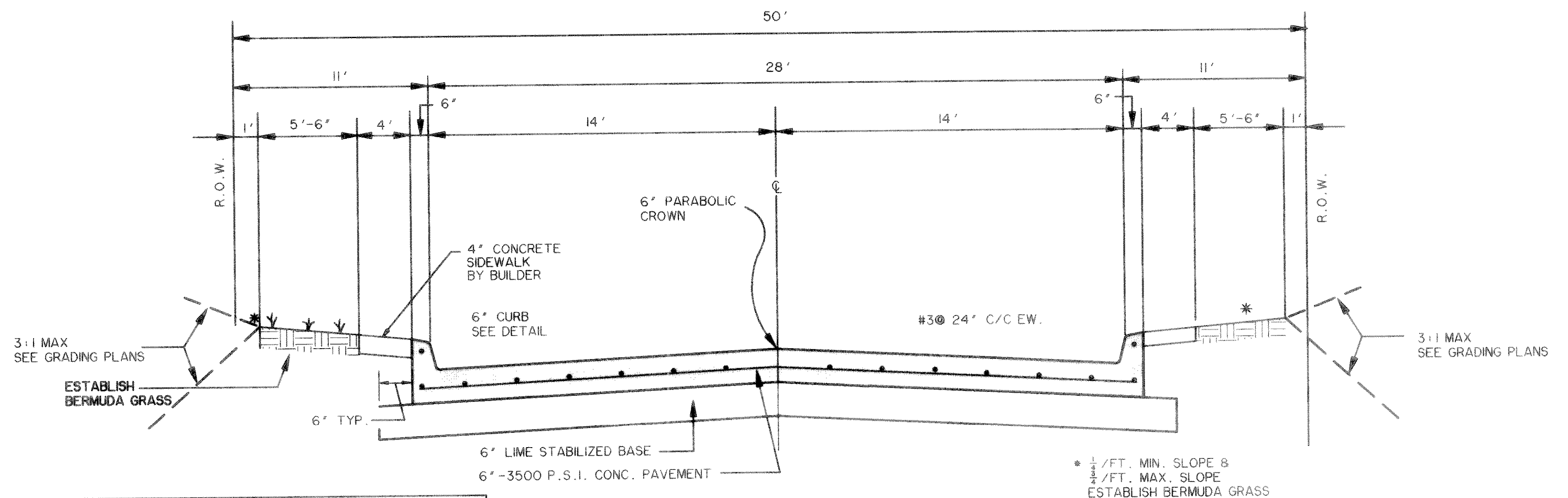
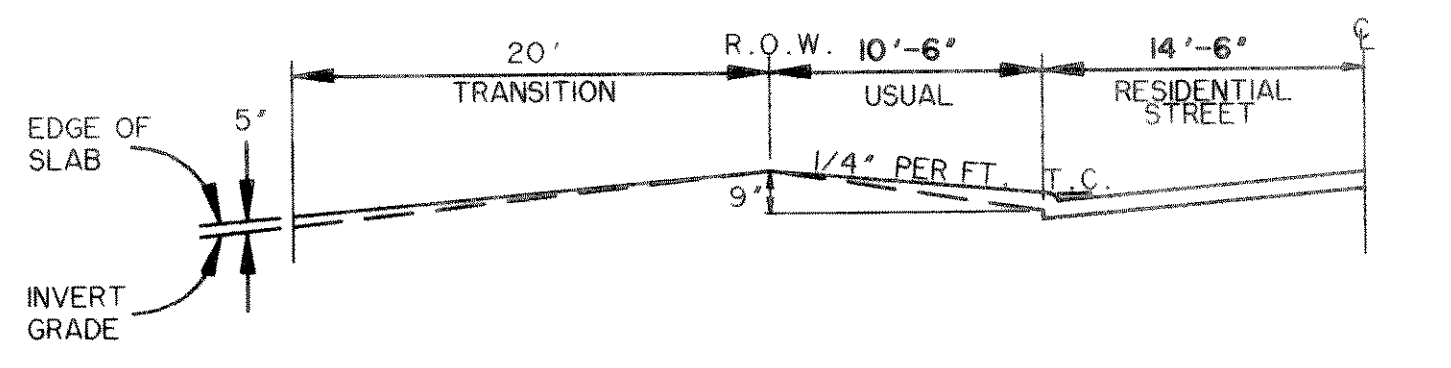


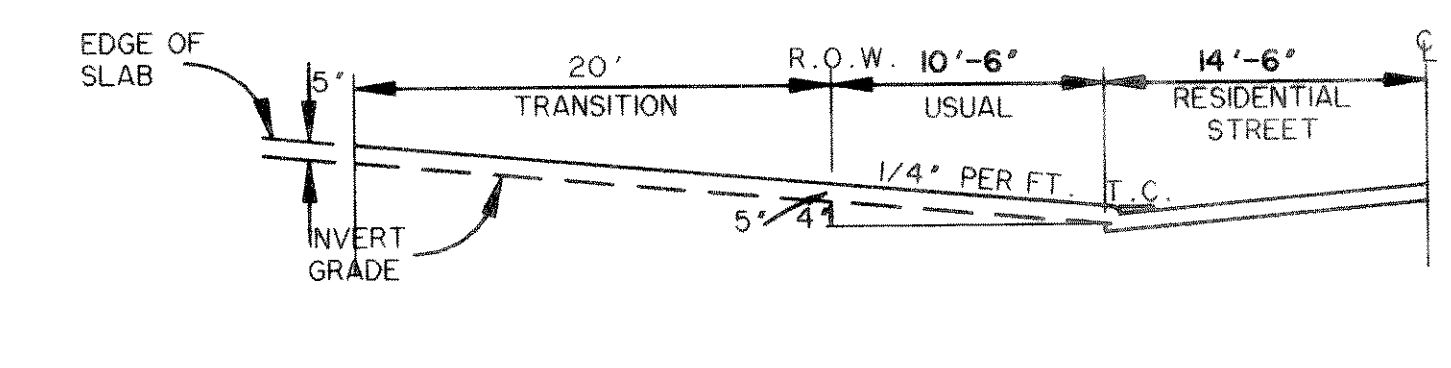
ALLEY RETURN DETAILS



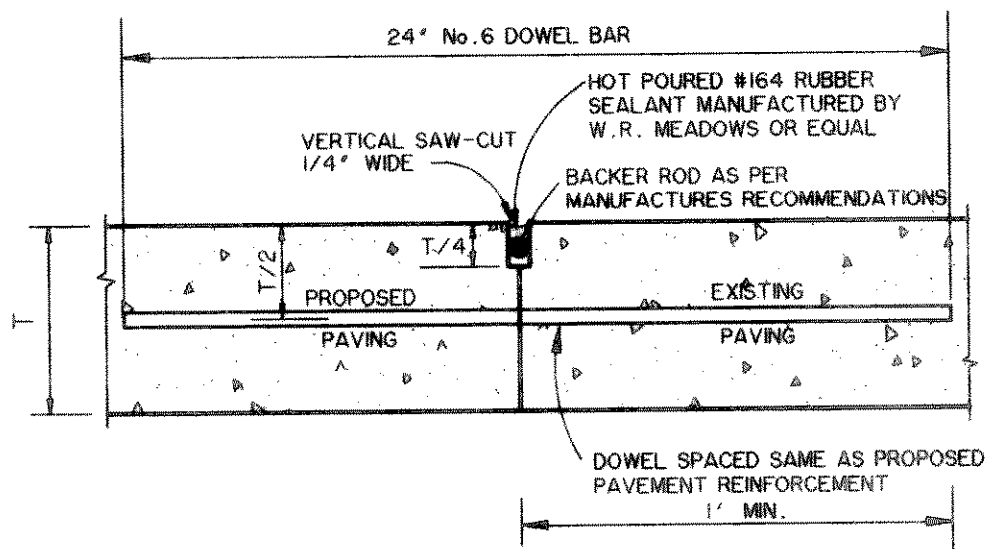
1/4" MIN. SLOPE &
 1/8" MAX. SLOPE
 ESTABLISH BERMUDA GRASS
 IN PARKWAYS AND SLOPES.
 PROVIDE MINIMUM 4" TOPSOIL.



TYPE I ALLEY ENTRANCE

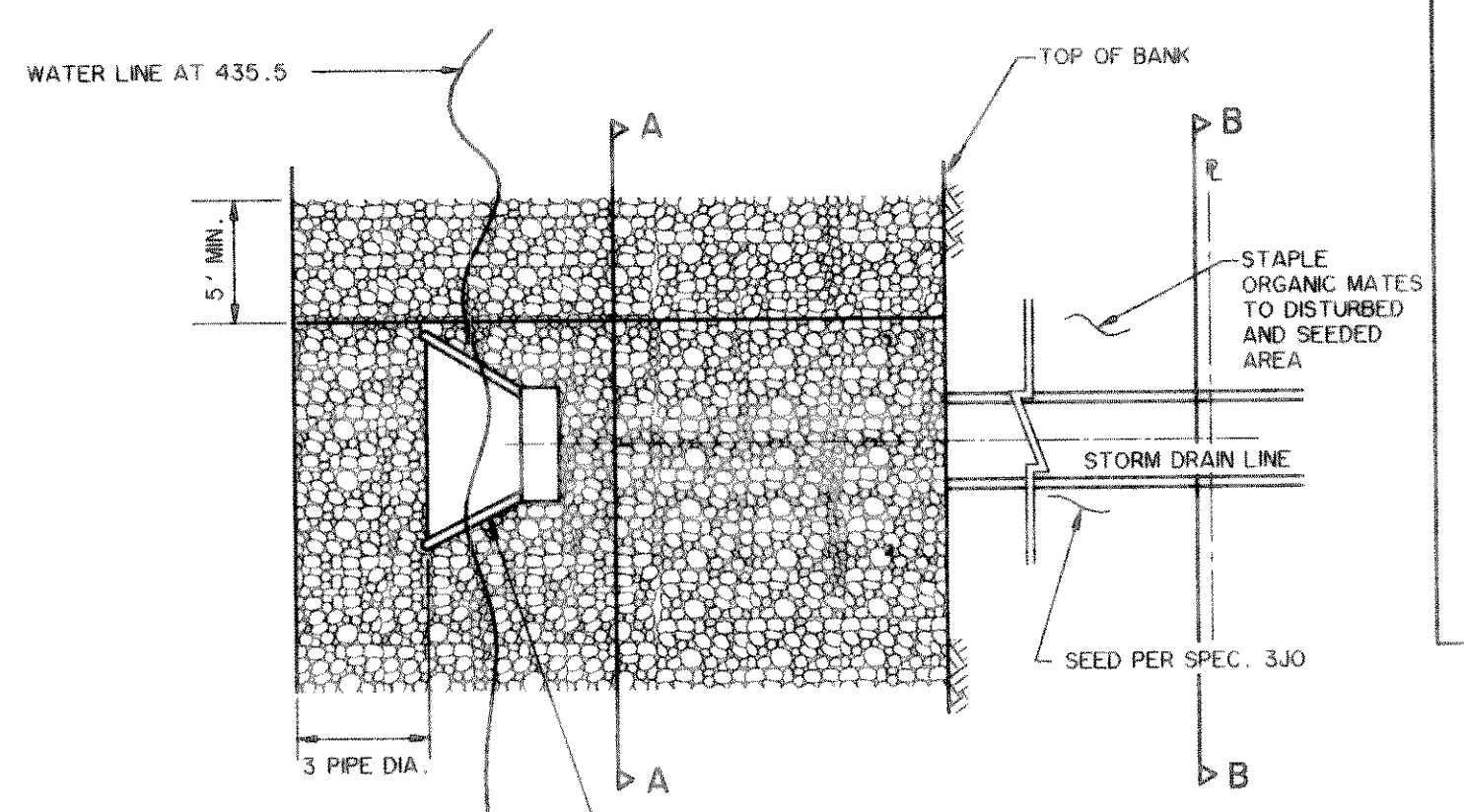


TYPE II ALLEY ENTRANCE

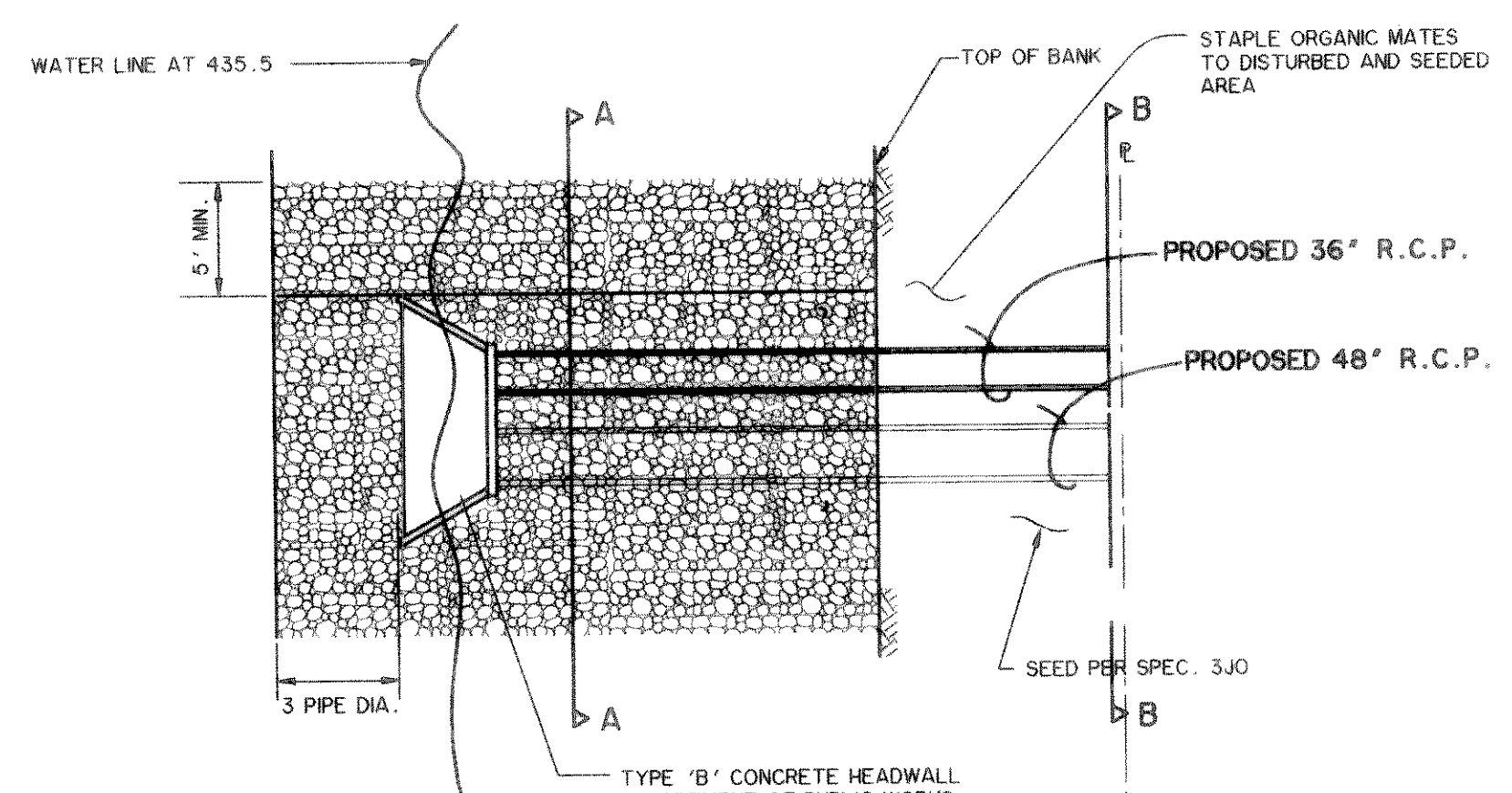


BUTT JOINT

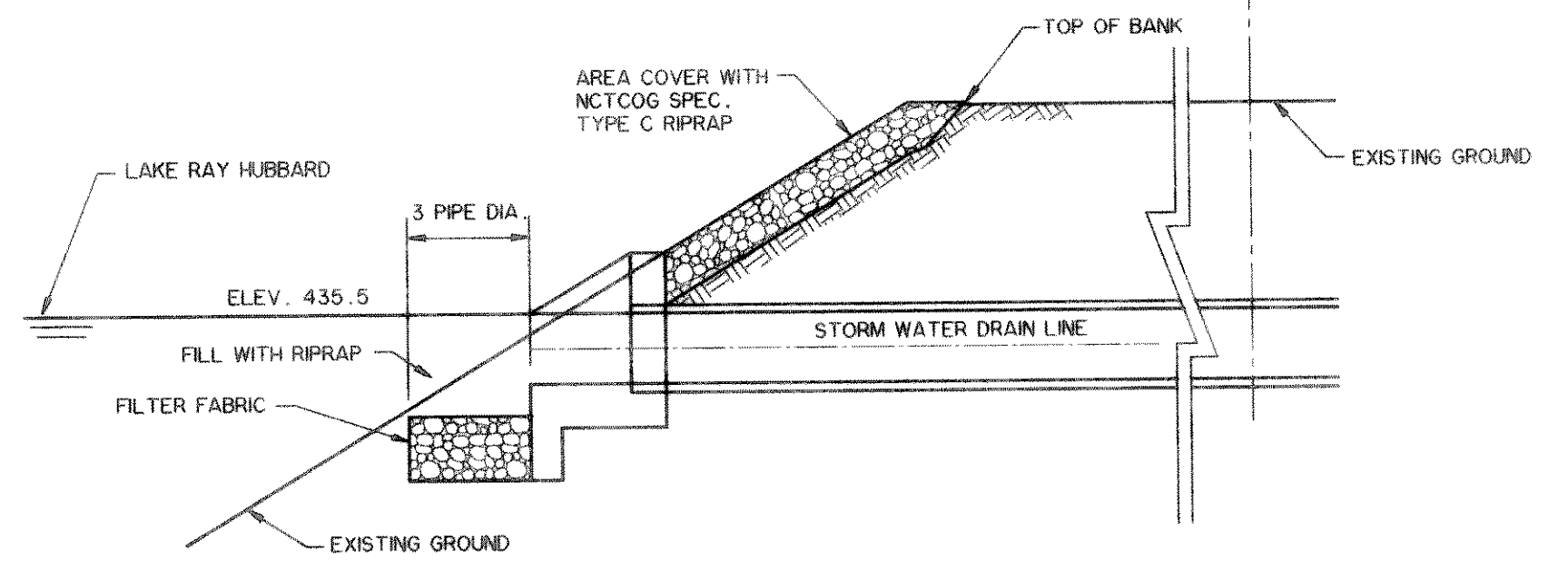
NOTES:
 1. T = PAVEMENT THICKNESS
 1. No. 5 DOWEL BAR MAY BE USED IN PAVEMENT WITH 6" THICKNESS OR LESS.
 2. DOWEL BARS SHALL BE DRILLED INTO PAVEMENT HORIZONTALLY BY USE OF A MECHANICAL RIG. DRILLING BY HAND IS NOT ACCEPTABLE. PUSHING DOWEL BARS INTO GREEN CONCRETE IS NOT ACCEPTABLE. SECURE DOWEL BARS IN EXISTING PAVING WITH EPOXY GROUT.



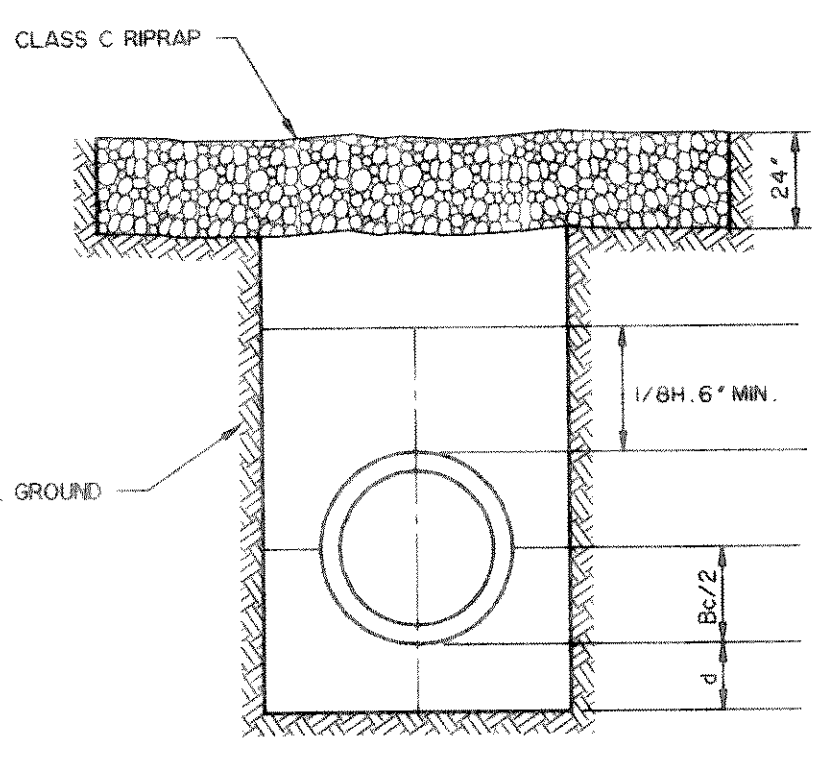
PLAN
 N.T.S.



PLAN
 N.T.S.



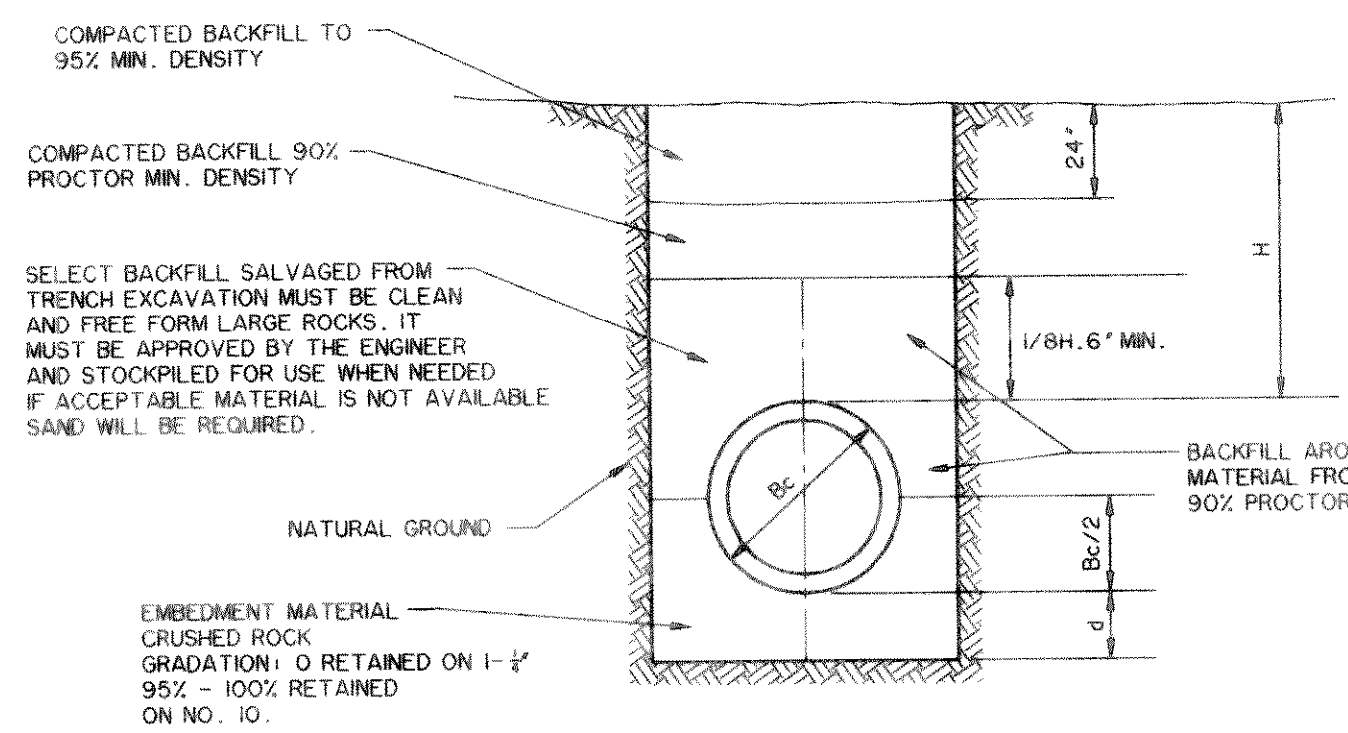
PROFILE
 N.T.S.



SECTION A-A
 NOT TO SCALE

NOTE:
 TRENCH WIDTHS BASED ON 1.25 Bc - 1.0 WHERE Bc IS THE OUTSIDE DIAMETER OF THE PIPE, IN FT.

PIPE DIA. INCHES	TRENCH WIDTH FEET
15	3.0
18	3.4
21	3.8
24	4.1
27	4.5
33	5.2
36	5.6
42	6.3
48	7.0
54	7.8
60	8.5
66	9.2
72	10.0
78	10.7
84	11.4
90	12.1
96	12.9



SECTION B-B
 NOT TO SCALE

D (INSIDE DIAMETER)	d (MIN.)
27" OR SMALLER	3"
30" TO 60"	4"
66" AND LARGER	6"

TRENCH WIDTHS SHOWN ARE MINIMUM FOR PROPER PLACEMENT AND COMPACTION OF EMBEDMENT AND BACKFILL.

NOTE:
 FOR H<10' DESIGN MUST BE CHECKED. UNLIMITED TRENCH WIDTH WILL NOT BE PERMITTED FOR CLASS III PIPE AND HIGHER TYPE PIPE EMBEDMENT MAY BE REQUIRED.

**STORM SEWER INSTALLATION WITHIN LAKE RAY HUBBARD
 CITY OF DALLAS STANDARDS & JURISDICTION**

RECORD PLANS
 2-13-96