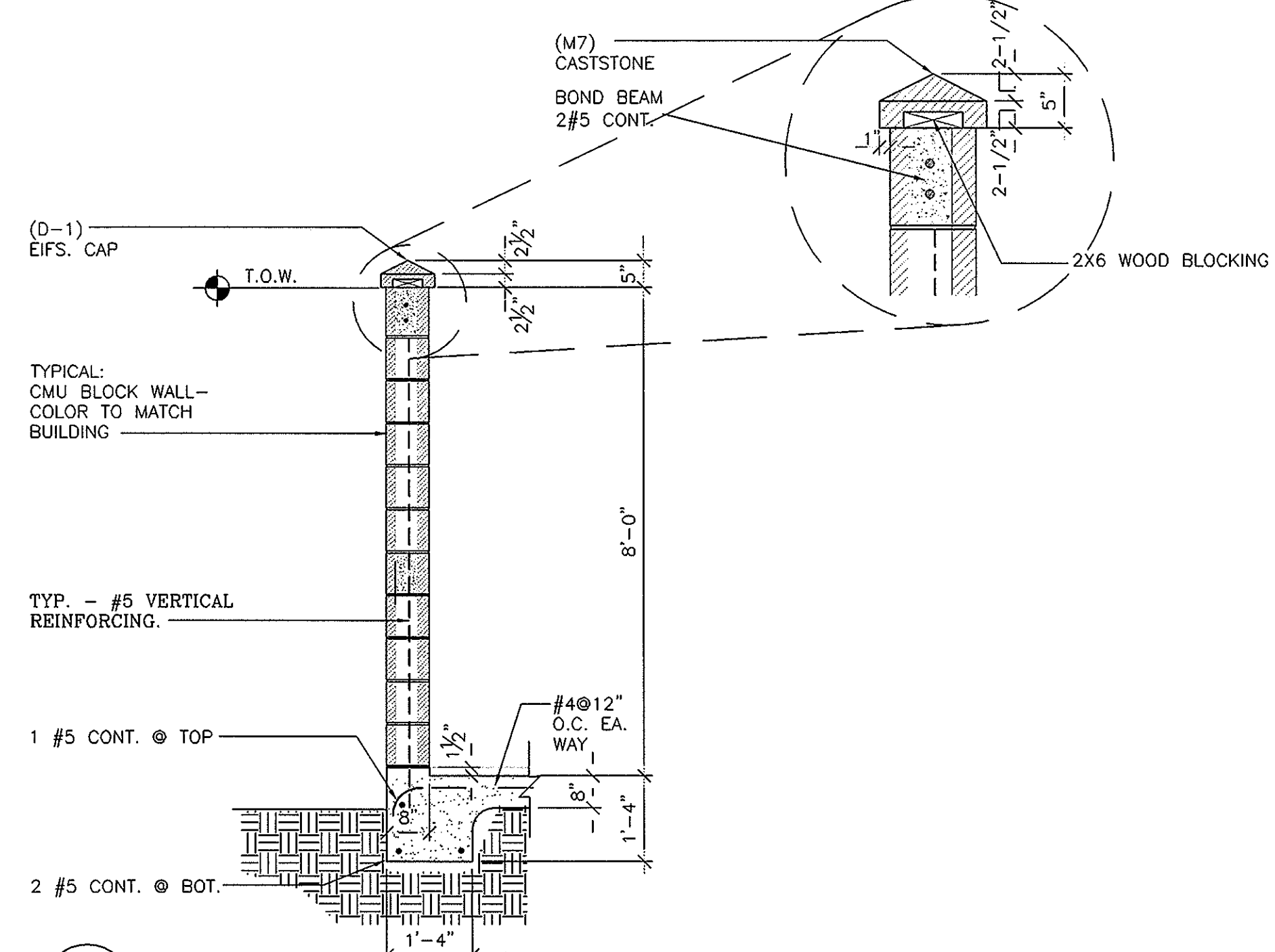
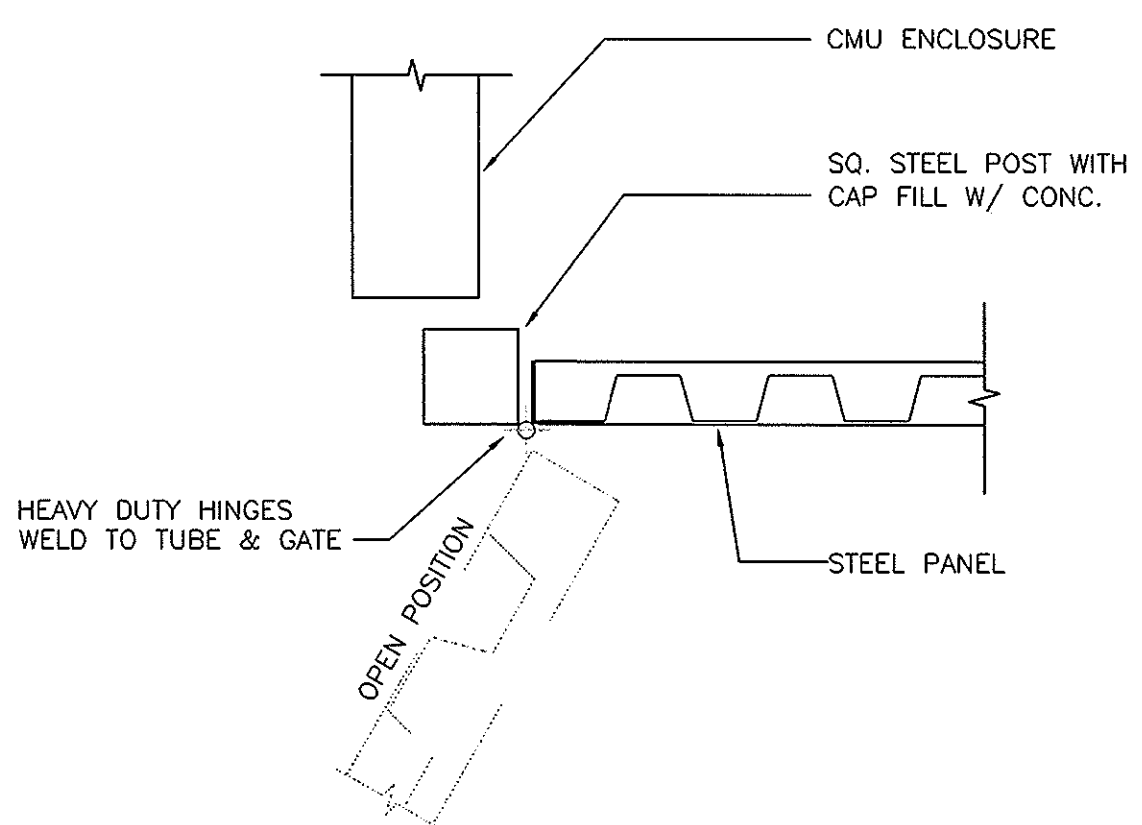


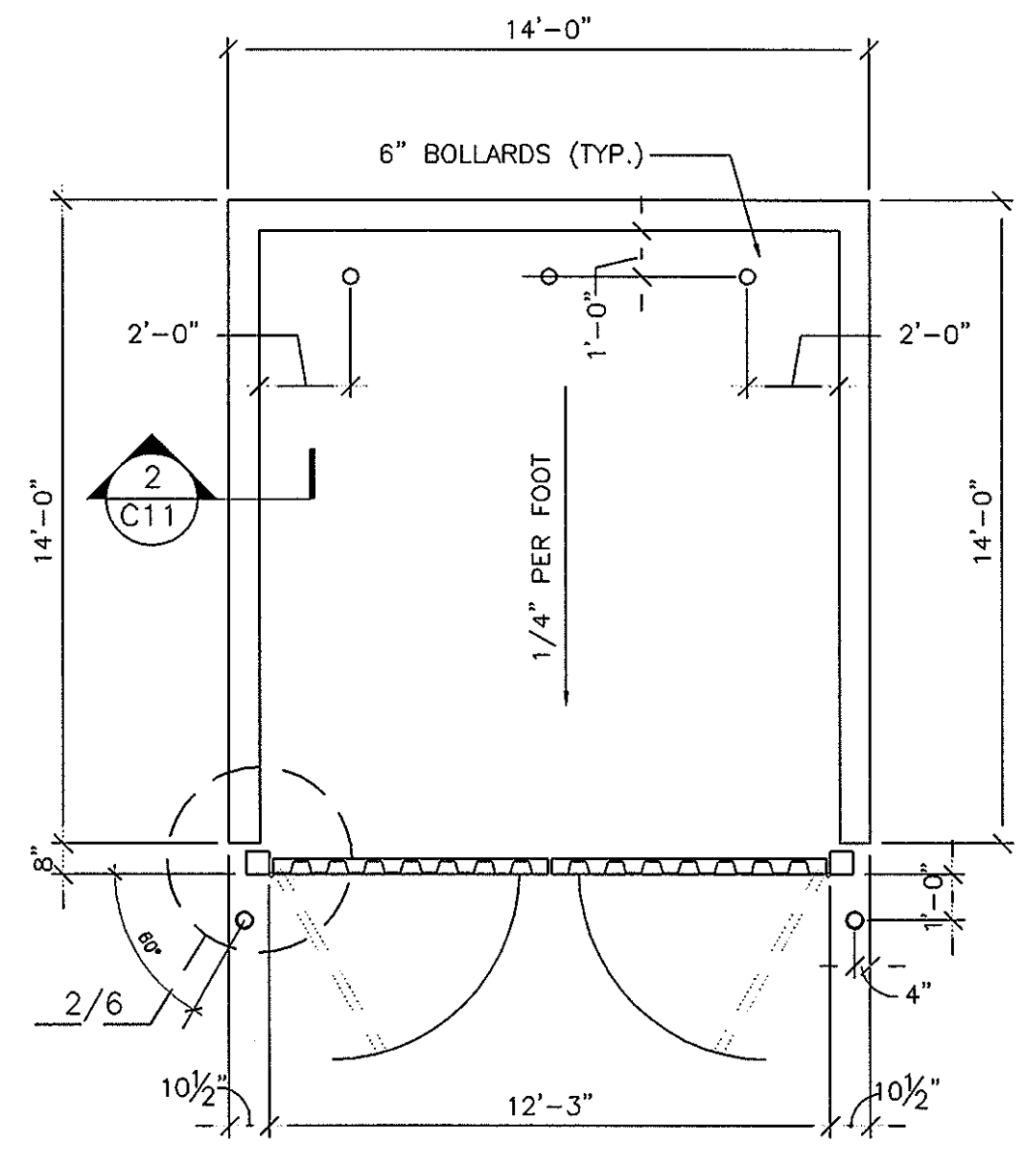
1 TYPICAL PIPE BOLLARD SECTION
C11 SC: 1"=1'-0"



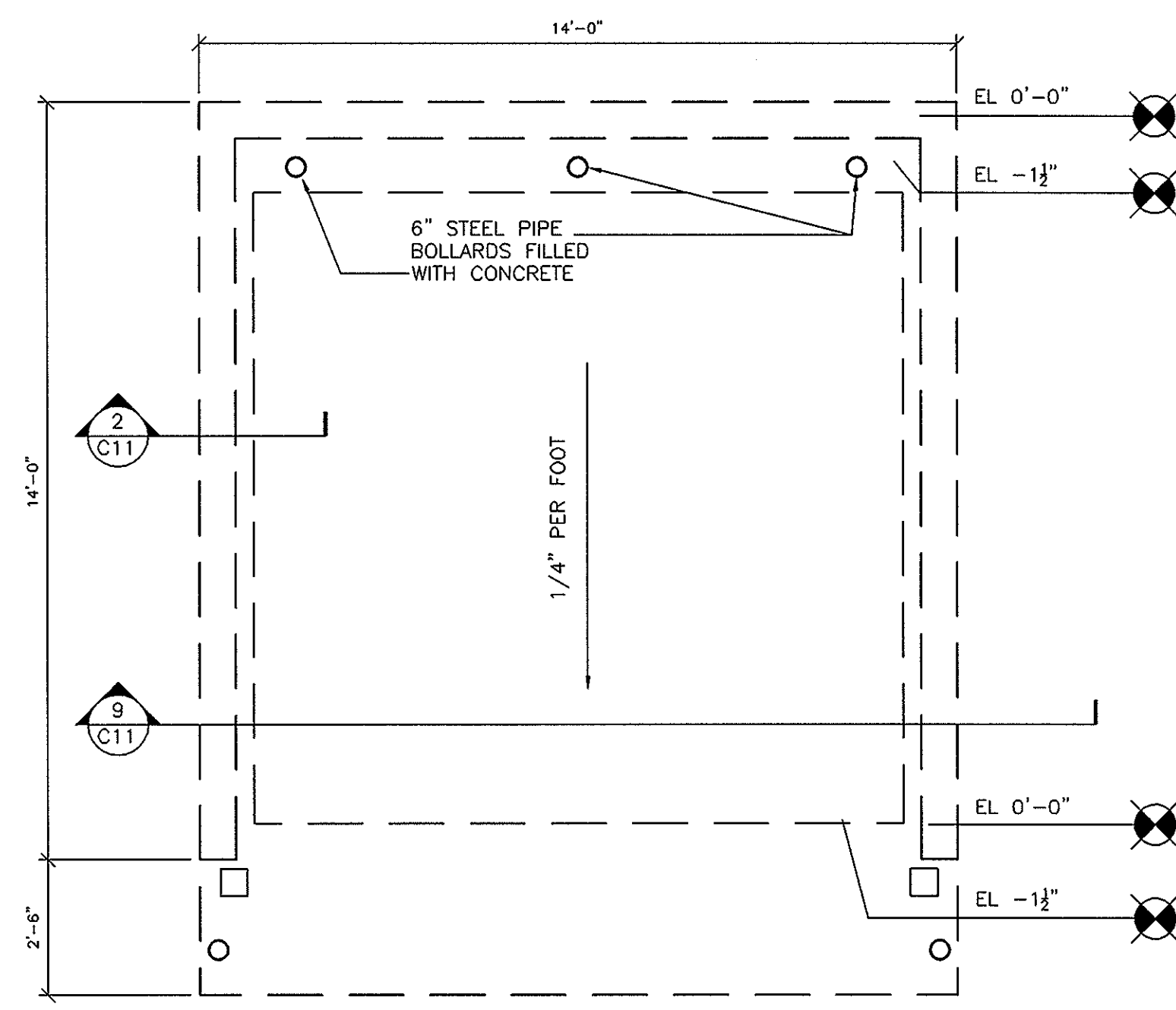
2 DUMPSTER WALL SECTION
C11 SC: 1/2"=1'-0"



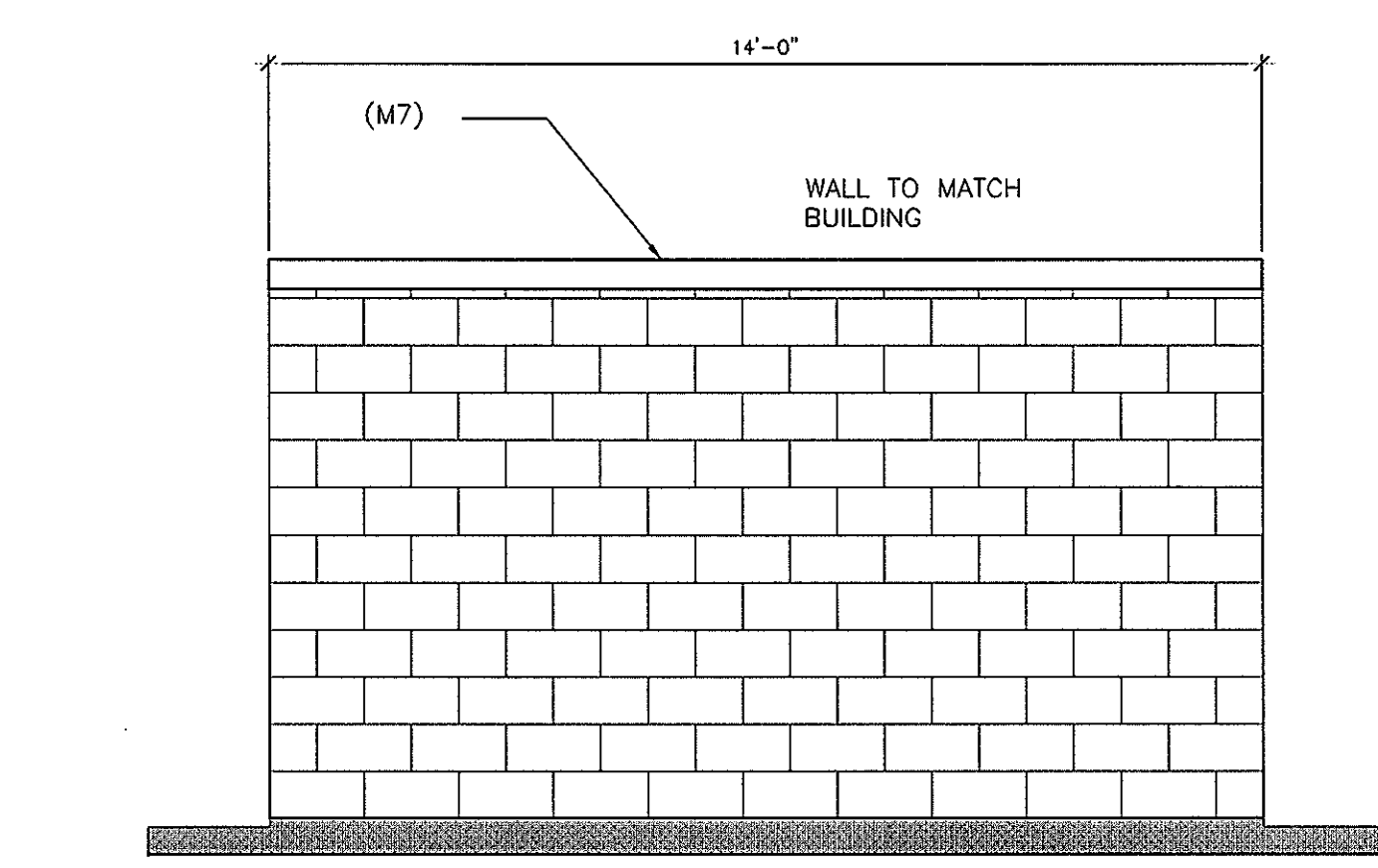
3 GATE POST DETAIL
C11 SC: 1"=1'-0"



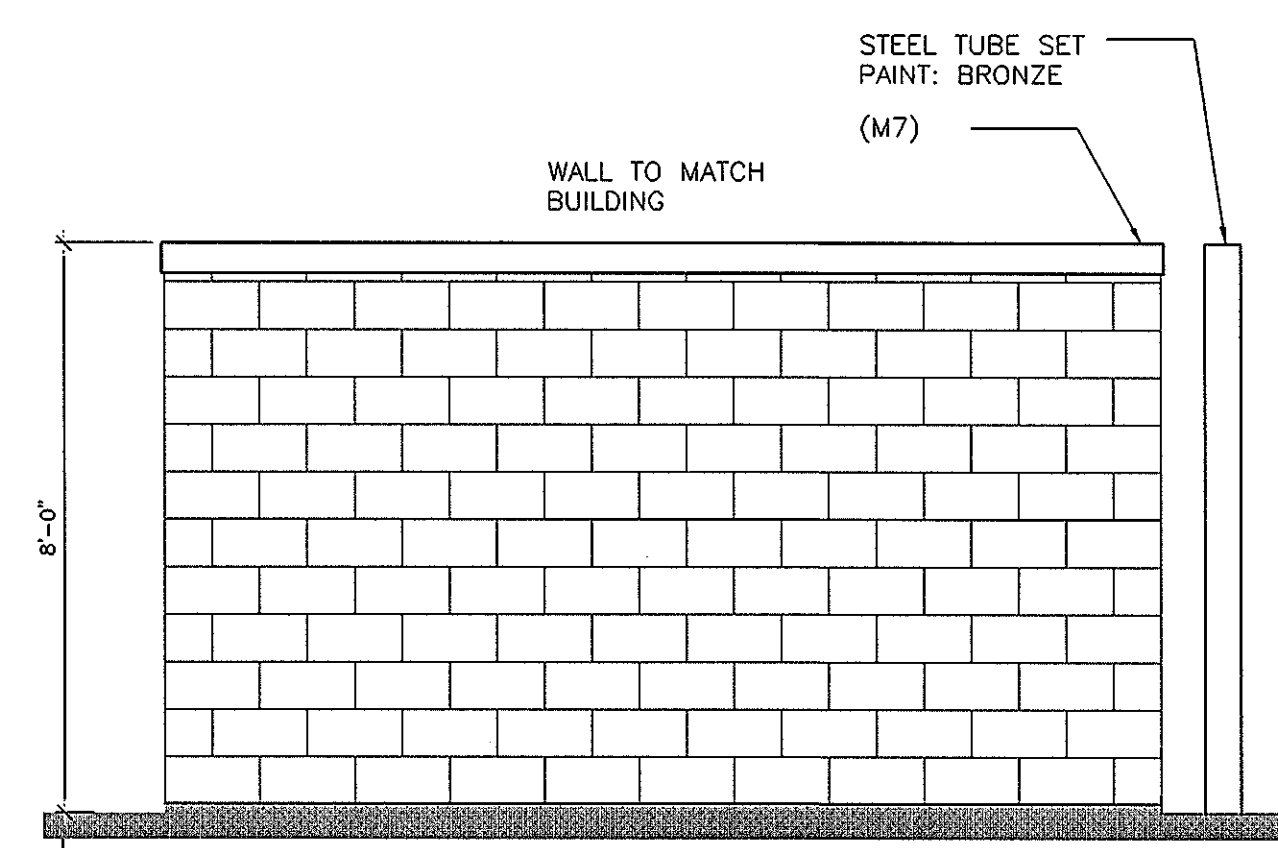
4 PLAN & GATE POST DETAIL
C11 SC: 1/4"=1'-0"



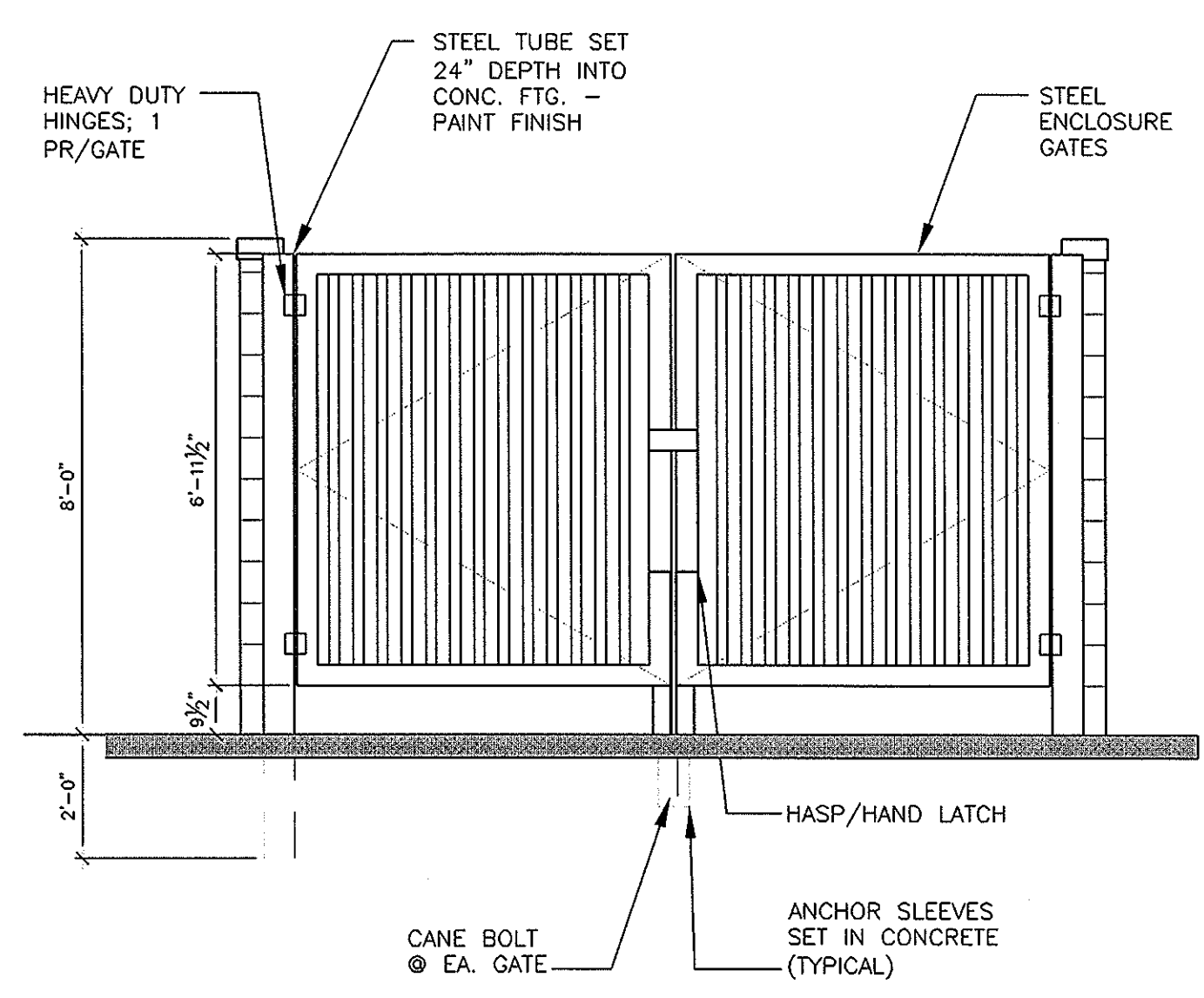
5 DUMPSTER SLAB
C12 SC: 3/8"=1'-0"



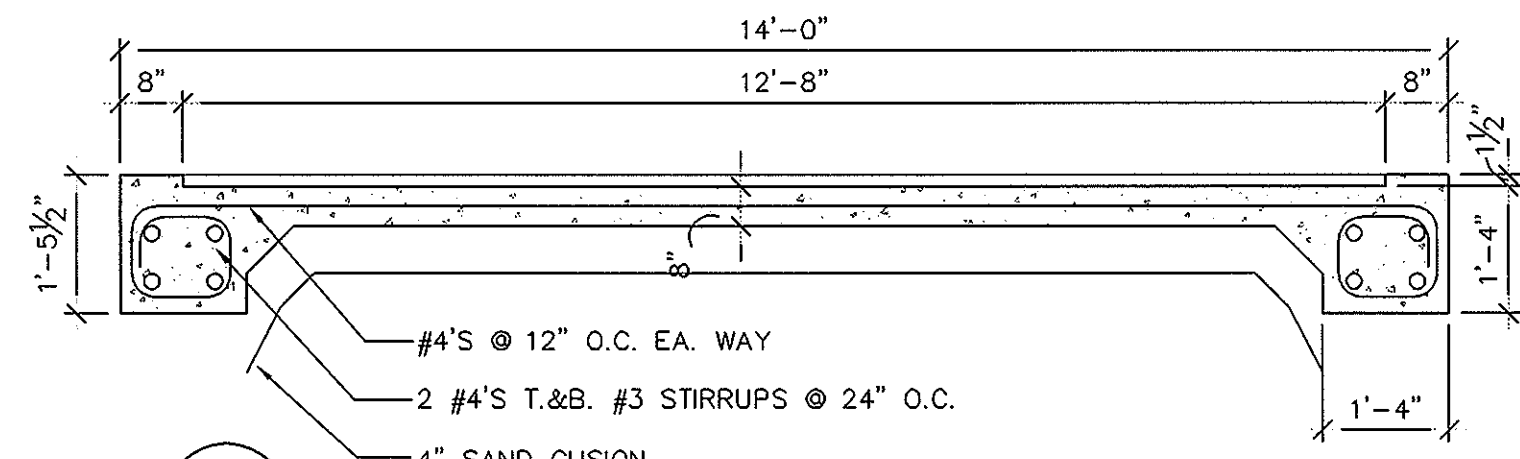
6 REAR ELEVATION DUMPSTER ENCL.
C11 SC: 3/8"=1'-0"



7 SIDE ELEVATION DUMPSTER ENCL.
C11 SC: 3/8"=1'-0"



8 GATE ELEVATION DUMPSTER ENCL.
C11 SC: 3/8"=1'-0"



9 DUMPSTER PAD SECTION
C11 SC: 1/2"=1'-0"

SEE SITE PLAN FOR EXACT SIZE & LOCATION OF DUMPSTER PAD VERIFY SCREEN WALL HT. WITH LOCAL SANITATION REGULATIONS

THESE PLANS ARE INSTRUMENTS OF PROFESSIONAL SERVICE AND ARE PROTECTED BY COMMON LAW, STATUTORY AND OTHER RESERVED RIGHTS INCLUDING COPYRIGHT. THEY MAY NOT BE REPRODUCED OR USED FOR ANY PURPOSE WITHOUT THE WRITTEN CONSENT OF THE DIMENSION GROUP

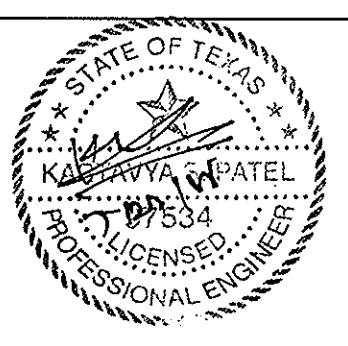
No.	DATE	REVISION / DESCRIPTION	BY	No.	DATE	REVISION / DESCRIPTION	BY

THE DIMENSION GROUP
 CIVIL ENGINEERING • LAND DEVELOPMENT • PLANNING • ARCHITECTURE • CONSTRUCTION MANAGEMENT
 10755 SANDHILL ROAD, DALLAS, TEXAS 75238 TEL: 214-343-9400 FAX: 214-341-9060

PROJECT INFO.
 7-ELEVEN
 NE.C. OF N. GOLIAD STREET
 & FM 552
 ROCKWALL, TEXAS

DRAWING INFO.
 AS-BUILT
 TRASH ENCLOSURE
 DETAILS

PROJECT No. 06127
 DATE: 05/18/07
 DRAWN BY: CS
 CHECKED BY: RA



SHEET NUMBER
 C11

7-ELEVEN-NE.C. OF N. GOLIAD STREET (SH 205) & FM 552, ROCKWALL, TEXAS