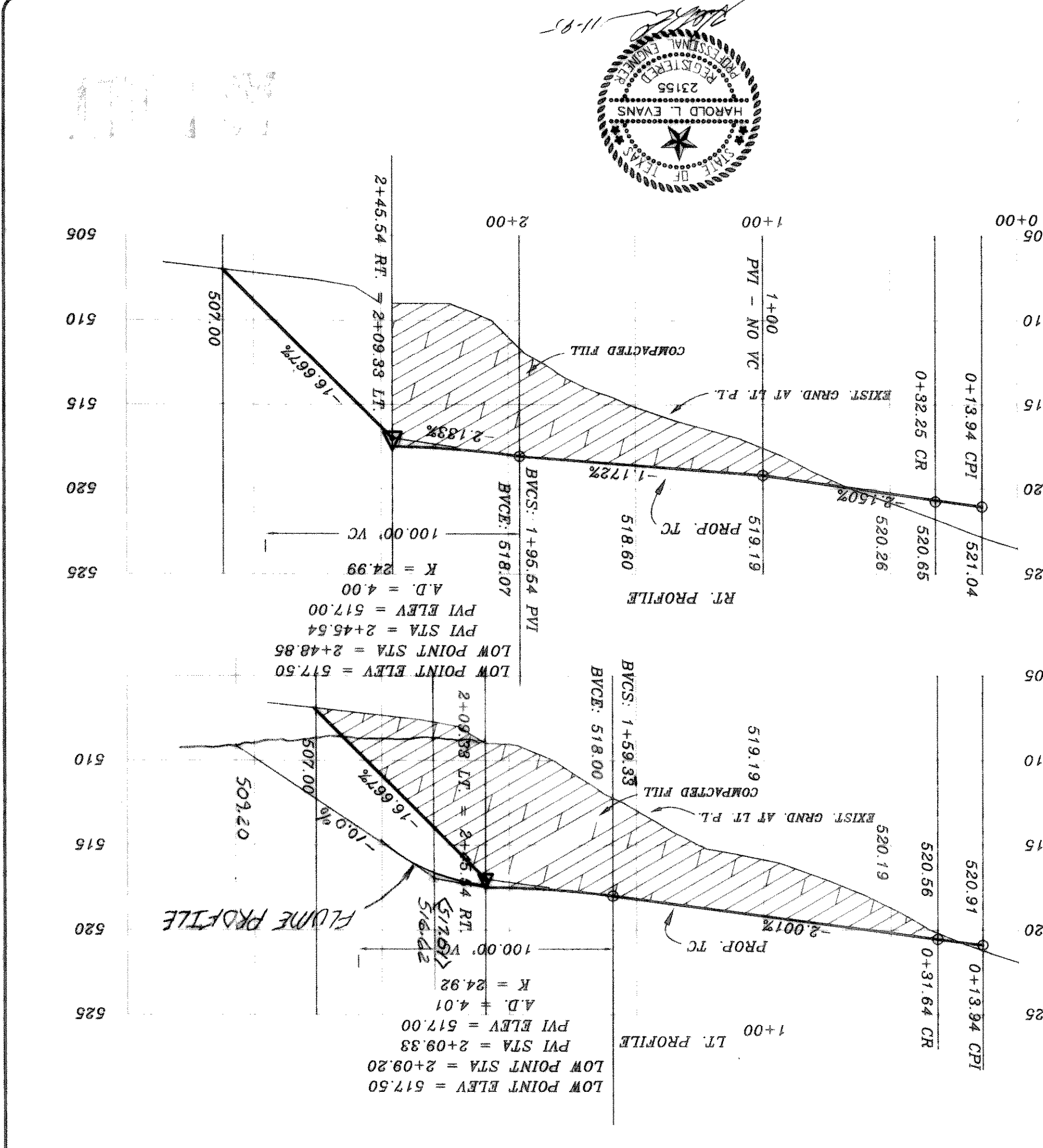
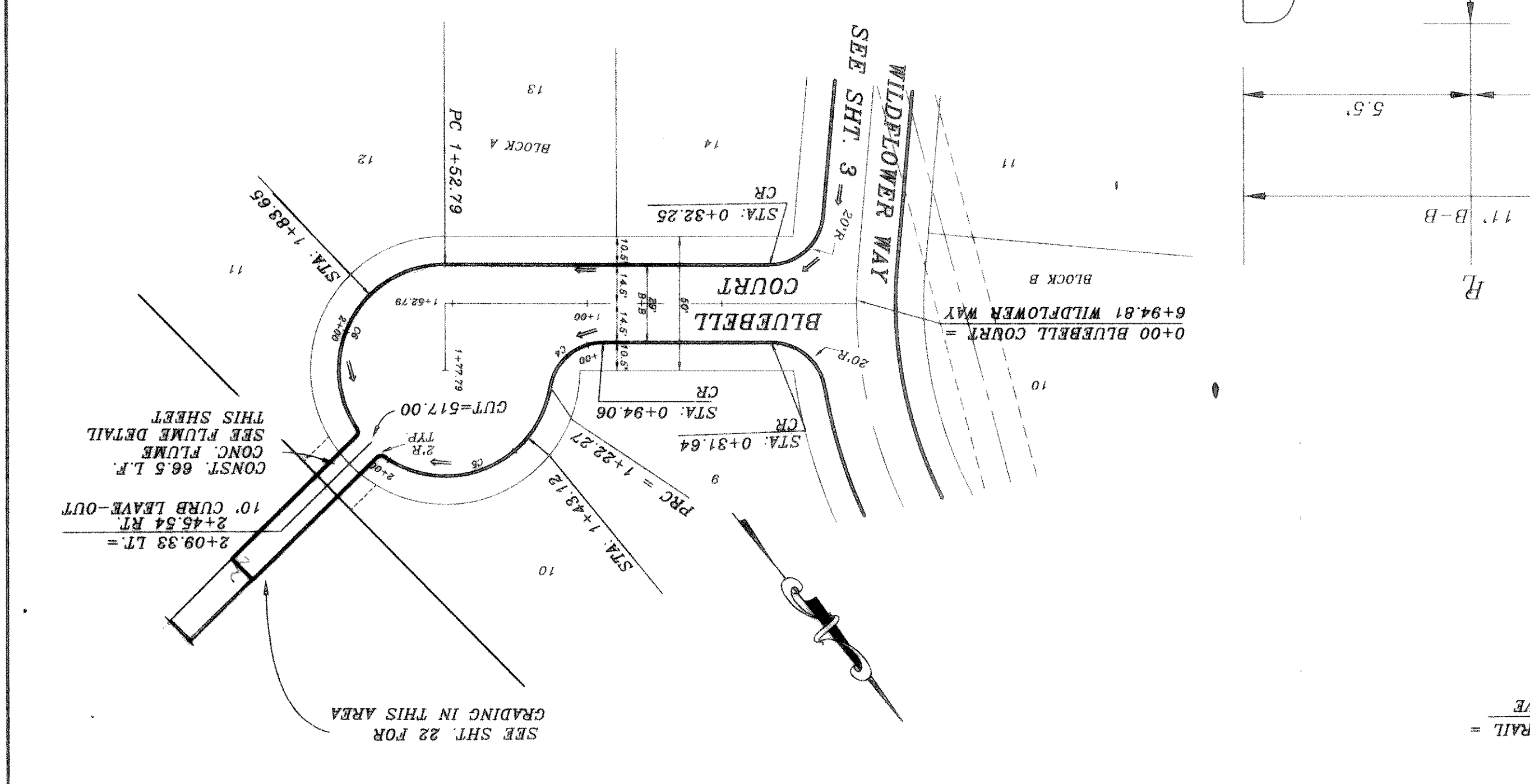
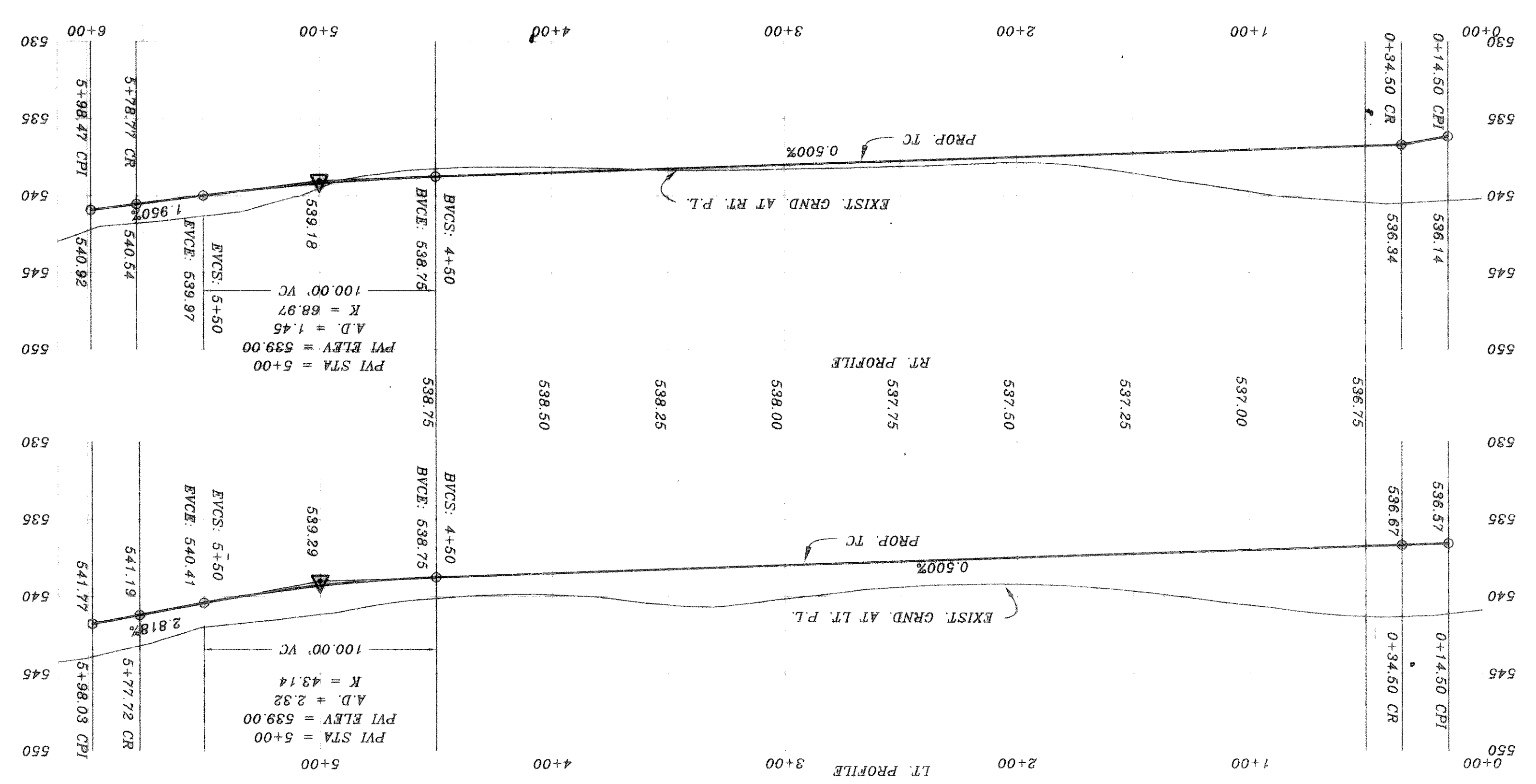
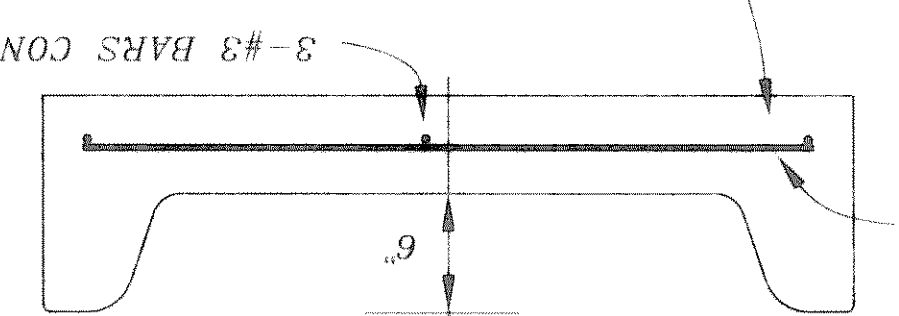


B.M.
 TOP OF EXIST. SAN. SEM. M.H.
 LOC'D AT P.V. STA. - (0+26), 4' LT.
 WILDFLOWER WAY
 ELEVATION = 515.22

B.M.
 TOP OF EXIST. M.H. AT WEST
 CORNER OF LOT 20, BLOCK A, OF
 HIGHLAND MEADOWS
 ELEVATION = 514.85



A-A
FLUME DETAIL
 W/6" CURB ON 2.225%
 N.T.S.



CURVE	RADIUS	LENGTH	TANGENT	CHORD	BACKSIGHT	BRANING	DELTA
C1	115.00	112.80	55.44	110.95	55.44	55.44	98.45
C2	176.27	176.27	88.61	176.27	88.61	88.61	90.42
C3	175.00	175.00	87.50	175.00	87.50	87.50	90.42
C4	20.00	20.00	10.00	20.00	10.00	10.00	90.42
C5	39.50	39.50	19.75	39.50	19.75	19.75	90.42
C6	38.00	38.00	19.00	38.00	19.00	19.00	90.42

