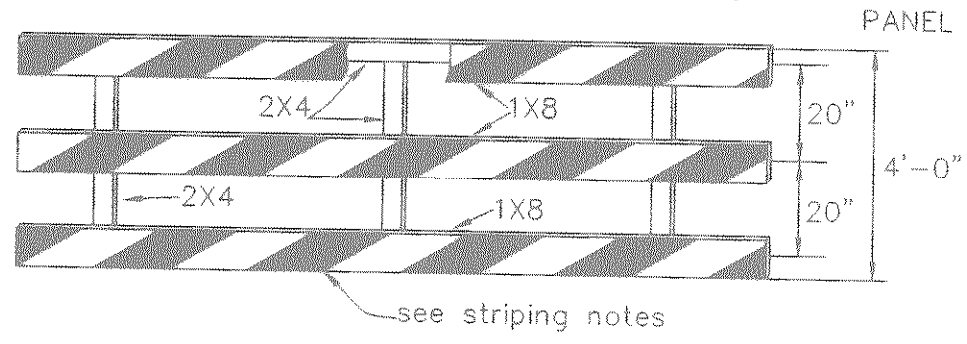


TxDOT BARRICADE & CONSTRUCTION STDS. SECTION BC (3) -94

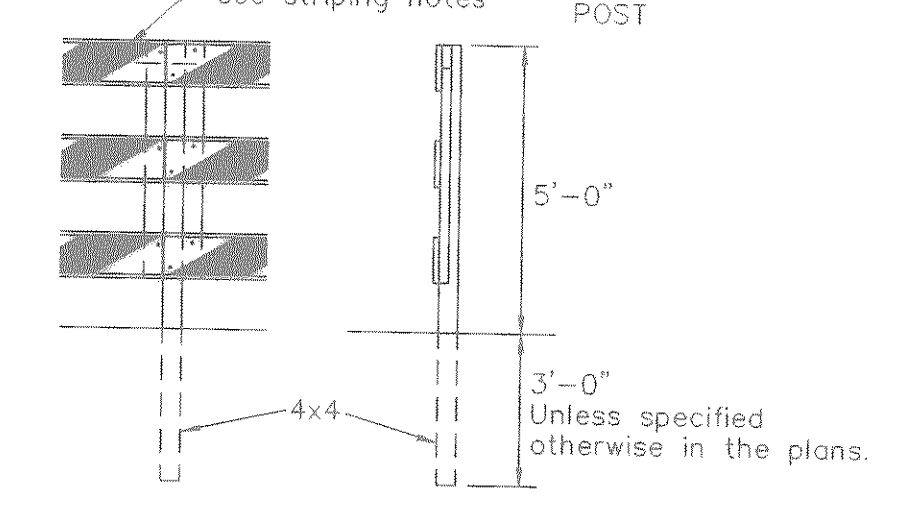
TYPE III

The three (3) rails on Type III barricades shall be reflective red and reflective white stripes on one side facing one-way traffic and both sides for two-way traffic.

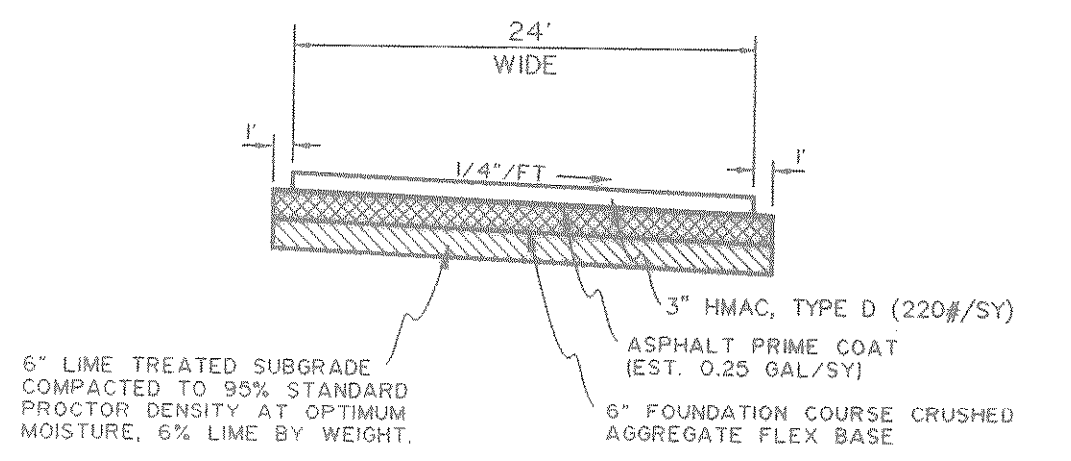
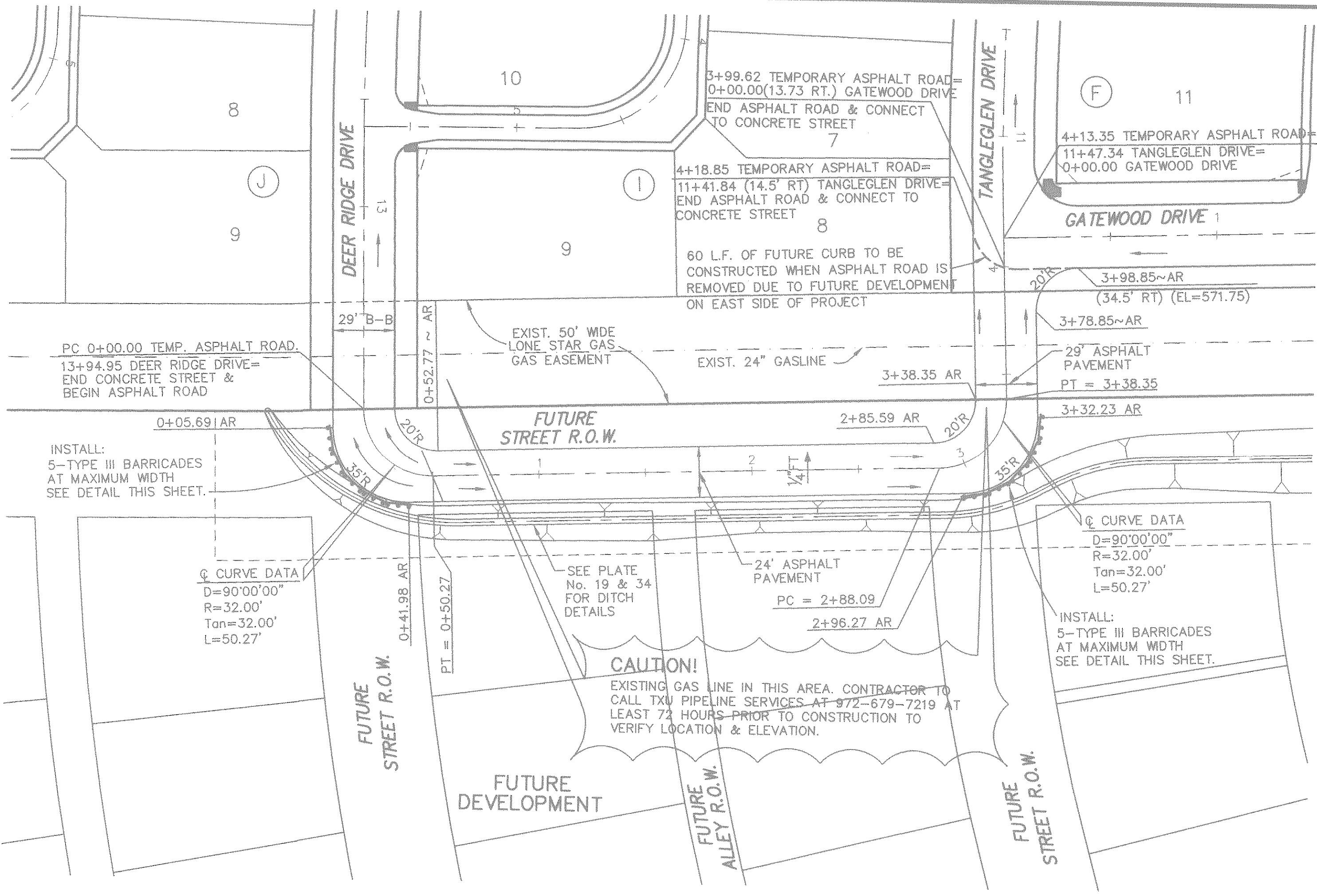
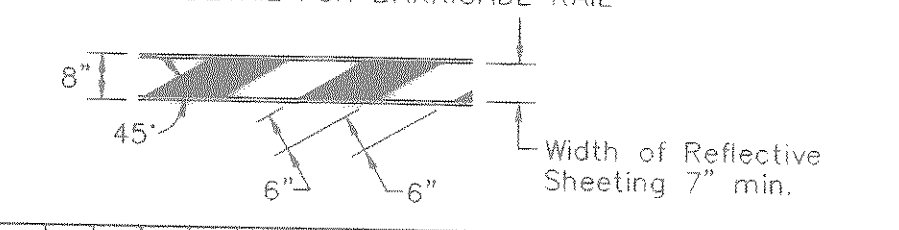
4'-0" min. 12'-0" usual, maximum is variable



see striping notes

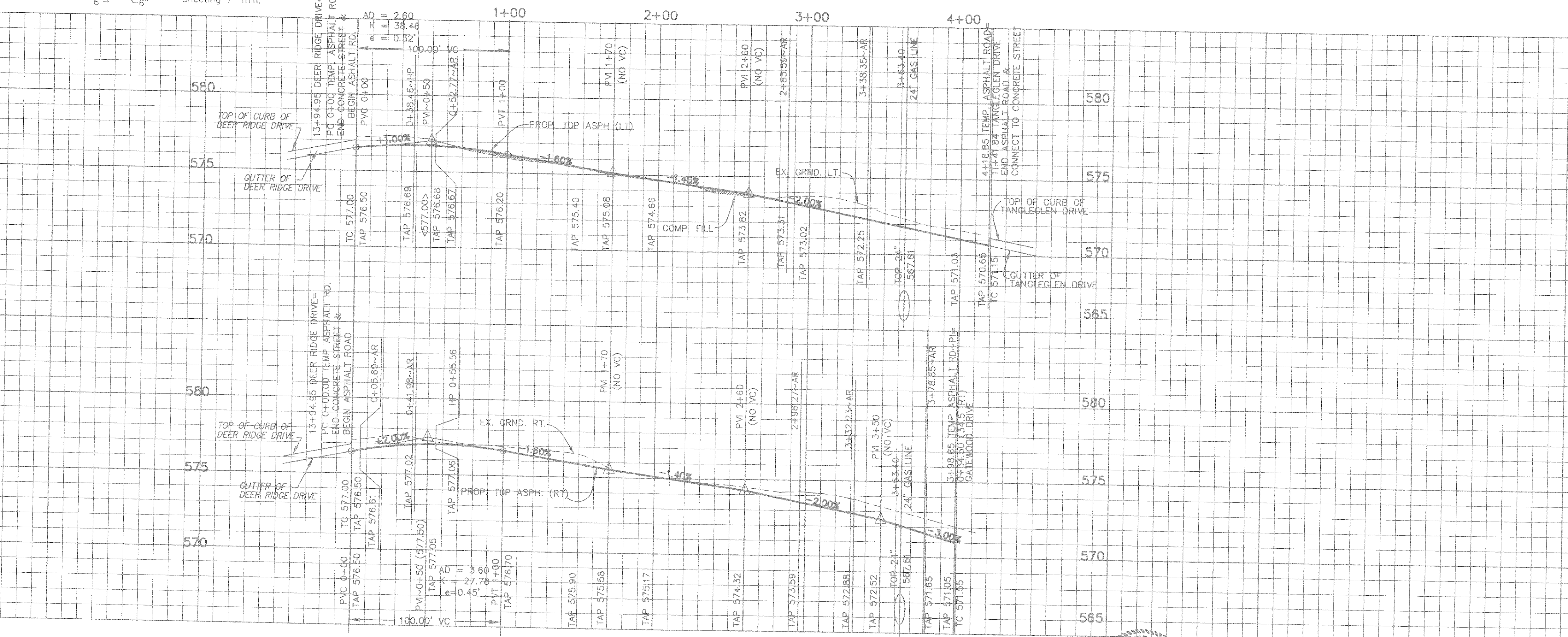


STRIPING



TEMPORARY ASPHALT ROAD SECTION
NTS

TAP=TOP ASPHALT PAVEMENT
AR=ASPHALT RETURN



RECORD DRAWINGS August 19, 2002
NOTE: THE INTENT OF THE OWNER AND ENGINEER WAS TO CONSTRUCT THE IMPROVEMENTS ACCORDING TO THESE PLANS AS APPROVED BY THE CITY OF ROCKWALL. THE LINES AND GRADES WERE SET ON THE GROUND FOR CONSTRUCTION ACCORDING TO SAID PLANS. WE ARE NOT AWARE OF ANY CHANGES OR REVISION TO THESE PLANS DURING CONSTRUCTION EXCEPT AS NOTED ON THE PLANS.

TEMPORARY ASPHALT ROAD ASPHALT PAVING PLAN & PROFILE HICKORY RIDGE PHASE TWO

CITY OF ROCKWALL
ROCKWALL COUNTY, TEXAS

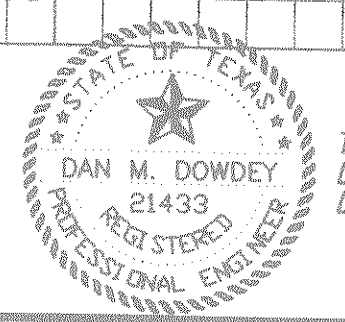
DOWDEY, ANDERSON & ASSOCIATES, INC.
5225 VILLAGE CREEK DR., STE. 200 (972) 931-0694 PLANO, TEXAS

DESIGN	DRAWN	CHECKED	DATE	SCALE	JOB	SHEET
JDS	RR	DMD	MAR 2001	H: 1"=40' V: 1"=4'	99066	15 15

BENCHMARK:
SQUARE CUT ON TOP OF HEADWALL AT THE MOST NORTHERLY CORNER OF BRIDGE, NORTHEASTERLY SIDE OF FM 205, 1680'± NORTHWEST OF CL OF MIMS ROAD.
ELEV = 529.11

BENCHMARK:
CITY OF ROCKWALL, TEXAS CONTROL MONUMENT #929. TOP OF HEADWALL IN NORTHWEST CORNER OF BRIDGE OVER SQUABBLE CREEK, SOUTHWESTERLY SIDE OF FM 205.
ELEV = 524.55

THESE CONSTRUCTION PLANS WERE PREPARED UNDER THE RESPONSIBLE SUPERVISION OF DAN M. DOWDEY REGISTERED PROFESSIONAL ENGINEER No. 21433



THE SEAL APPEARING ON THIS DOCUMENT WAS AUTHORIZED BY DAN M. DOWDEY P.E. # 21433

NO.	DATE	BY	REVISION