

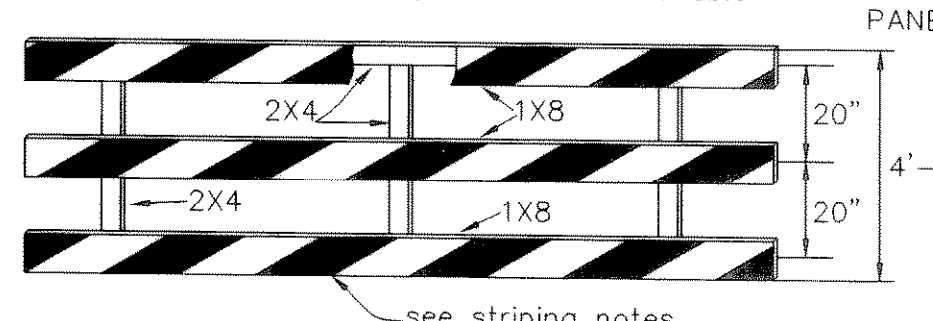


TxDOT BARRICADE & CONSTRUCTION STDS. SECTION BC (3) -94

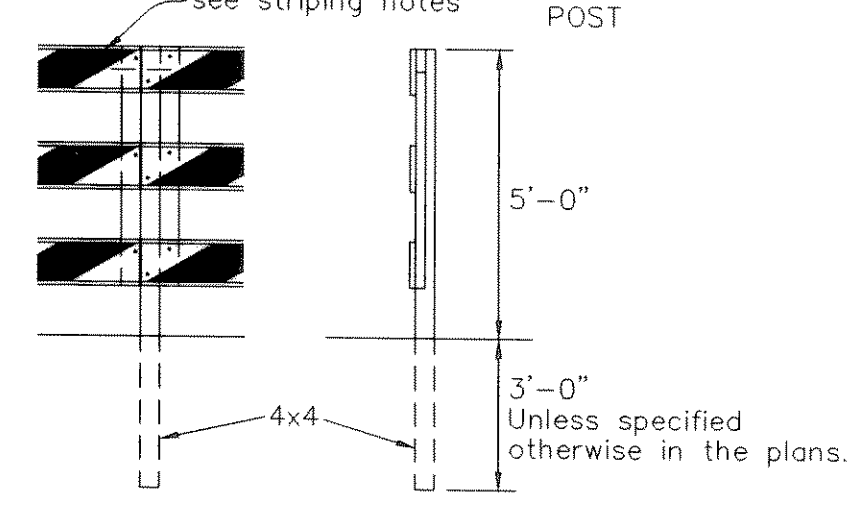
TYPE III

The three (3) rails on Type III barricades shall be reflective orange and reflective white stripes on one side facing one-way traffic and both sides for two-way traffic.

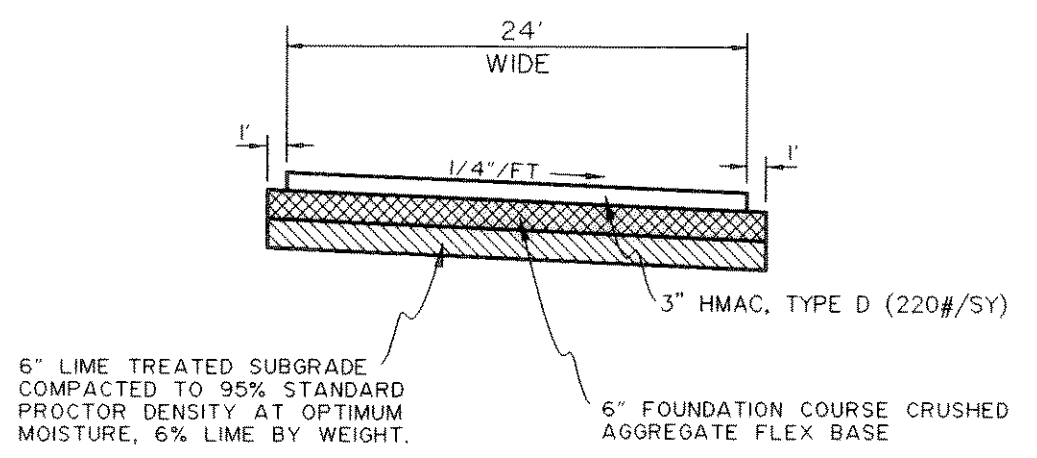
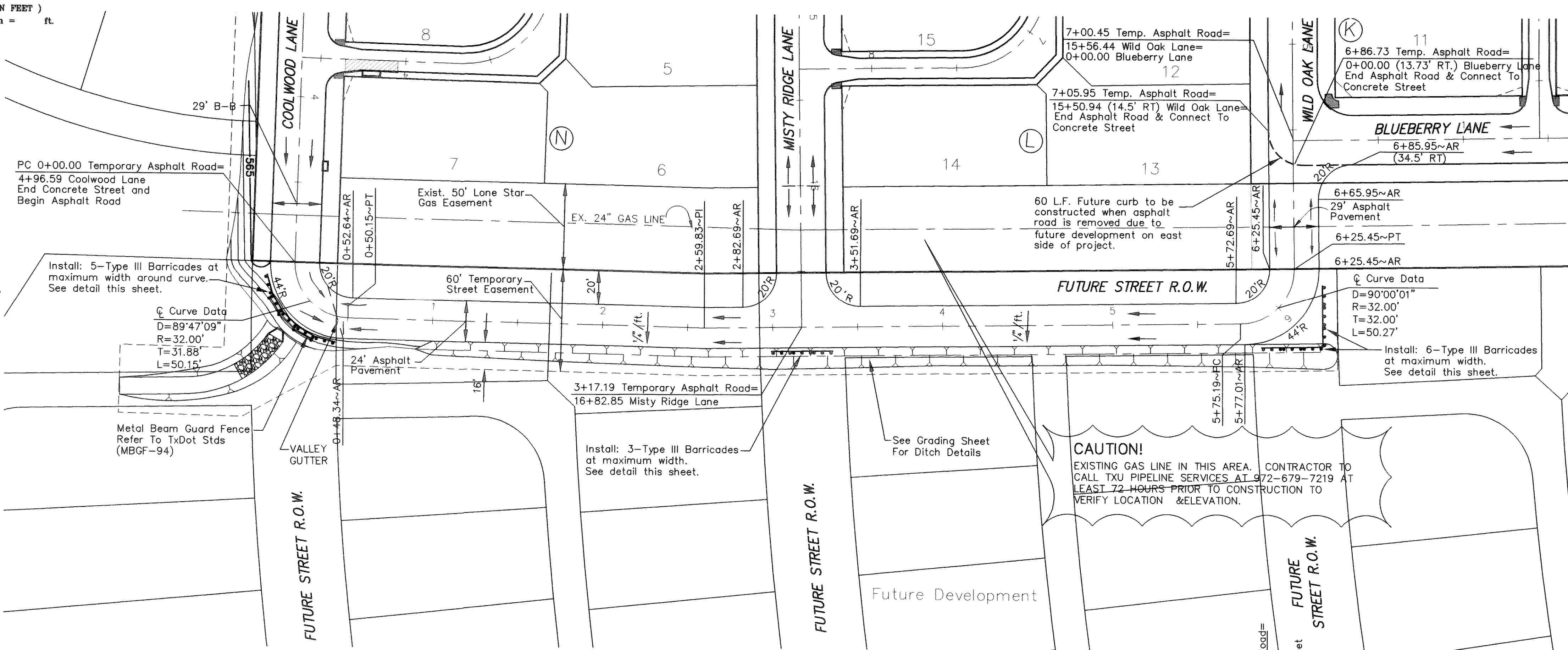
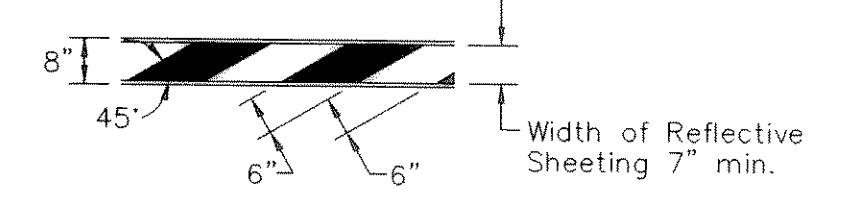
4'-0" min. 12'-0" usual, maximum is variable



Install: 5-Type III Barricades at maximum width around curve. See detail this sheet.



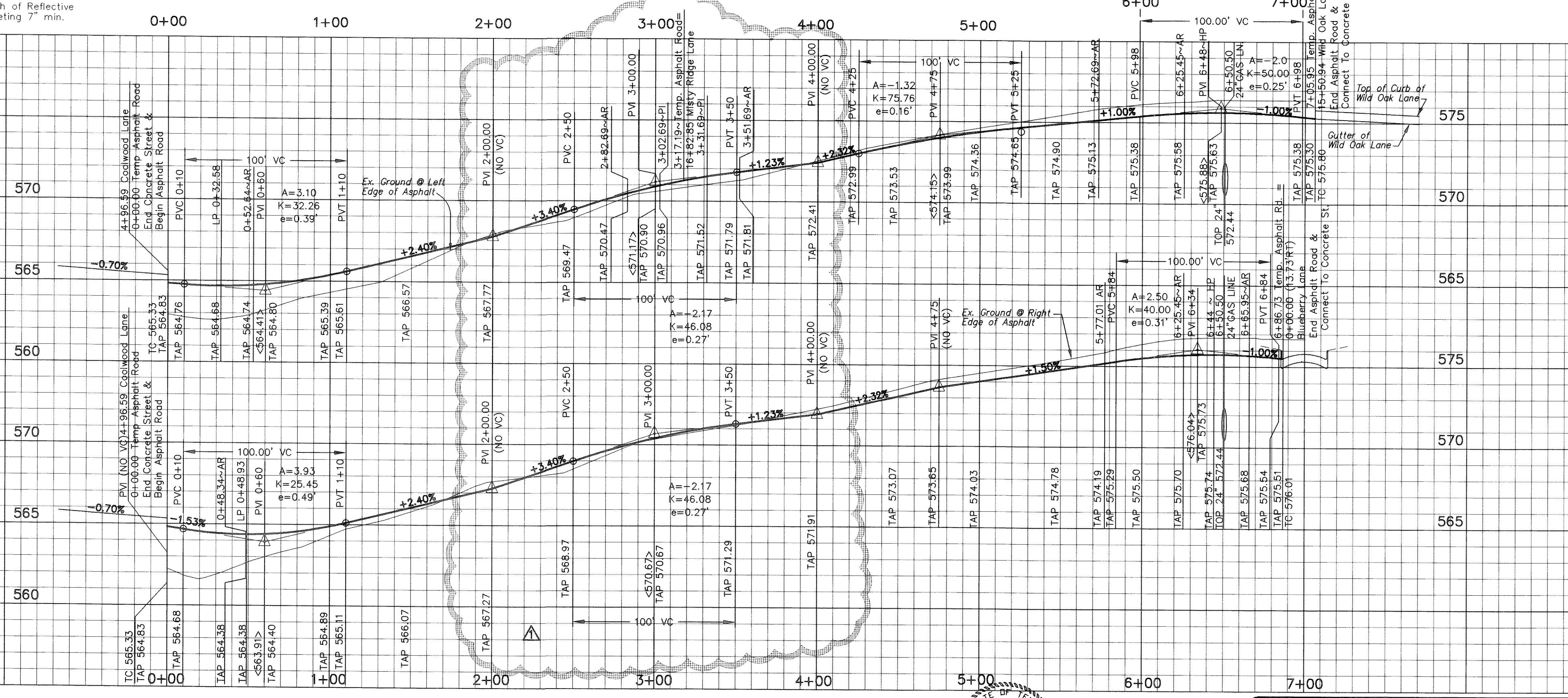
STRIPING
TYPICAL DETAIL FOR BARRICADE RAIL



TEMPORARY ASPHALT ROAD SECTION NTS

CAUTION!
EXISTING GAS LINE IN THIS AREA. CONTRACTOR TO CALL TXU PIPELINE SERVICES AT 972-679-7219 AT LEAST 72 HOURS PRIOR TO CONSTRUCTION TO VERIFY LOCATION & ELEVATION.

TAP=TOP ASPHALT PAVEMENT
AR=ASPHALT RETURN



RECORD DRAWINGS OCT. 8, 2001
NOTE: THE INTENT OF THE OWNER AND ENGINEER WAS TO CONSTRUCT THE IMPROVEMENTS ACCORDING TO THESE PLANS AS APPROVED BY THE CITY OF ROCKWALL. THE LINES AND GRADES WERE SET ON THE GROUND FOR CONSTRUCTION ACCORDING TO SAID PLANS. WE ARE NOT AWARE OF ANY CHANGES OR REVISIONS TO THESE PLANS DURING CONSTRUCTION EXCEPT AS NOTED ON THE PLANS.

TEMPORARY ASPHALT ROAD ASPHALT PAVING PLAN & PROFILE HICKORY RIDGE PHASE ONE

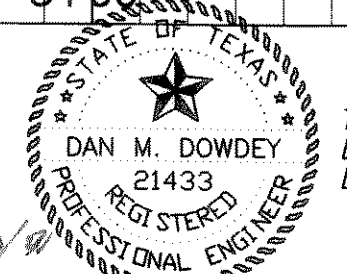
CITY OF ROCKWALL
ROCKWALL COUNTY, TEXAS

DOWDEY, ANDERSON & ASSOCIATES, INC.
5225 VILLAGE CREEK DR., STE. 200 (972) 931-0694 PLANO, TEXAS

DESIGN	DRAWN	CHECKED	DATE	SCALE	JOB	SHEET
JDS	RR	DD	OCT 2000	H: 1"=40' V: 1"=4'	99066	20

THESE CONSTRUCTION PLANS WERE PREPARED UNDER THE RESPONSIBLE SUPERVISION OF DAN M. DOWDEY REGISTERED PROFESSIONAL ENGINEER No. 21433

THE SEAL APPEARING ON THIS DOCUMENT WAS AUTHORIZED BY DAN M. DOWDEY P.E. # 21433



BENCHMARK:
SQUARE CUT ON TOP OF HEADWALL AT THE MOST NORTHERLY CORNER OF BRIDGE, NORTHEASTERLY SIDE OF FM 205. 1680± NORTHWEST OF CL OF MIMS ROAD. ELEV = 529.11

BENCHMARK:
CITY OF ROCKWALL, TEXAS CONTROL MONUMENT #929. TOP OF HEADWALL IN NORTHWEST CORNER OF BRIDGE OVER SQUABBLE CREEK, SOUTHWESTERLY SIDE OF FM 205. ELEV = 524.55