

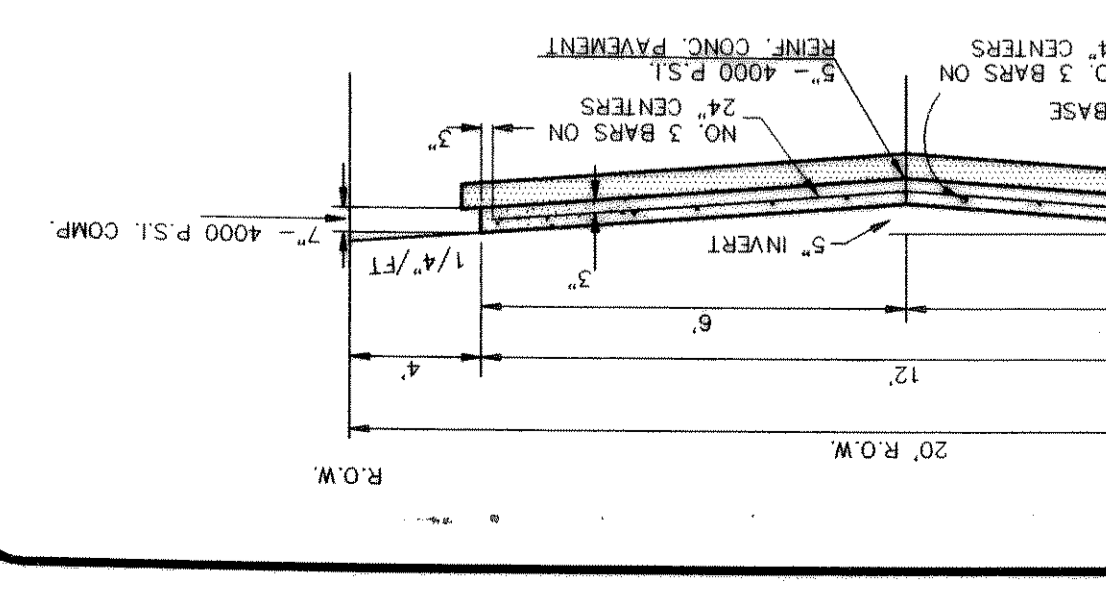
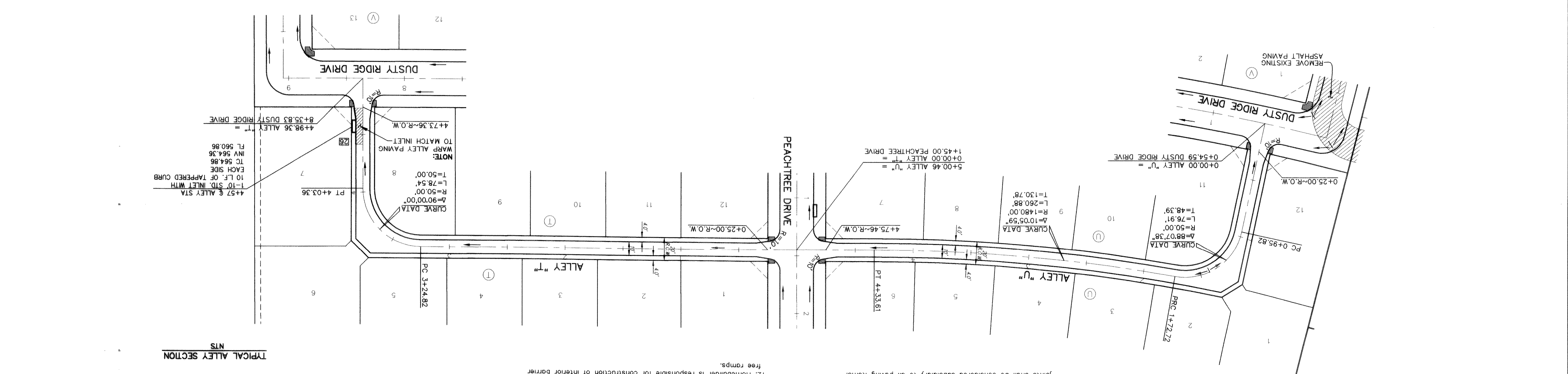
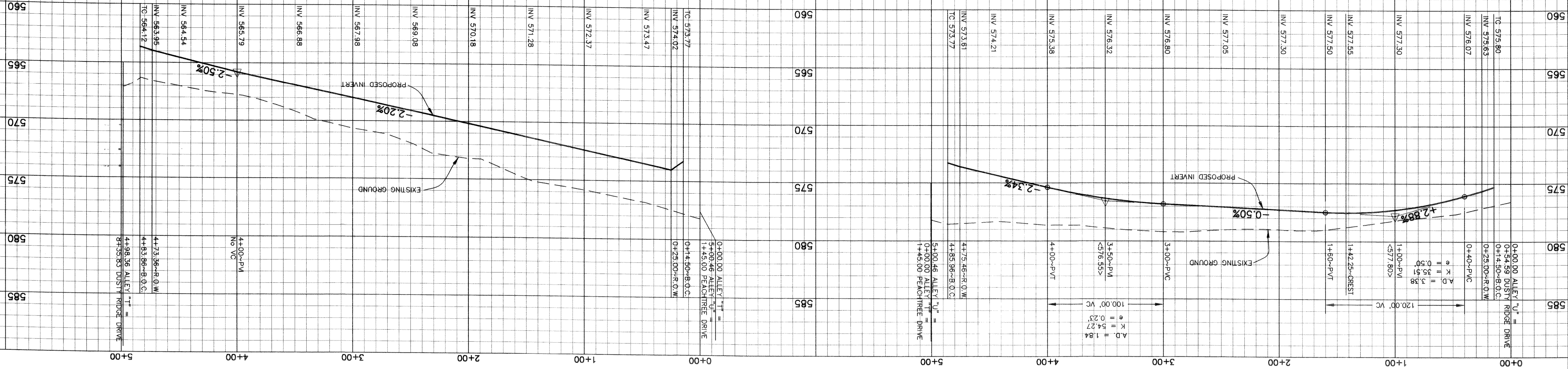
DESIGN	DRAWN	CHECKED	DATE	SCALE	JOB	SHEET
JDS	JDS	JDS	OCT 2002	1"=40'	99-066	23
<b>DOWDEY, ANDERSON &amp; ASSOCIATES, INC.</b> 8225 VILLAGE CREEK DR., STE. 200 (972) 931-0894 PLANO, TEXAS						

**ALLEY 'U' & ALLEY 'T'**  
**PAVING PLAN & PROFILE**  
 HICKORY RIDGE PHASE FOUR  
 CITY OF ROCKWALL  
 ROCKWALL COUNTY, TEXAS

NO.	DATE	BY	REVISION
1	3-3-03	JDS	CITY MARKUPS

NOTE: THE INTENT OF THE OWNER AND ENGINEER WAS TO CONSTRUCT THE IMPROVEMENTS ACCORDING TO THESE PLANS AS APPROVED BY THE CITY OF ROCKWALL. THE LINES AND GRADPS WERE SET ON THE GROUND FOR CONSTRUCTION ACCORDING TO SAID PLANS. WE ARE NOT AWARE OF ANY CHANGES OR REVISION TO THESE PLANS DURING CONSTRUCTION EXCEPT AS NOTED ON THE PLANS.

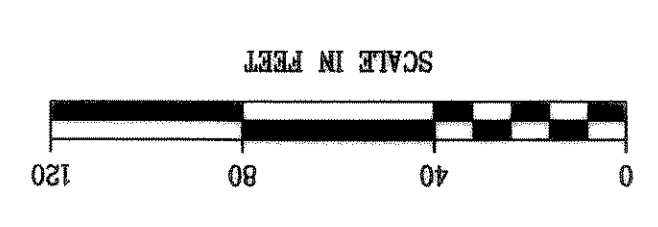
THE SEAL APPEARING ON THIS DOCUMENT WAS AUTHORIZED BY DAN M. DOWDEY P.E. # 21433  
 STATE OF TEXAS  
 PROFESSIONAL ENGINEER  
 REGISTERED  
 21433  
 DAN M. DOWDEY  
 PREPARED UNDER THE RESPONSIBLE SUPERVISION OF DAN M. DOWDEY REGISTERED PROFESSIONAL ENGINEER No. 21433



**TYPICAL ALLEY SECTION**  
 NTS

**PAVING GENERAL NOTES**

- Street construction shall conform to the "Standard Specifications for Public Works Construction North Central Texas" and the Standard Construction Details as modified by City of Rockwall.
- All street pavement shall be Class "S" concrete (minimum 3600 psi). 6 sack min, 6.5 sack min for hand pour and all alley pavement shall be Class "F" concrete (minimum 4000 psi), 6.5 sack min, 7 sack min for hand pour per item 7.4.5 P.W.C.N.C.T. Both methods reinforced with #3 or #4 bars shown, both spaced 24" O.C.E.W. hand finishing will be as per item 5.8.2. (h)(2) with 5.5 sack minimum or machine finishing will be as per item 5.8.2. (h)(1) with 6 sack minimum for 3600 psi.
- All parkways shall slope a minimum of 1/4" per foot up from the curb to the right-of-way line, then at a 4:1 slope to match existing grade.
- Sloping and sealing of all longitudinal and transverse pavement joints shall be considered subsidiary to all paving items.
5. For classes of concrete pavement, refer to item 7.4.5 of "Standard Specifications for Public Works Construction North Central Texas".
7. For maximum slump of concrete for pavement refer to item 7.4.5 of "Standard Specifications for Public Works Construction North Central Texas".
8. Contractor responsible for all lay down curbs at B.F.R.'s (typ), and 4" thick sidewalk at alley per City of Rockwall Standard Detail.
9. Contractor responsible for the protection of all public utilities during the paving construction.
10. All fill shall be compacted to 95% standard proctor density in a maximum of 6" lifts or per geotechnical engineers report.
11. Use sheeps' foot roller in areas of fill.
12. Homebuilder is responsible for construction of interior barrier free ramps.



BENCHMARK: SQUARE CUT ON TOP OF HEADWALL AT THE MOST NORTHERLY CORNER OF BRIDGE. NORTHWESTERLY SIDE OF FM 205. CITY OF ROCKWALL, TEXAS CONTROL MONUMENT #29. TOP OF HEADWALL IN NORTHWESTERLY SIDE OF FM 205. BENCHMARK: ELEV = 524.55  
 CREEK, SOUTHWESTERLY SIDE OF FM 205. ELEV = 529.11