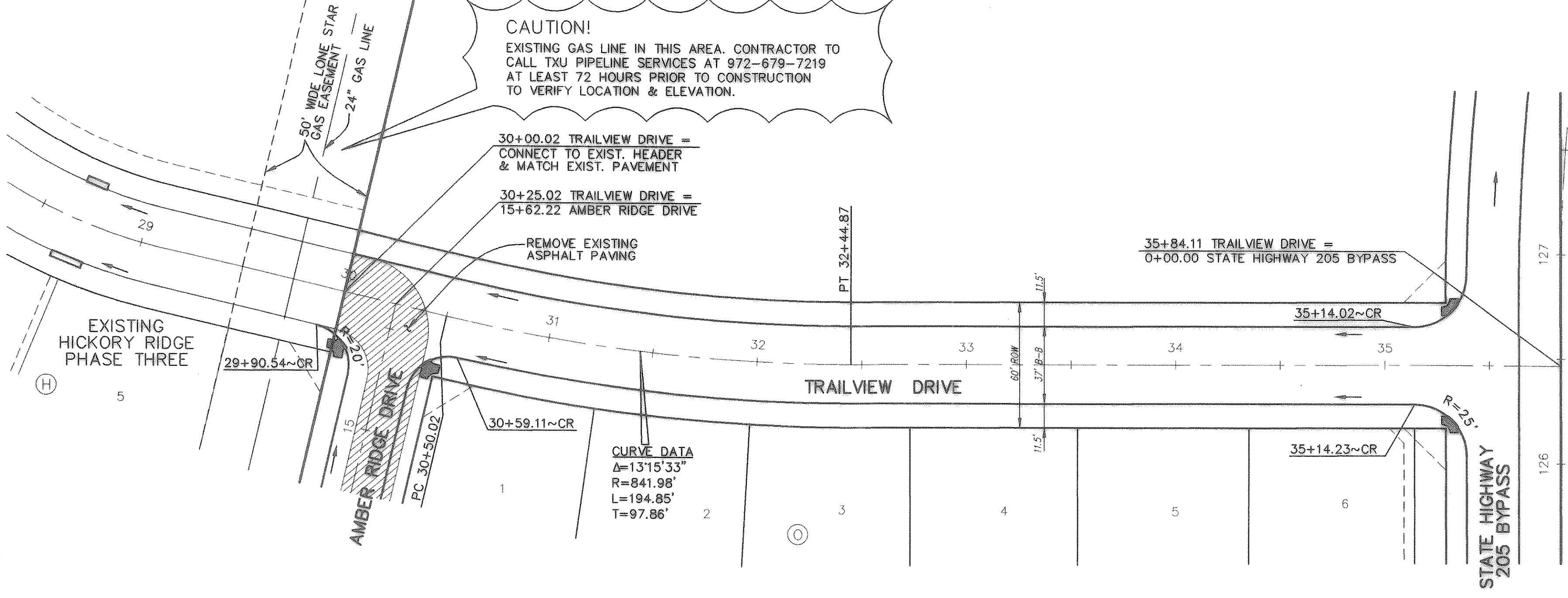
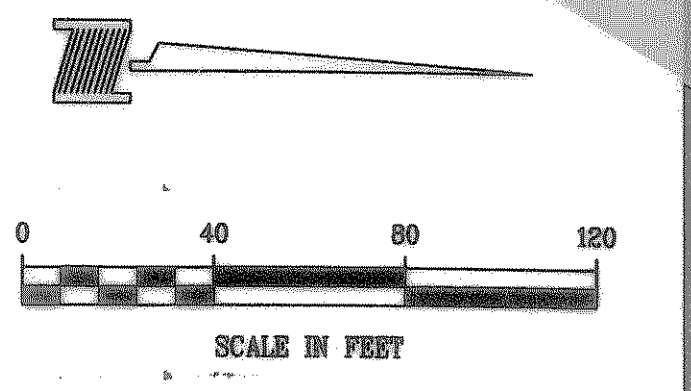
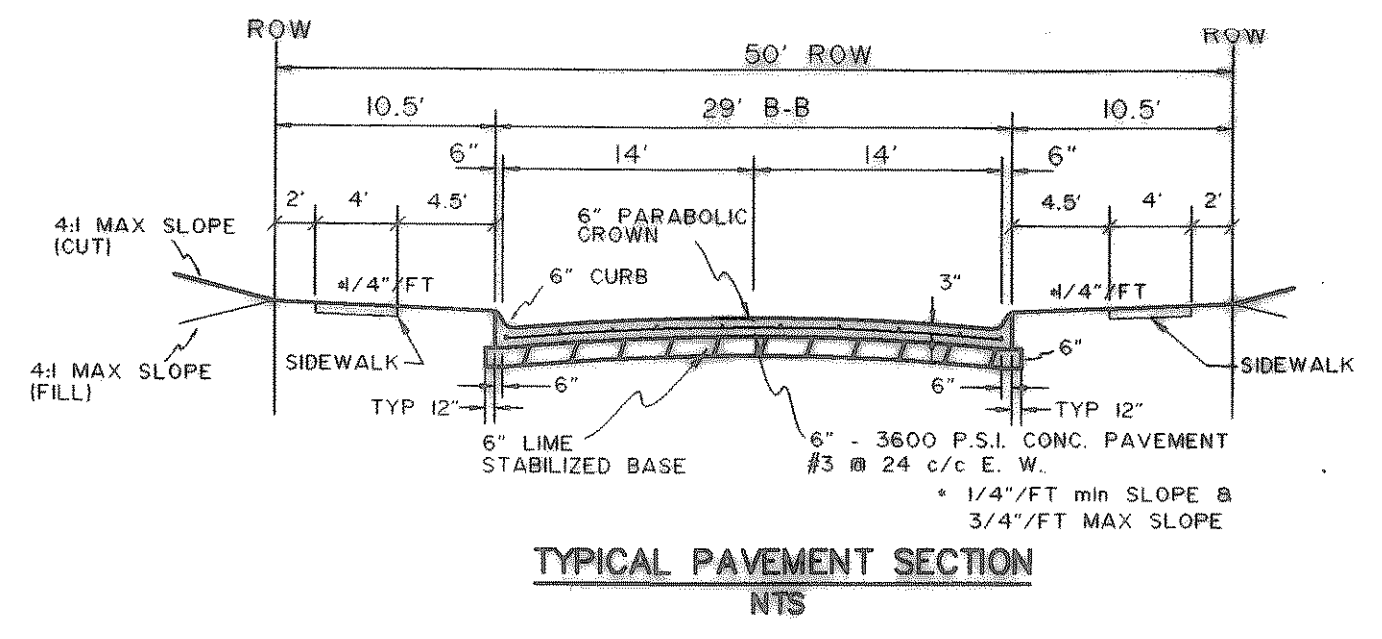


PAVING GENERAL NOTES

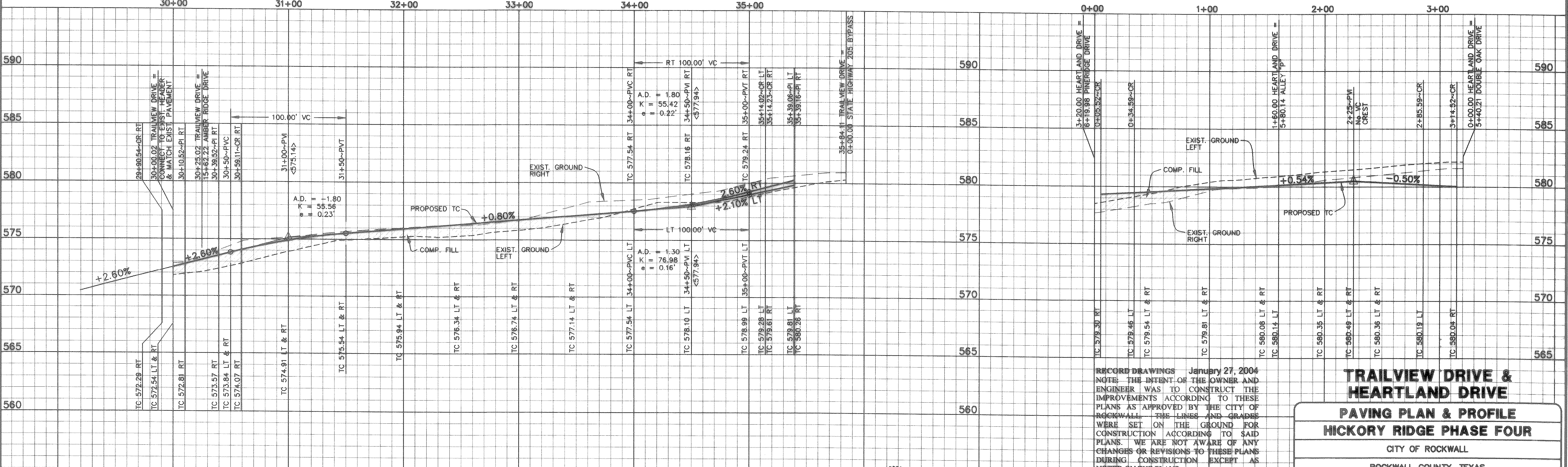
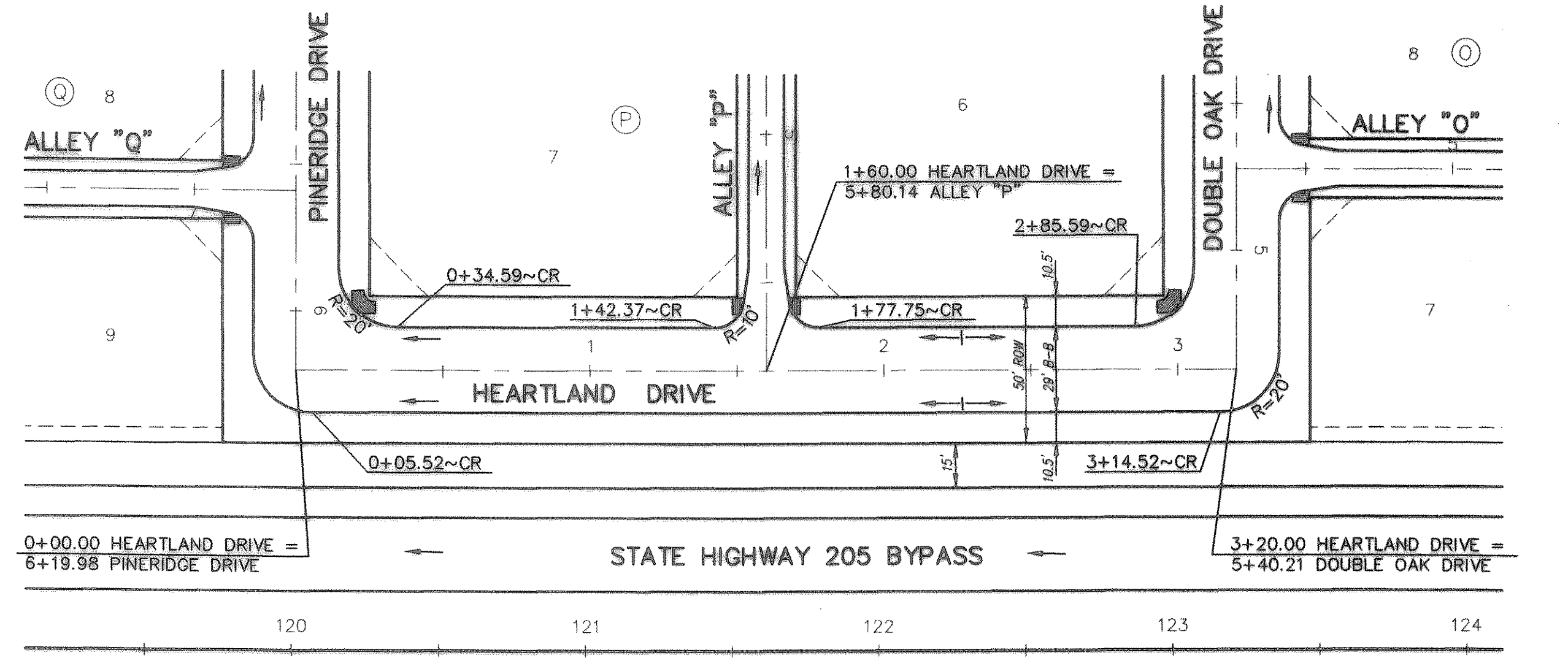
- Street construction shall conform to the "Standard Specifications for Public Works Construction North Central Texas" and the Standard Construction Details as modified by City of Rockwall.
- All street pavement shall be Class "S" concrete (minimum 3600 psi), 6 sack min, 6.5 sack min for hand pour and all alley pavement shall be Class "F" concrete (minimum 4000 psi), 6.5 sack min, 7 sack min for hand pour per item 7.4.5 P.W.C.N.C.T. Both methods reinforced with #3 or #4 bars shown, both spaced 24" O.C.E.W. hand finishing will be as per item 5.8.2 (h)(2) with 6.5 sack minimum or machine finishing will be as per item 5.8.2 (h)(1) with 6 sack minimum for 3600 psi.
- All parkways shall slope a minimum of 1/4" per foot up from the curb to the right-of-way line, then at a 4:1 slope to match existing grade.
- Sawing and sealing of all longitudinal and transverse pavement joints shall be considered subsidiary to all paving items.
- For classes of concrete pavement, refer to Item 7.4.5 of "Standard Specifications for Public Works Construction North Central Texas".
- For placing of concrete pavement refer to Item 7.6.9 of "Standard Specifications for Public Works Construction North Central Texas".
- For maximum slump of concrete for pavement refer to Item 7.4.5 of "Standard Specifications for Public Works Construction North Central Texas".
- Contractor responsible for all lay down curbs at B.F.R.'s (typ), and 4" thick Sidewalk at alley per City of Rockwall Standard Detail.
- Contractor responsible for the protection of all public utilities during the paving construction.
- All fill shall be compacted to 95% standard proctor density in a maximum of 6" lifts or per geotechnical engineers report.
- Use sheep's foot roller in areas of fill.
- Homebuilder is responsible for construction of interior barrier free ramps.



CAUTION!
EXISTING GAS LINE IN THIS AREA. CONTRACTOR TO CALL TXU PIPELINE SERVICES AT 972-679-7219 AT LEAST 72 HOURS PRIOR TO CONSTRUCTION TO VERIFY LOCATION & ELEVATION.

30+00.02 TRAILVIEW DRIVE =
CONNECT TO EXIST. HEADER
& MATCH EXIST. PAVEMENT
30+25.02 TRAILVIEW DRIVE =
15+62.22 AMBER RIDGE DRIVE
REMOVE EXISTING
ASPHALT PAVING

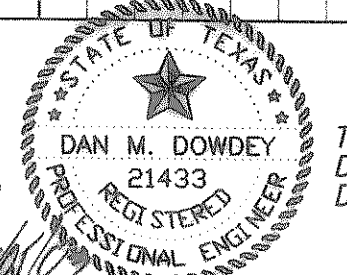
CURVE DATA
Δ=131°5'33"
R=841.98'
L=194.85'
T=97.86'



BENCHMARK:
SQUARE CUT ON TOP OF HEADWALL AT THE MOST NORTHERLY CORNER OF BRIDGE. NORTHEASTERLY SIDE OF FM 205. 1680' NORTHWEST OF CL OF MIMS ROAD. ELEV = 529.11

BENCHMARK:
CITY OF ROCKWALL, TEXAS CONTROL MONUMENT #929. TOP OF HEADWALL IN NORTHWEST CORNER OF BRIDGE OVER SOUABBLE CREEK. SOUTHWESTERLY SIDE OF FM 205. ELEV = 524.55

THESE CONSTRUCTION PLANS WERE PREPARED UNDER THE RESPONSIBLE SUPERVISION OF DAN M. DOWDEY REGISTERED PROFESSIONAL ENGINEER No. 21433



THE SEAL APPEARING ON THIS DOCUMENT WAS AUTHORIZED BY DAN M. DOWDEY P.E. # 21433

NO.	DATE	BY	REVISION
1	3-3-03	JDS	CITY MARKUPS

TRAILVIEW DRIVE & HEARTLAND DRIVE
PAVING PLAN & PROFILE
HICKORY RIDGE PHASE FOUR
CITY OF ROCKWALL
ROCKWALL COUNTY, TEXAS
DOWDEY, ANDERSON & ASSOCIATES, INC.
5225 VILLAGE CREEK DR., STE. 200 (972) 931-0694 PLANO, TEXAS

DESIGN	DRAWN	CHECKED	DATE	SCALE	JOB	SHEET
JDS	JDS	MSD	OCT 2002	H: 1"=40' V: 1"=4'	99-066	1/28