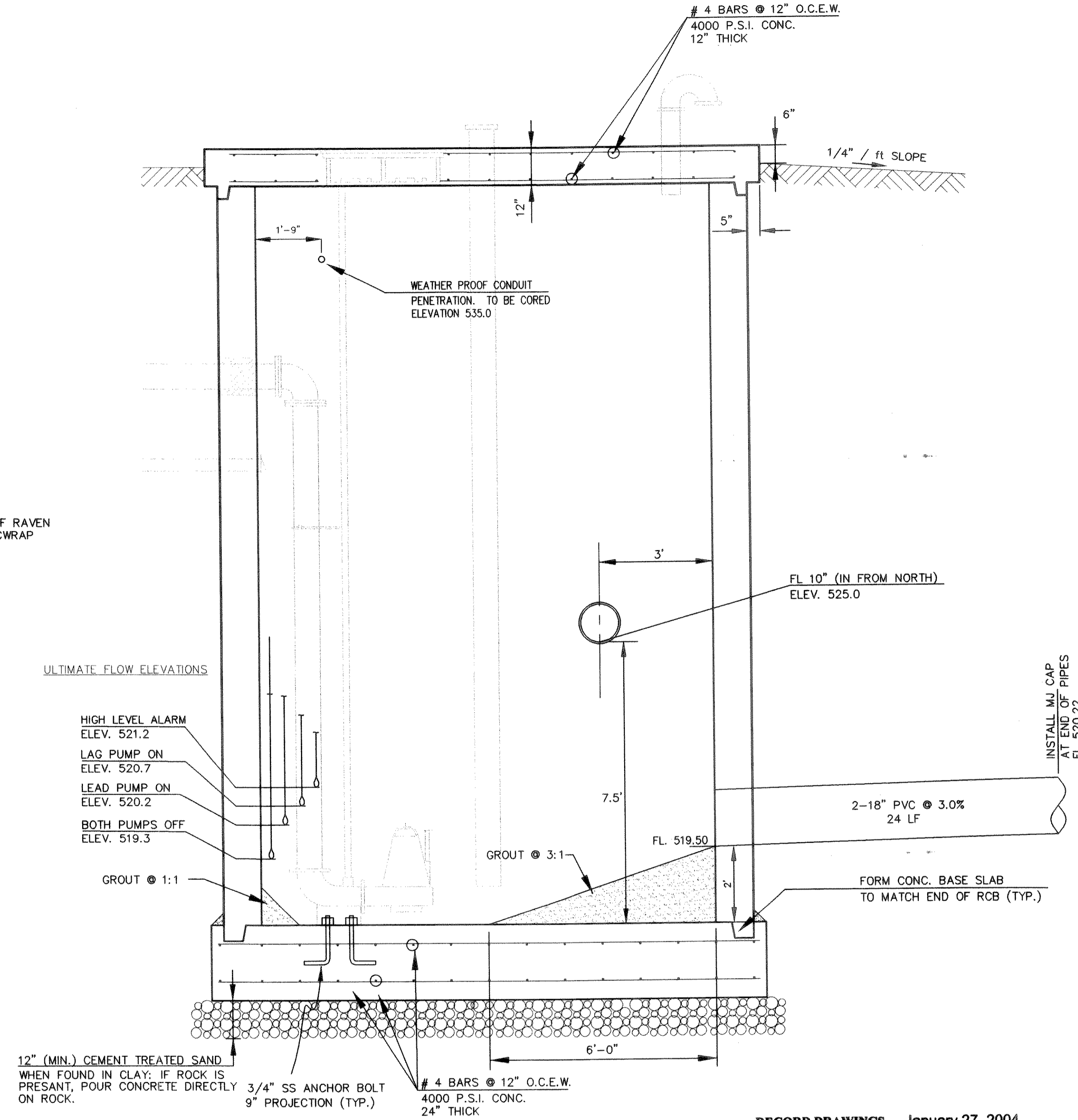


SECTION A-A  
1"=2'



SECTION A-A  
1"=2'

**RECORD DRAWINGS** January 27, 2004  
 NOTE: THE INTENT OF THE OWNER AND ENGINEER WAS TO CONSTRUCT THE IMPROVEMENTS ACCORDING TO THESE PLANS AS APPROVED BY THE CITY OF ROCKWALL. THE LINES AND GRADES WERE SET ON THE GROUND FOR CONSTRUCTION ACCORDING TO SAID PLANS. WE ARE NOT AWARE OF ANY CHANGES OR REVISION TO THESE PLANS DURING CONSTRUCTION EXCEPT AS NOTED ON THE PLANS.

**VERTICAL SECTION  
 LIFT STATION SECTION  
 HICKORY RIDGE PHASE FOUR**

CITY OF ROCKWALL  
 ROCKWALL COUNTY, TEXAS

**DOWDEY, ANDERSON & ASSOCIATES, INC.**  
 5225 VILLAGE CREEK DR., STE. 200 (972) 931-0694 PLANO, TEXAS

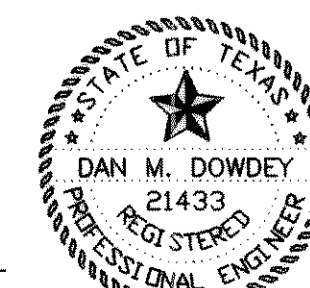
DESIGN	DRAWN	CHECKED	DATE	SCALE	JOB	SHEET
DLH	DLH	DMD	MAR 2003	1"=2'	99-066	4/6

BENCHMARK:  
 SQUARE CUT ON TOP OF HEADWALL AT THE MOST NORTHERLY CORNER OF BRIDGE. NORTHEASTERLY SIDE OF FM 205. 1680' NORTHWEST OF CL OF MIMS ROAD. ELEV = 529.11

BENCHMARK:  
 CITY OF ROCKWALL, TEXAS CONTROL MONUMENT #929. TOP OF HEADWALL IN NORTHWEST CORNER OF BRIDGE OVER SQUABBLE CREEK. SOUTHWESTERLY SIDE OF FM 205. ELEV = 524.55

THESE CONSTRUCTION PLANS WERE PREPARED UNDER THE RESPONSIBLE SUPERVISION OF DAN M. DOWDEY, REGISTERED PROFESSIONAL ENGINEER NO. 24433.

*Dan M. Dowdey* 3/2/03



NO.	DATE	BY	REVISION
1	3-3-03	DLH	CITY MARKUPS
1	3-31-03	DLH	CITY MARKUPS