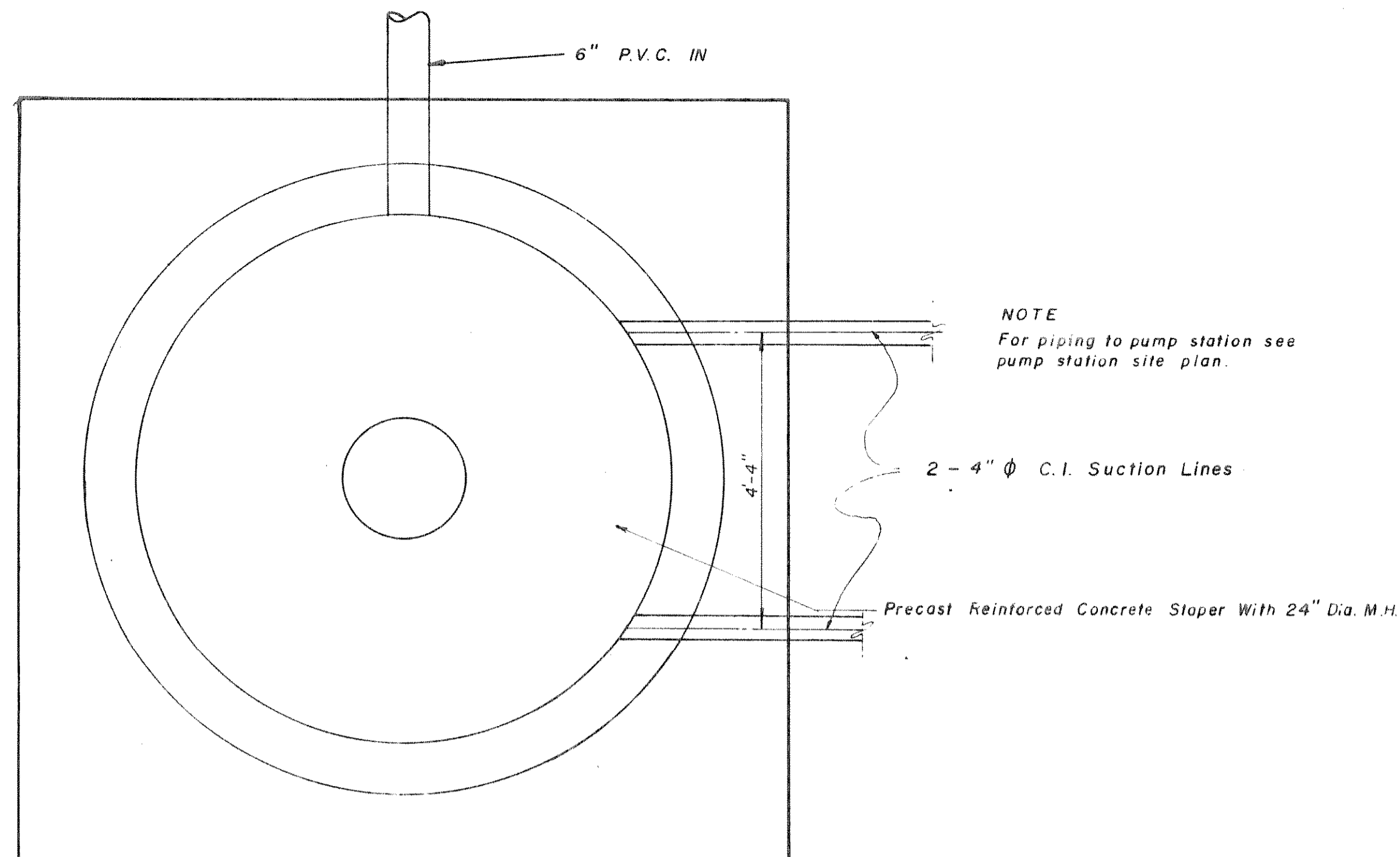
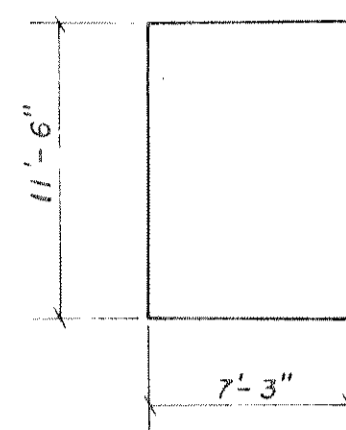


Top Wet Well
484.50

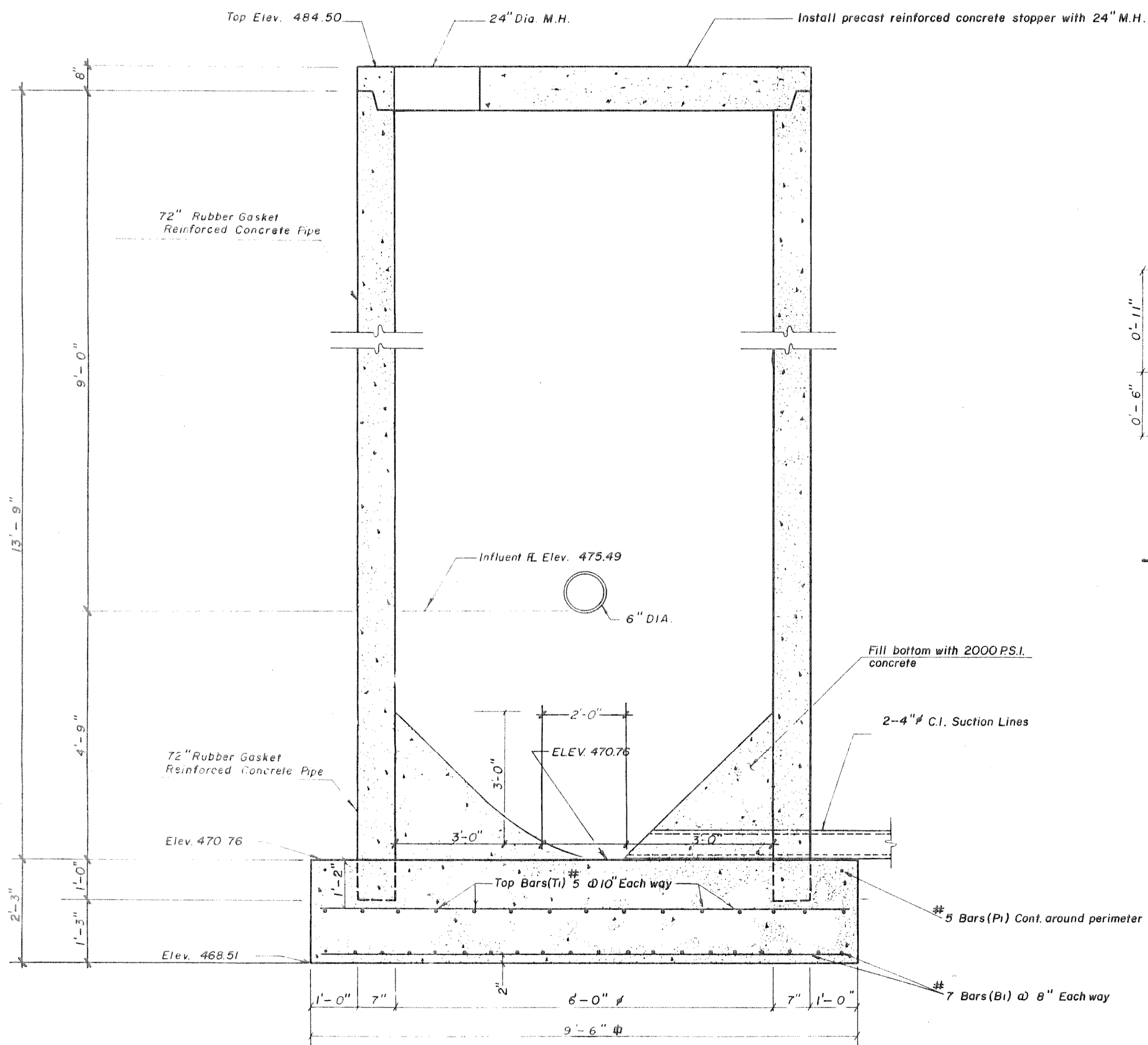


NOTE
For piping to pump station see
pump station site plan.

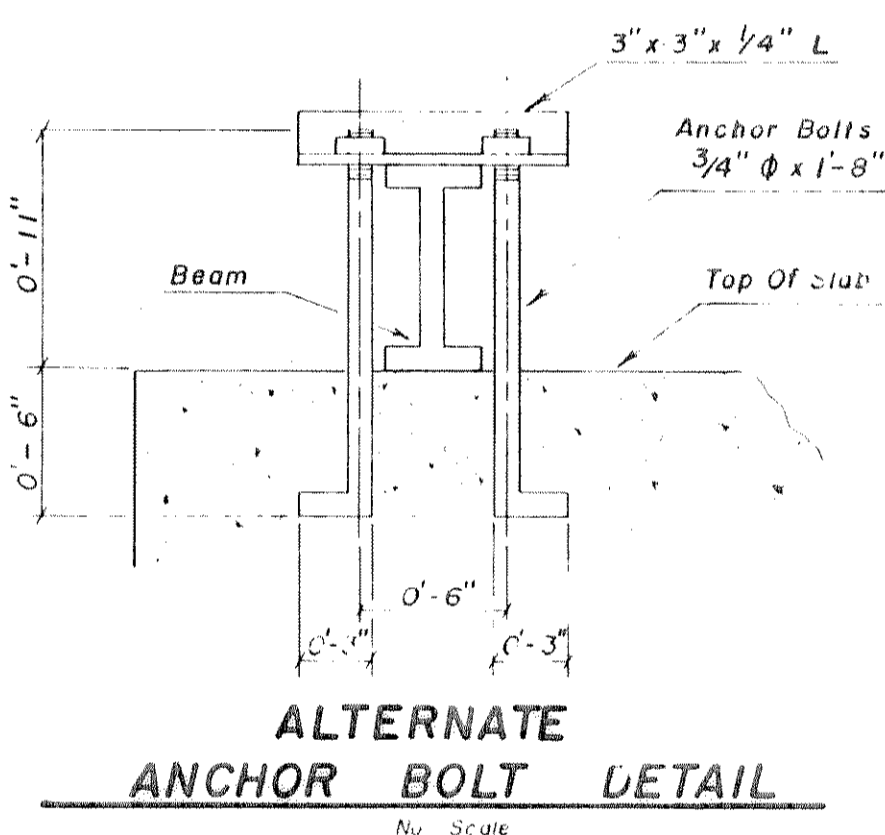


BARS PI
No Scale

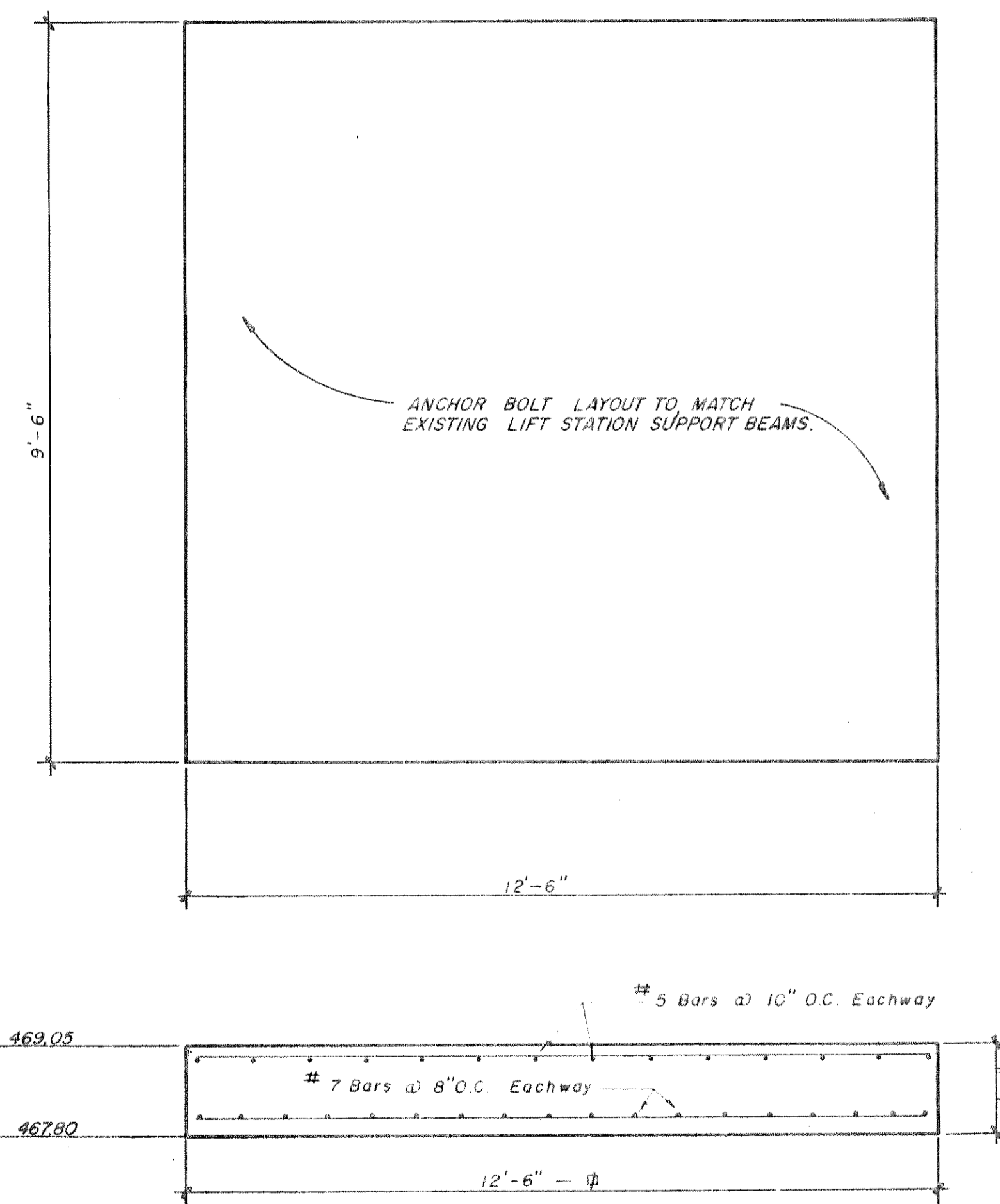
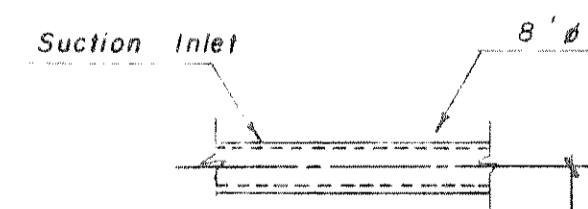
GENERAL NOTES
All concrete shall have a minimum strength of 3000 p.s.i. in 28 days.
Reinforcing steel shall conform to A.S.T.M. A615-40.



WET WELL
Not to Scale



ALTERNATE ANCHOR BOLT DETAIL
No Scale



LIFT STATION SLAB

6
7

WET WELL DETAILS				SANITARY SEWER IMPROVEMENTS	
FOR HARLAN PARK - PHASE ONE				ROCKWALL, TEXAS	
DESIGN H.L.E.	DRAWN B.D.W.	DATE 6-13-85	SCALE AS SHOWN	328-8132	HAROLD EVANS - CONSULTING ENGINEER