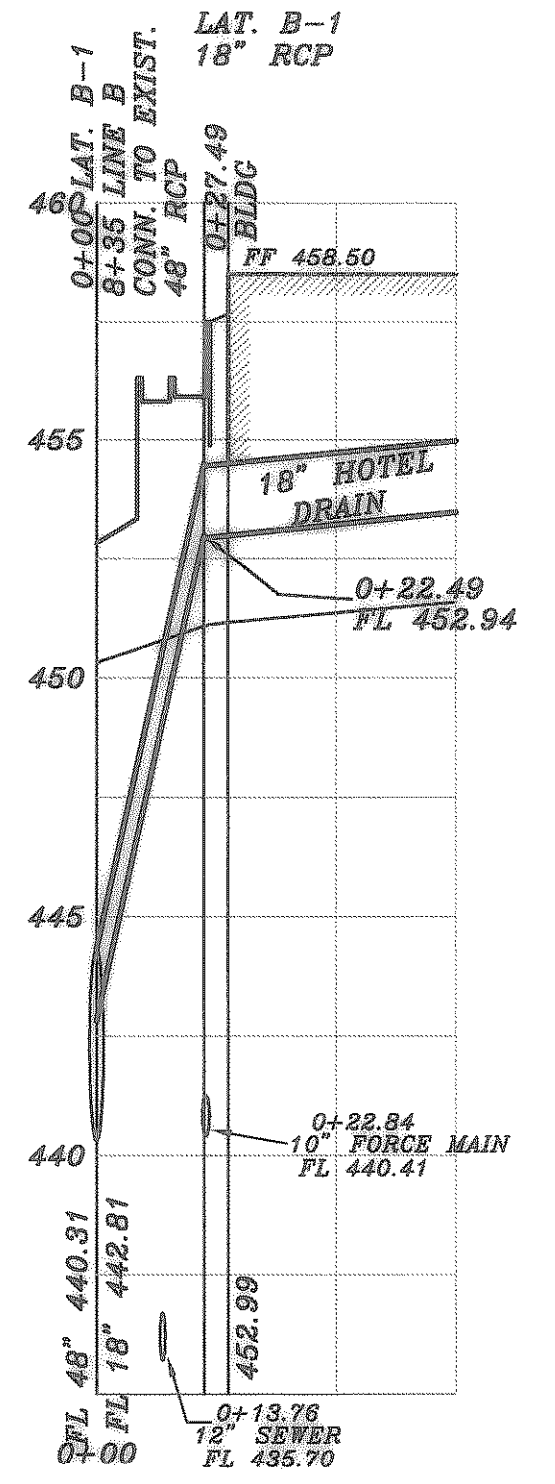
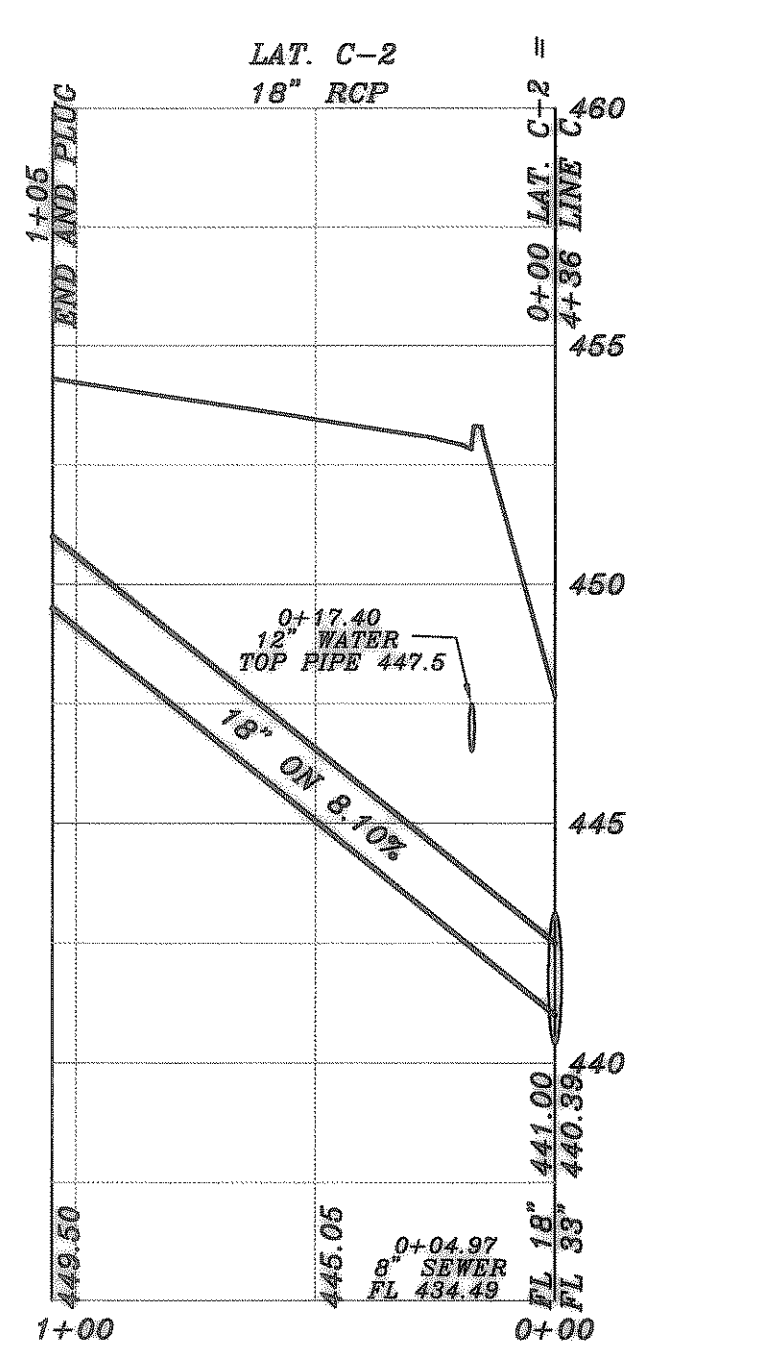
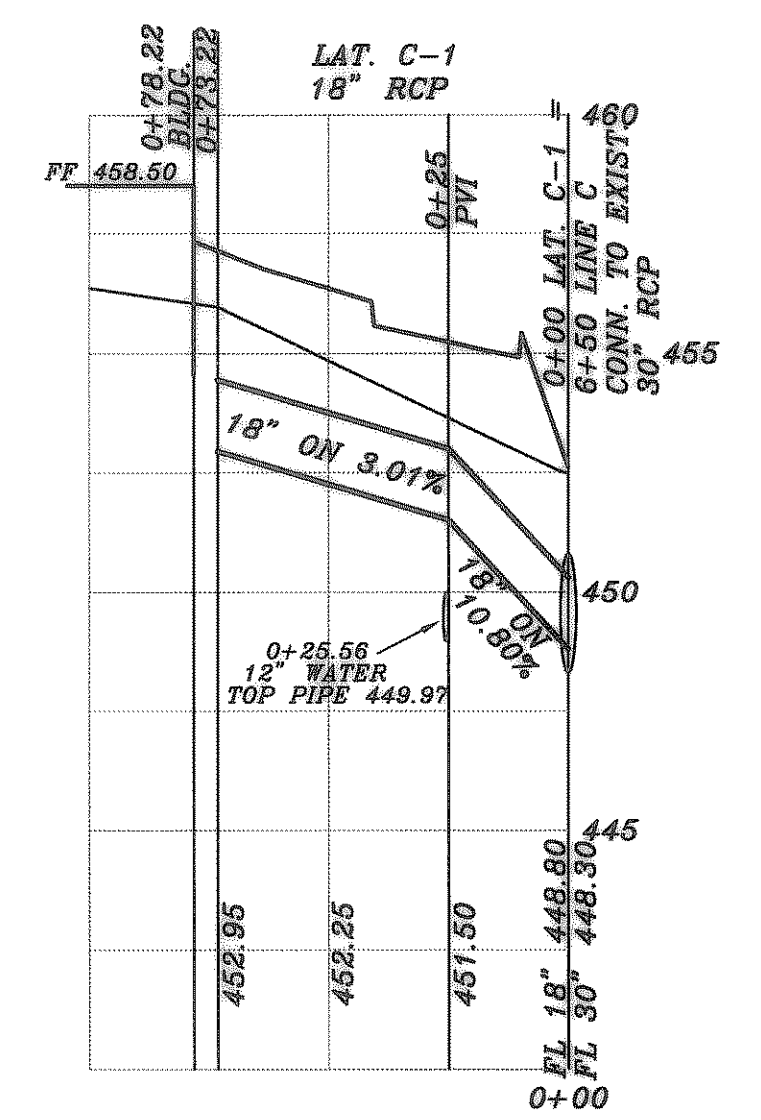
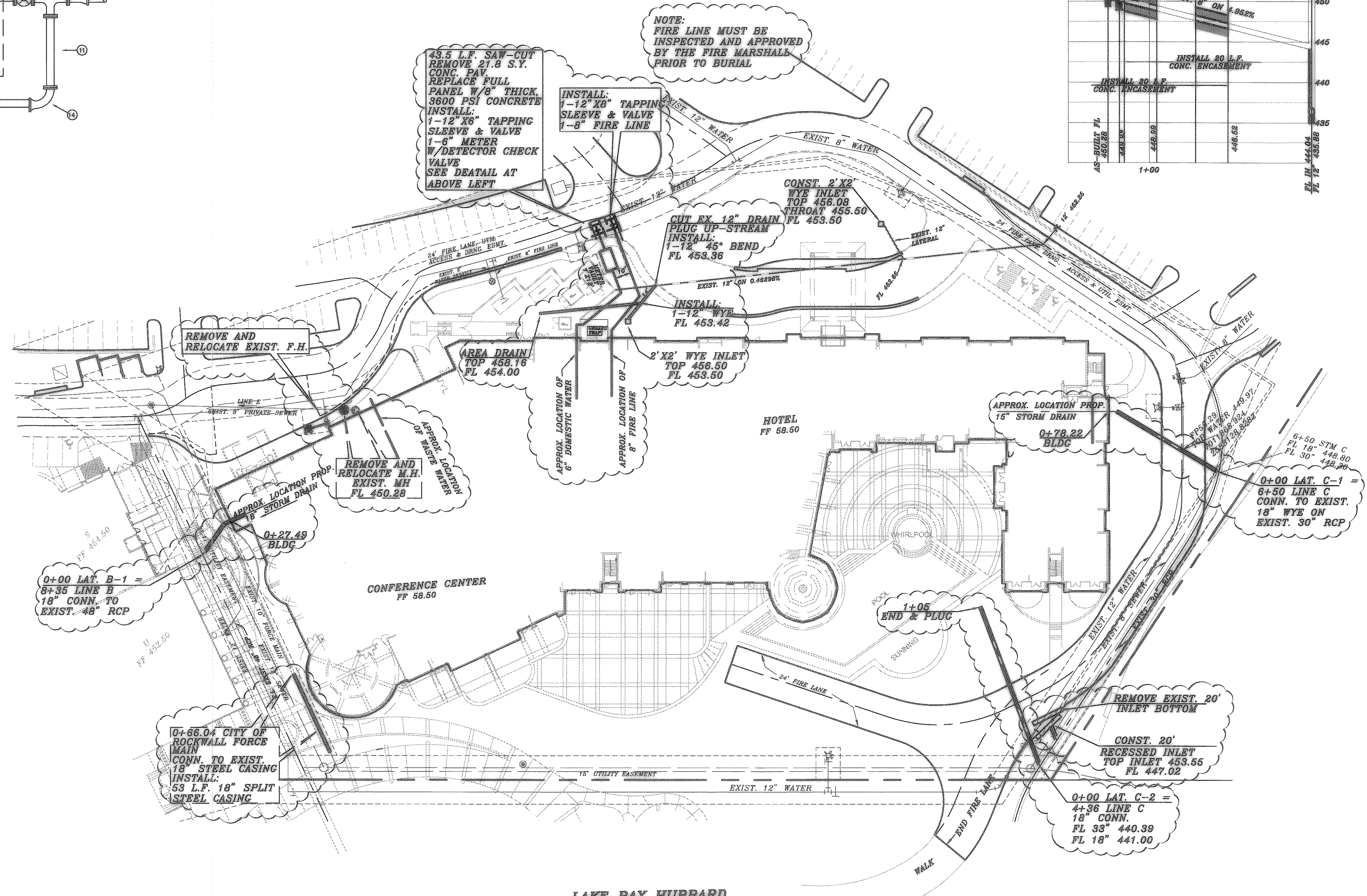
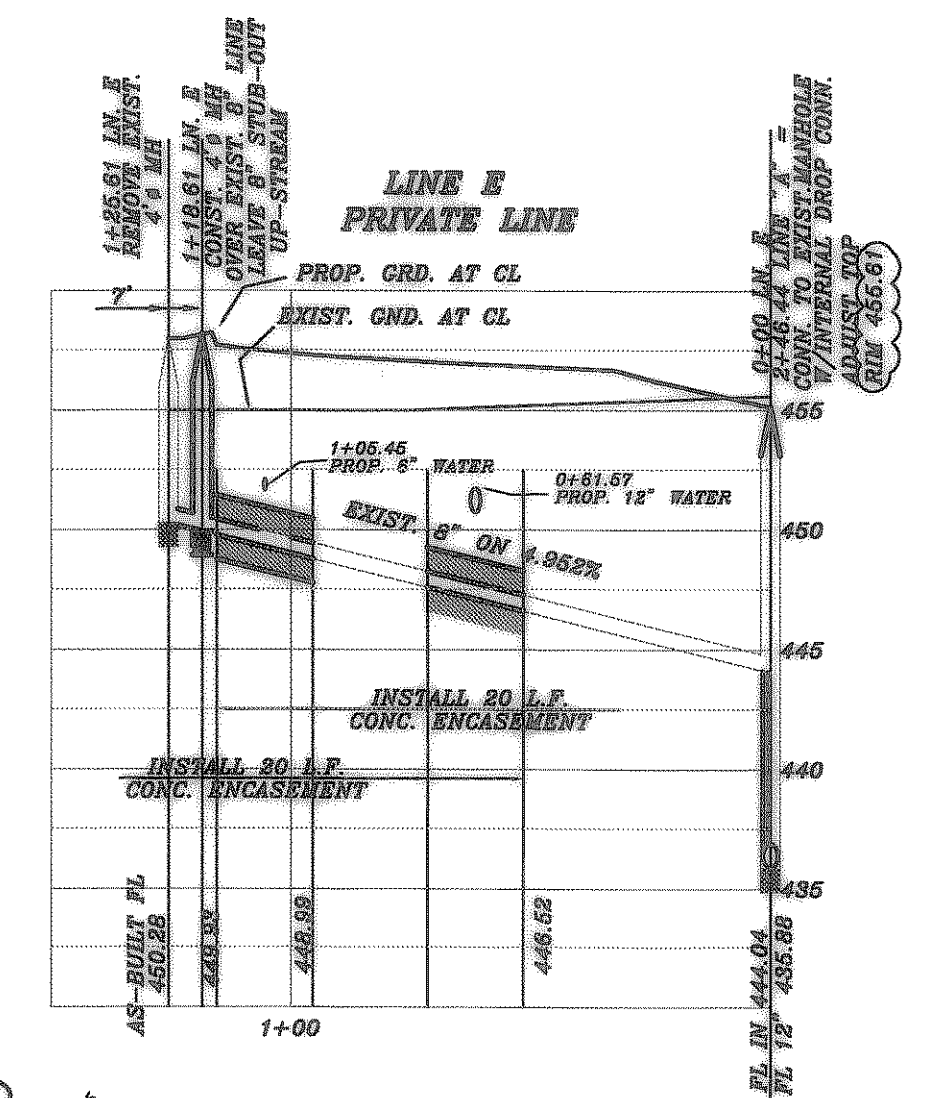
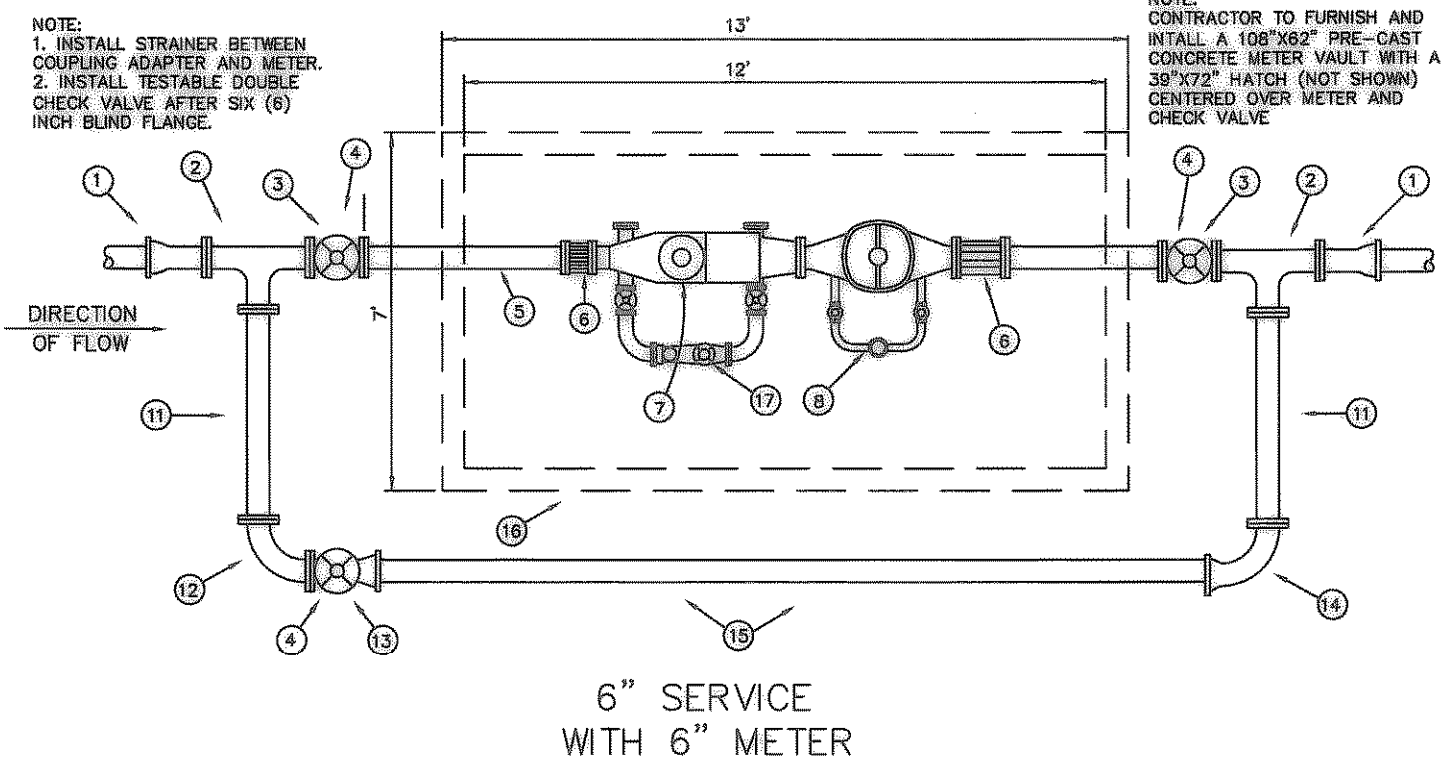


MATERIALS LIST			MATERIALS LIST		
PART NO.	QUANTITY	DESCRIPTION	PART NO.	QUANTITY	DESCRIPTION
1	2 EA.	6" X 12" D.I. NIPPLE M.J. X F.	1	2 EA.	6" X 30" D.I. NIPPLE F. X F.
2	2 EA.	6" D.I. BEND F. X F.	2	1 EA.	6" D.I. BEND F. X F.
3	1 EA.	6" GATE VALVE F. X F.	3	1 EA.	6" GATE VALVE F. X M.J.
4	1 EA.	6" VALVE STACK RISER COVER & LID	4	1 EA.	6" D.I. 90° BEND M.J. X F.
5	1 EA.	6" X 48" D.I. NIPPLE F. X SLEEVE	5	1 EA.	6" D.I. PIPE, CLASS 52, APPROX. 10'
6	1 EA.	6" FLANGED COUPLING ADAPTER	6	1 EA.	PRECAST METEER VAULT
7	1 EA.	6" METER AS SPECIFIED (TYPE F.M. SHOWN)	7	1 EA.	VAULT FLOOR (NOT SHOWN)
8	1 EA.	6" DOUBLE CHECK VALVE WITH 5/8" BY-PASS METER	8	1 EA.	ACCESS HATCH (NOT SHOWN)
			9	1 EA.	BY-PASS METER



Received from Engineer
 8/15/08
RECORD DRAWINGS



SOLID STRUCTURAL SOLUTIONS, INC. P.O. BOX 851880 MESQUITE, TX 75185-1880 PHONE: 314.417.8880 FAX: 972.355.9714		PROPOSED UTILITIES AND DRAINAGE		SHEET NO. 4
THE HARBOR HILTON THE HARBOR - ROCKWALL		CITY OF ROCKWALL		5
JOB NO. 0136HOTEL WSS		DATE 3/28/06	SCALE 1"=40' 1-4"	DESIGN H.L.E.
DRAWN		JOB NO. 0136		